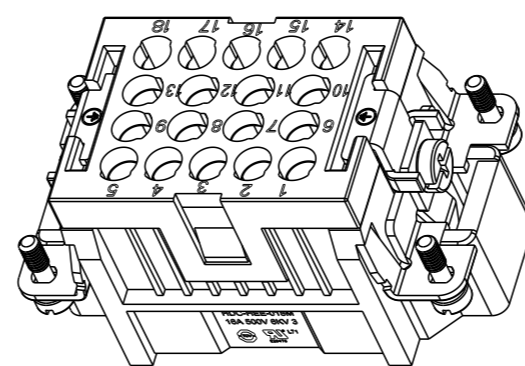
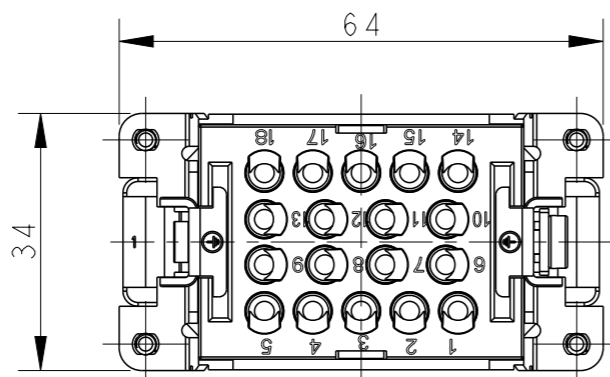


THIS DRAWING IS UNPUBLISHED. RELEASED FOR PUBLICATION 20  
 © COPYRIGHT 20 BY - ALL RIGHTS RESERVED.

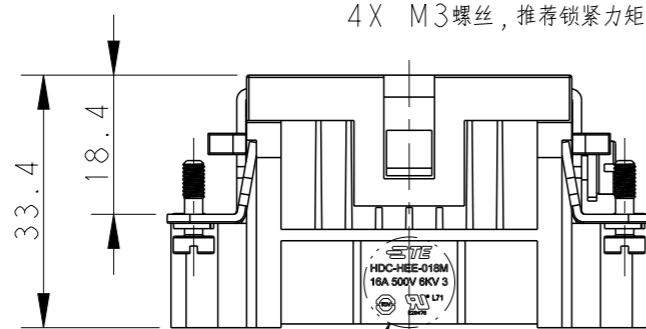
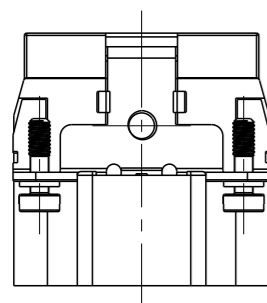
REVISIONS

P	LTR	DESCRIPTION	DATE	DWN	APVD
	B	ECR-15-014907	14OCT2015	DL	CW
	B1	ECR-16-013081	13SEP2016	DL	CW
	B2	ECR-16-015492	21NOV2016	QY	CW
	B3	ECR-19-012251	31AUG2019	WQR	CW

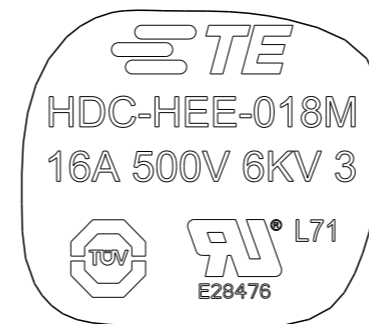
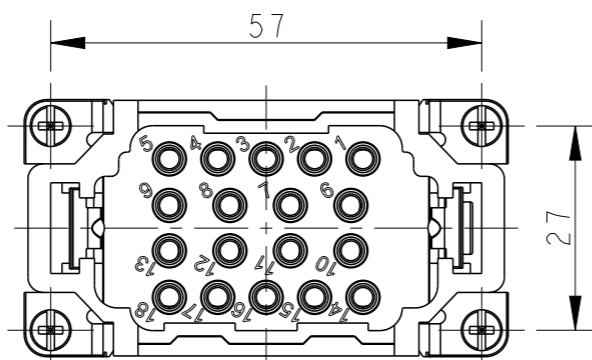


TYPE-1, T2050182101-000, TE LOGO  
 类型-1, T2050182101-000, TE LOGO

4X M3 SCREW, RECOMMENDED  
 TIGHTENING TORQUE 0.5Nm  
 4X M3螺丝, 推荐锁紧力矩0.5Nm



DETAIL A  
 M4 SCREW, RECOMMENDED  
 TIGHTENING TORQUE 1.2Nm  
 M4螺丝, 推荐锁紧力矩1.2Nm



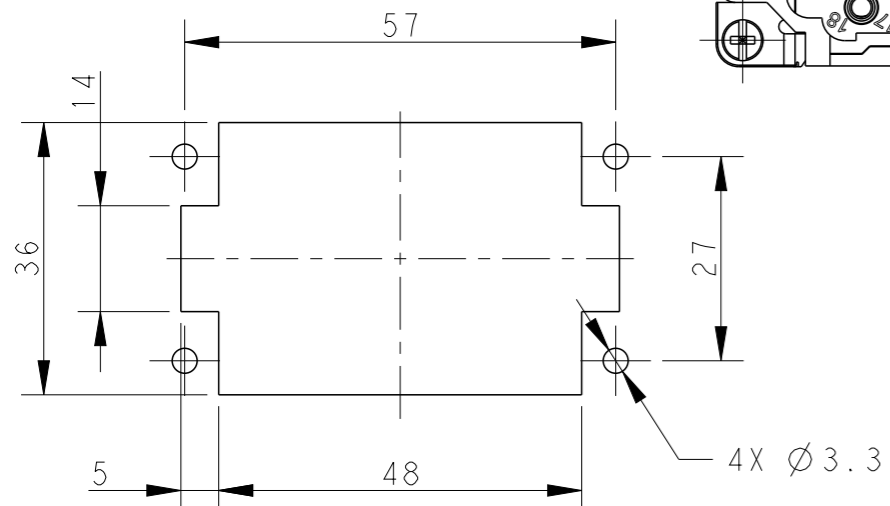
DETAIL A  
 SCALE 4:1

NOTES:

- TECHNICAL CHARACTERISTICS:  
 INSULATION MATERIAL: PC  
 RATED VOLTAGE: 500 V  
 RATED CURRENT: 16 A  
 INSULATION RESISTANCE:  $\geq 400M\Omega$   
 RATED IMPULSE VOLTAGE: 6 KV  
 POLLUTION DEGREE: 3  
 FLAMMABILITY: UL94V-0  
 MATING CYCLES: 500 CYCLES  
 WIRE RANGE: 0.14-4 mm<sup>2</sup> (26-12 AWG)  
 CONTACT TYPE: CRIMP CONTACT
- CONTACT NEED TO BE ORDERED SEPARATELY.  
 (ORDER No. T20300X10XX-000)

注释:

- 技术参数:  
 绝缘材料: PC  
 额定电压: 500V  
 额定电流: 16A  
 绝缘电阻:  $\geq 400M\Omega$   
 额定脉冲电压: 6 KV  
 污染等级: 3  
 阻燃等级: UL94V-0  
 插拔次数: 500次  
 接线范围: 0.14-4 mm<sup>2</sup> (26-12 AWG)  
 接线类型: 冷压接
- 端子需要单独订购。  
 (订货号 T20300X10XX-000)



PANEL CUT FOR INSERTS FOR USING  
 WITHOUT HOODS/ HOUSINGS  
 不使用防护外壳时芯件的安装开孔图

THIS DRAWING IS A CONTROLLED DOCUMENT.		DWN DAVID LI 10MAR2015		TE Connectivity	
DIMENSIONS: mm		CHK CHRIS WANG 10MAR2015			
TOLERANCES UNLESS OTHERWISE SPECIFIED:		APVD XIANG XU 10MAR2015		NAME HEE-018-M	
0 PLC ±-		PRODUCT SPEC 108-106137		SIZE A3	
1 PLC ±-		APPLICATION SPEC 114-106137		CAGE CODE -	
2 PLC ±-		WEIGHT -		DRAWING NO. C-T2050182101000	
3 PLC ±-		CUSTOMER DRAWING		RESTRICTED TO	
4 PLC ±-		SCALE 1:1		SHEET 1 OF 3	
ANGLES ±-		FINISH -		REV B3	
MATERIAL -		FINISH -			

4

3

2

1

THIS DRAWING IS UNPUBLISHED.

RELEASED FOR PUBLICATION

20

© COPYRIGHT 20

BY -

ALL RIGHTS RESERVED.

REVISIONS

P	LTR	DESCRIPTION	DATE	DWN	APVD
-	-	SEE SHEET 1	-	-	-

NOTE:

SEE SHEET 1

注释:

见页 1

DETAIL B

TYPE-2, T2059182101-000, NO TE LOGO  
 类型-2, T2059182101-000, 无TE LOGO

HDC-HEE-018M  
 16A 500V 6KV 3

DETAIL B  
 SCALE 4:1

ALL SPEC DIMENSION REFER TO TYPE 1  
 所有产品规格尺寸参照 TYPE 1

THIS DRAWING IS A CONTROLLED DOCUMENT.

DWN 10MAR2015

DAVID LI

CHK 10MAR2015

CHRIS WANG

APVD 10MAR2015

XIANG XU

PRODUCT SPEC

108-106137

APPLICATION SPEC

114-106137

WEIGHT

-

CUSTOMER DRAWING

TE Connectivity

NAME

HEE-018-M

SIZE

A3

CAGE CODE

-

DRAWING NO

C-T2050182101000

RESTRICTED TO

SCALE 1:1

SHEET 2 OF 3

REV B3

DIMENSIONS:

mm

TOLERANCES UNLESS OTHERWISE SPECIFIED:

0 PLC ±  
 1 PLC ±  
 2 PLC ±  
 3 PLC ±  
 4 PLC ±  
 ANGLES ±

MATERIAL

-

FINISH

-

1470-19 (3/13)

4

3

2

1

THIS DRAWING IS UNPUBLISHED.

RELEASED FOR PUBLICATION

20

© COPYRIGHT 20

BY -

ALL RIGHTS RESERVED.

REVISIONS

P	LTR	DESCRIPTION	DATE	DWN	APVD
-	-	SEE SHEET 1	-	-	-

NOTE:  
SEE SHEET 1

注释:  
见页 1

TYPE-3, T2050182101-001, STAINLESS STEEL SCREW, NO LOGO  
类型-3, T2050182101-001, 不锈钢螺丝, 无LOGO

ALL SPEC DIMENSION REFER TO TYPE 1  
所有产品规格尺寸参照 TYPE 1

T2050182101-001	HEE-018-M	HEE-018 MALE INSERT, STAINLESS STEEL SCREW, NO LOGO HEE-018 公插, 不锈钢螺丝, 无LOGO	TYPE-3 类型-3
T2059182101-000	HEE-018-M	HEE-018 MALE INSERT, NO TE LOGO HEE-018 公插, 无TE LOGO	TYPE-2 类型-2
T2050182101-000	HEE-018-M	HEE-018 MALE INSERT HEE-018 公插	TYPE-1 类型-1
PART NUMBER 料号	PART DESCRIPTION 描述		TYPE 类型

THIS DRAWING IS A CONTROLLED DOCUMENT.		DWN 10MAR2015 DAVID LI		
DIMENSIONS: mm		CHK 10MAR2015 CHRIS WANG		
TOLERANCES UNLESS OTHERWISE SPECIFIED:		APVD 10MAR2015 XIANG XU	NAME HEE-018-M	
0 PLC ±-		PRODUCT SPEC 108-106137	SIZE	
1 PLC ±-		APPLICATION SPEC 114-106137	CAGE CODE	
2 PLC ±-		WEIGHT	DRAWING NO	
3 PLC ±-		CUSTOMER DRAWING	RESTRICTED TO	
4 PLC ±-			SCALE 1:1	
ANGLES ±-			SHEET 3 OF 3	
FINISH			REV B3	
MATERIAL			DRAWING NO T2050182101000	

1470-19 (3/13)

# Mouser Electronics

Authorized Distributor

Click to View Pricing, Inventory, Delivery & Lifecycle Information:

[TE Connectivity:](#)

[T2059182101-000](#) [T2050182101-000](#)