
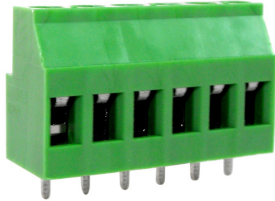


PCB TERMINAL BLOCKS

5.08mm Pitch High Power Rising Clamp Terminal Blocks

- 2 & 3 pole double interlocking mechanism for increased strength
- 4-12 pole solid block
- Moulded in green UL94-V0 flame retardant PA66
- Professional rising clamp terminals
- 0.2-4.0mm² (30-12AWG) solid cable
- 0.2-2.5mm² (30-12AWG) stranded cable
- Guided pin alignment
- Captive screw
-  approved

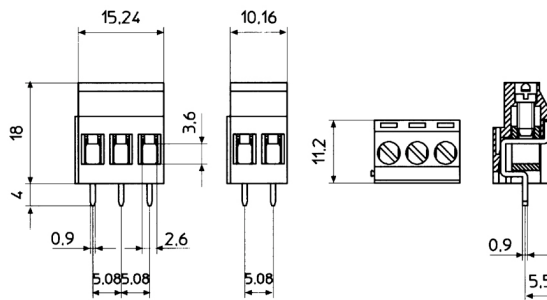
CTB0708



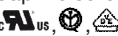
TYPE NO.	POLES	LENGTH
CTB0708/2	2	10.16mm
CTB0708/3	3	15.24mm
CTB0708/4	4	20.32mm
CTB0708/5	5	25.4mm
CTB0708/6	6	30.48mm
CTB0708/7	7	35.56mm
CTB0708/8	8	40.64mm
CTB0708/9	9	45.72mm
CTB0708/10	10	50.8mm
CTB0708/11	11	55.88mm
CTB0708/12	12	60.96mm

SPECIFICATION

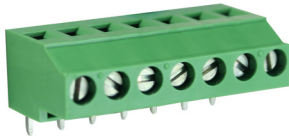
Rating	24A/320V UL=16A/300V, VDE&IMQ=24A/450V
Dielectric strength	≥2.5kV
Impulse withstand voltage	4kV
Working temperature	110°C
Moulding	UL94-V0 flame retardant PA66
Pin/terminal	Tinned, nickel plated brass
Rising clamp	Tinned, nickel plated brass
Screw/torque	M3 steel zinc plated, 0.5Nm
Recommended PCB hole size	ø1.5mm



5.08mm Pitch High Power 90° Rising Clamp Terminal Blocks

- 2 & 3 pole double interlocking mechanism for increased strength
- 4-12 pole solid block
- Moulded in green UL94-V0 flame retardant PA
- Professional rising clamp terminals
- 0.2-4.0mm² (30-12AWG) solid cable
- 0.2-2.5mm² (30-12AWG) stranded cable
- Guided pin alignment
- Captive screw
-  approved

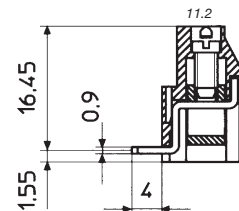
CTB0758



TYPE NO.	POLES	LENGTH
CTB0758/2	2	10.16mm
CTB0758/3	3	15.24mm
CTB0758/4	4	20.32mm
CTB0758/5	5	25.4mm
CTB0758/6	6	30.48mm
CTB0758/7	7	35.56mm
CTB0758/8	8	40.64mm
CTB0758/9	9	45.72mm
CTB0758/10	10	50.8mm
CTB0758/11	11	55.88mm
CTB0758/12	12	60.96mm

SPECIFICATION

Rating	24A/320V UL=16A/300V, VDE&IMQ=24A/450V
Dielectric strength	≥2.5kV
Impulse withstand voltage	4kV
Working temperature	110°C
Moulding	UL94-V0 flame retardant PA
Pin/terminal	Tinned, nickel plated brass
Rising clamp	Tinned, nickel plated brass
Screw/torque	M3 steel zinc plated, 0.5Nm
Recommended PCB hole size	ø1.5mm



For other dimensions see CTB0708

PCB
TERMINAL
BLOCKS

INTER-
CONNECTION

FUSES &
FUSE-
HOLDERS

LEDs &
INDICATORS

MINIATURE
SWITCHES

LIMIT &
SAFETY
SWITCHES

CONTROL
PRODUCTS

INTERFACE
MODULES &
SUPPORTS

RELAY
BASES

DIN RAIL
ENCLOSURES

BATTERIES

SOLAR
PANELS

TRANS-
FORMERS