



# E-NETTR 10/100/1000 Base-T Transformer Module

P/N: H2466G

- \* Designed to meet IEEE802.3ab requirement
- \* Lead-Free & Designed to meet RoHS requirement
- \* Designed to meet IR 255°C peak Requirement.
- \* Operating temperature range: 0°C to +70°C
- \* Storage temperature range: 0°C to +70°C



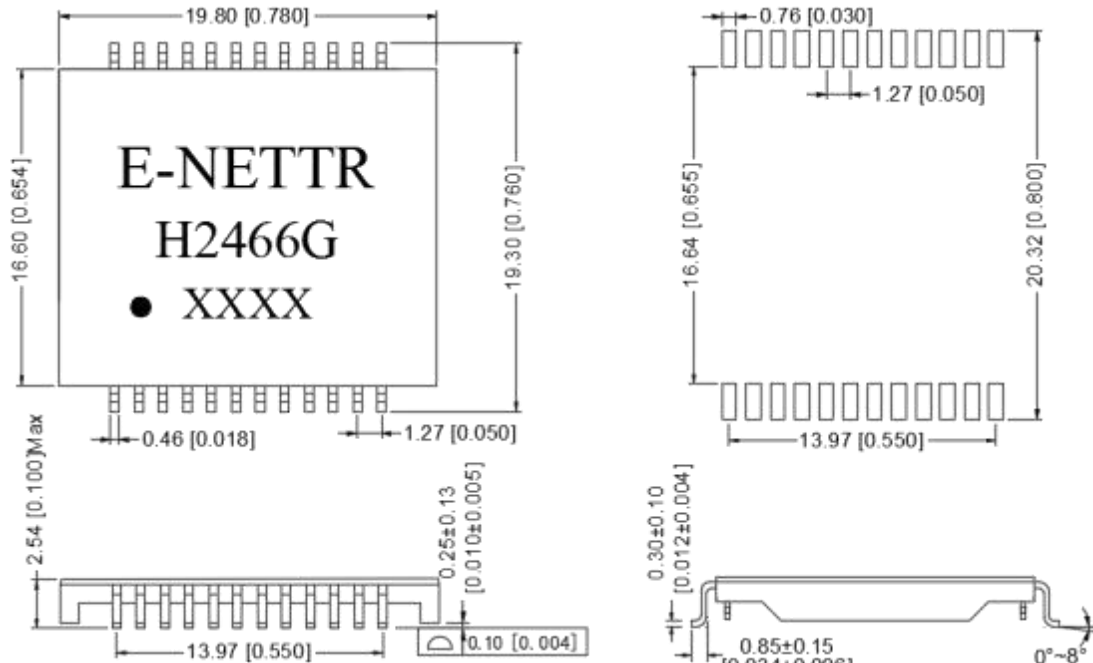
## Electrical Specifications@25° C

Part Number	Turn Ratio (±3%)	OCL(uH Min) @ 100KHz/0.1V with 8mADC Bias	L.L (uH Max)	C <sub>w/w</sub> (pF Max)	DCR (Ω Max)	Hi-Pot (Vrms MIN)
H2466G	1CT:1CT	350	0.5	28	1.4	AC 1500/ 1mA

## Continue

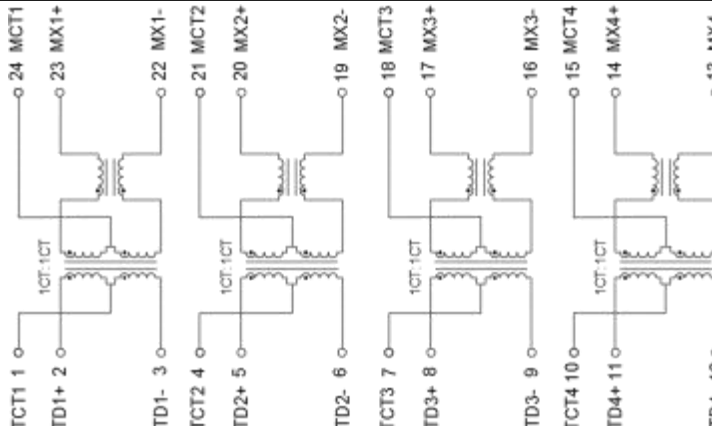
Part Number	Insertion Loss 0.3~100MHZ (dB Max)	Return Loss (dB Min)					Cross Talk (dB Min)			DCMR (dB Min)		
		0.3-30MHz	40MHz	50MHz	60-80MHz	80-100MHz	30MHz	60MHz	100MHz	30MHz	60MHz	100MHz
H2466G	-1.1	-18	-14.4	-13.1	-12	-10	-42	-37	-33	-40	-35	-30

## Mechanical



Unless:mm[inch] Tolerances: xx.xo± 0.25[0.010]  
o.xx± 0.05[0.002]

## Schematic



东莞市祥星电子有限公司

地址: 东莞市石碣镇横滘科技中路第三工业区

Miss Xie:13549396638

TEL:0769-86384669

FAX:0769-81813600

Http://www.e-nettr.com

[xingguang@e-nettr.com](mailto:xingguang@e-nettr.com)