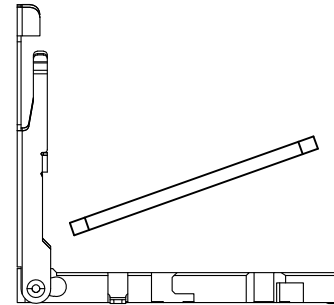
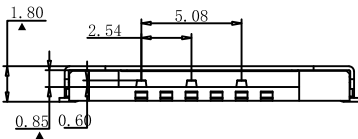
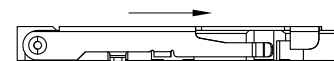


MICRO SIM

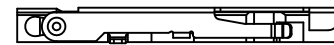
PIN NO.	NAME	PIN NO.	NAME
C1	VCC	C4	VPP
C2	GND	C5	CLK
C3	RST	C6	IO



STEP 1 INSERT MICRO SIM CARD



STEP 2 PUSH THE SHELL



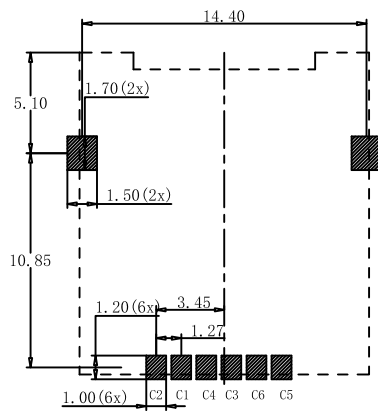
STEP 3 FINISH

一、材质和镀涂:

- 1、胶芯: LCP, UL 94 V - 0, 黑色
- 2、端子: 磷铜C5210-H, T=0.15, 镍底镀金
- 3、外壳: 不锈钢 T=0.2

二、技术参数:

- 接触电阻: 100mΩ Max
- 绝缘阻抗: 1000MΩ Min(500DC)
- 额定电流: 每个接触件1A Max
- 额定电压: 30V Max (DC)
- 耐 压: 500V r.m.s/min
- 使用温度: -40℃~85℃
- 湿 度: 80% R.H MAX
- 寿 命: >3000次



PCB LAYOUT



深圳市华宇创精密电子有限公司

TOLERANCE: XX ±0.30 XXX ±0.25 XXXX ±0.15 X° ±2° XX° ±0.5°	DRAWN BY : 陈一鸣	DATE : 2021-02-25	PART NAME: MICRO SIM 6PIN 掀盖式1.8H
	CHECKED BY: 马跃	DATE : 2021-02-25	PART NO. HYCW02-SIM06-180B
UNIT: mm [inch] SCALE:1:1 SIZE: A4	APPROVED BY: 邱敏	DATE : 2021-02-25	MOLD NO. _____ DRAW NO: HYC-SIM2102251042 SHEET NO. 1 OF 1