



Description

The SGM321XC5/TR (single) is general purpose, low offset, high frequency response and low power operational amplifiers. With an excellent bandwidth of 1MHz, a slew rate of 1V/us, and a quiescent current of 28uA per amplifier at 5V, the SGM321XC5/TR family can be designed into a wide range of applications. The SGM321XC5/TR op-amps is designed to provide optimal performance in low voltage and low power systems. The input common-mode voltage range includes ground, and the maximum input offset voltage are 3mV.

These parts provide rail-to-rail output swing into heavy loads.

The SGM321XC5/TR families of operational amplifiers is specified at the full temperature range of -55°C to +125°C under single or dual power supplies of 1.5V to 5.5V.

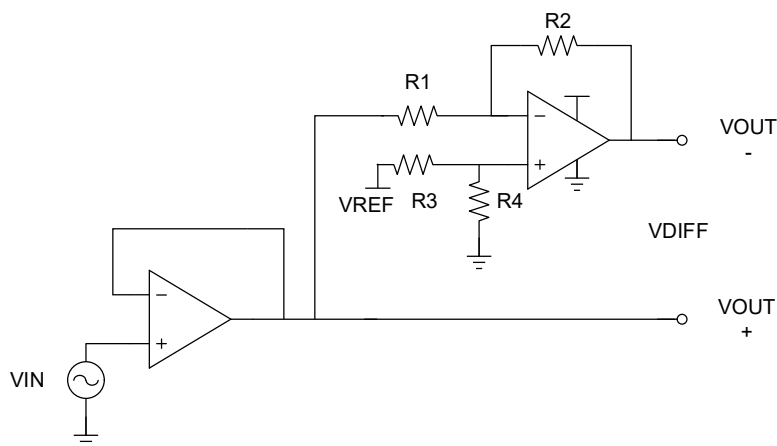
Features

- Input Offset Voltage: 1mV(Typical)
- Low Supply Current: 28uA($V_s=5V$)
- Supply Range: 1.5V to 5.5V
- Gain Bandwidth: 1MHz($V_s=5V$)
- Slew rate: 1V/us($V_s=5V$)
- Rail-to-Rail Input and Output
- Low Cost

Applications

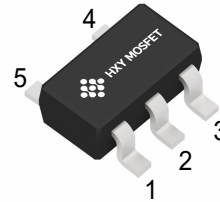
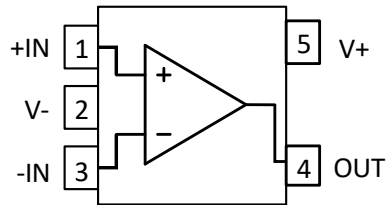
- Battery and Power Supply Control
- Audio Outputs
- Smoke/Gas/Environment Sensors
- Portable Equipment and Mobile Devices
- Sensor Interfaces
- Active Filters
- Medical Equipment

Typical Application





Pin Configuration and Functions (Top View) Pin Description



SOT-353

PIN		I/O	Description
Name	Number		
+IN	1	I	Positive (noninverting) input
-IN	3	I	Negative (inverting) input
OUT	4	O	Output
V-	2	-	Positive (highest) power supply
V+	5	-	Negative (lowest) power supply



Absolute Maximum Ratings ⁽¹⁾

		Min	Max	Unit
Voltage	Supply Voltage		6	V
	Signal Input Terminals Voltage ⁽²⁾	(V-) - 0.5	(V+) + 0.5	V
	Signal Input Terminals Voltage ⁽³⁾	(V-) - 0.5	(V+) + 0.5	V
Current	Signal Input Terminals Current ⁽²⁾	-10	10	mA
	Signal output Terminals Current ⁽³⁾	-200	200	mA
	Output Short-Circuit ⁽⁴⁾	Continuous		
θ_{JA}	Operating Temperature Range	-55	125	°C
	Storage Temperature Range	-65	150	°C
	Junction Temperature	-40	150	°C

(1) Stresses above these ratings may cause permanent damage. Exposure to absolute maximum conditions for extended periods may degrade device reliability. These are stress ratings only, and functional operation of the device at these or any other conditions beyond those specified is not implied.

(2) Input terminals are diode clamped to the power-supply rails. Input signals that can swing more than 0.5V beyond the supply rails should be current limited to 10mA or less.

(3) Output terminals are diode-clamped to the power-supply rails. Output signals that can swing more than 0.5V beyond the supply rails should be current-limited to ± 200 mA or less.

(4) Short-circuit to ground, one amplifier per package.

ESD Ratings

		Value	Unit
$V_{(ESD)}$	Electrostatic discharge	Human-Body Model (HBM)	± 2000
		Charged-Device Model (CDM)	± 500
		Machine Model	100

Recommended Operating Conditions

		Min	Max	Unit
Supply voltage, $V_s = (V+) - (V-)$	Single-supply	1.5	5.5	V
	Dual-supply	± 0.75	± 2.75	V



Electrical Characteristics ($V_S = +5V$)

At $T_A = 25^\circ C$, $V_{CM}=V_{OUT}= V_S / 2$, unless otherwise noted.

Parameter		Conditions	Min	Typ	Max	Unit
Offset Voltage						
V_{OS}	Input Offset Voltage		-3	± 1	3	mV
dV_{OS}/dT	Input Offset Voltage Average Drift	$T_A = -55^\circ C$ to $125^\circ C$		1.8		$\mu V/^\circ C$
Input Current						
I_B	Input Bias Current			5		pA
I_{OS}	Input Offset Current			1		pA
Noise						
V_N	Input Voltage Noise	$f=0.1Hz$ to $10Hz$		20		μV_{PP}
e_n	Input Voltage Noise Density	$f=1kHz$		65		nV/\sqrt{Hz}
Input Voltage						
V_{CM}	Common-Mode Voltage Range		$V_S-0.1$		$V_S+0.1$	V
CMRR	Common-Mode Rejection Ratio	$V_{CM}=0.1V$ to $4V$	70	80		dB
Frequency Response						
GBW	Gain-Bandwidth Product			1		MHz
SR	Slew Rate	$G = +1$, $V_{IN}=2V$ Step		1		V/us
t_s	Settling Time to 0.1%	$G = +1$, $V_{IN}=2V$ Step		2.5		us
Output						
A_V	Open-Loop Voltage Gain	$V_{OUT}=0.1V$ to $4.9V$ $R_L=100k\Omega$	80	100		dB
$V_{OUT-SWING}$	Output Swing from Rail	$R_L=100k\Omega$			5	mV
I_{SC}	Output Short-Circuit Current	Source current		45		mA
		Sink current		70		mA
$C_L^{(1)}$	Capacitive Load Drive	$G = +1$, $V_{IN}=0.2V$ Step			1000	pF



Power Supply						
PSRR	Power-Supply Rejection Ratio	$V_s=1.5V$ to $5.5V$	80	90		dB
V_s	Operating Voltage Range		1.5		5.5	V
I_Q	Quiescent Current/Amplifier	$I_o=0A$		28	40	μA

(1) Capacitive load drive means that above a given maximum value, the output waveform will oscillate under the step response.



Typical Characteristics

At $T_A = 25^\circ\text{C}$, $V_S = +5\text{V}$, $G=+1$, $V_{IN}=V_{OUT}= V_S / 2$, unless otherwise noted.

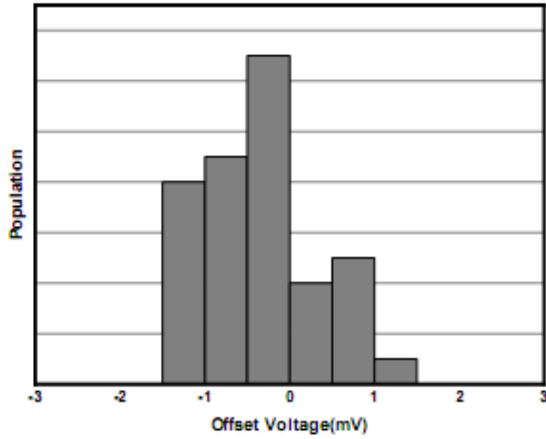


Figure 2. Offset Voltage Production Distribution

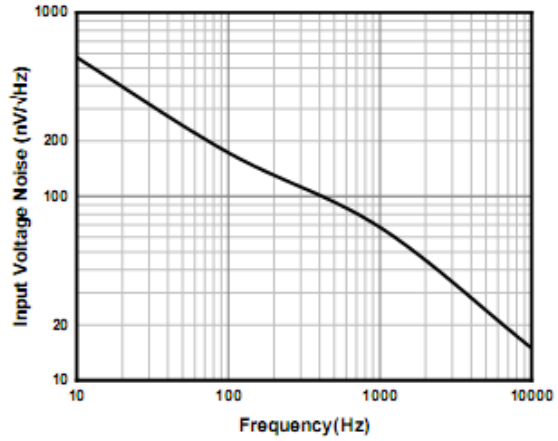


Figure 3. Input Voltage Noise Spectral Density

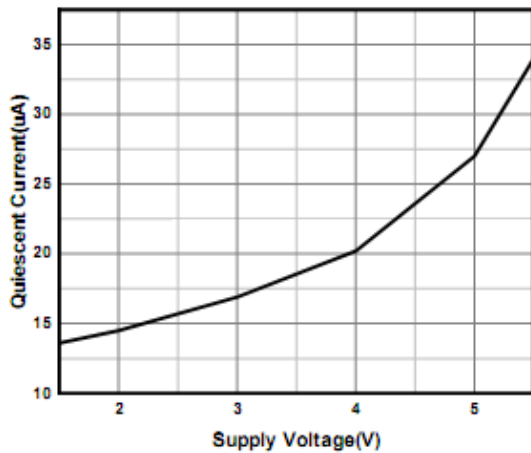


Figure 4. Quiescent Current vs Supply Voltage

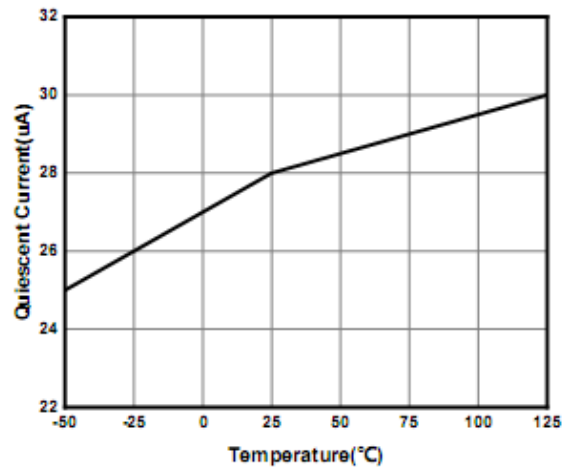


Figure 5. Quiescent Current vs Temperature

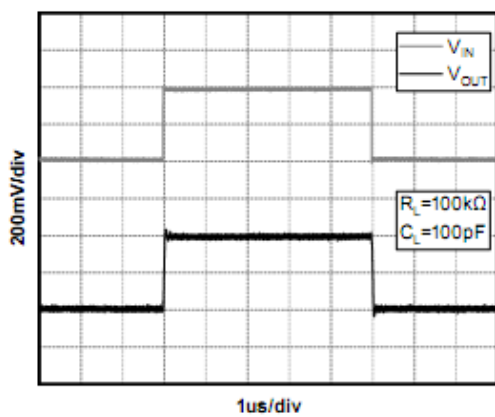


Figure 6. Small-Signal Step Response($V_S=5\text{V}$)

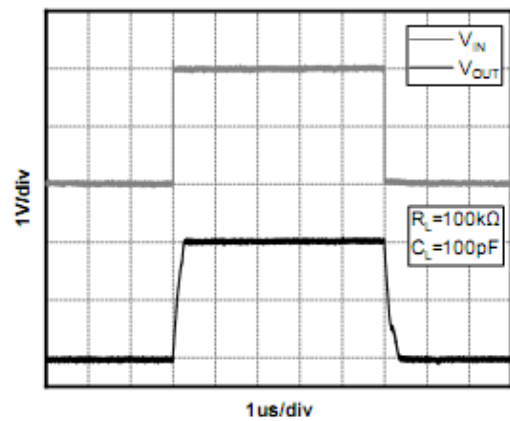


Figure 7. Large-Signal Step Response($V_S=5\text{V}$)

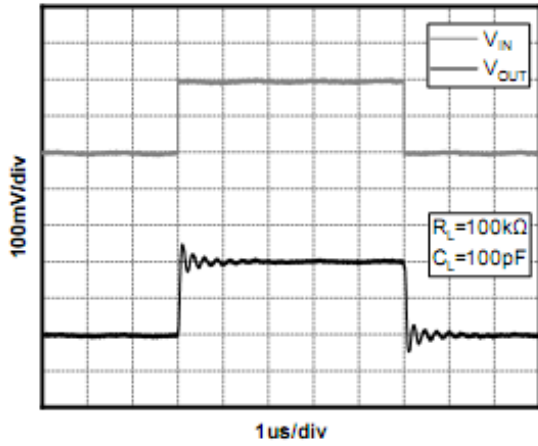


Figure 8. Small-Signal Step Response($V_S=1.5V$)

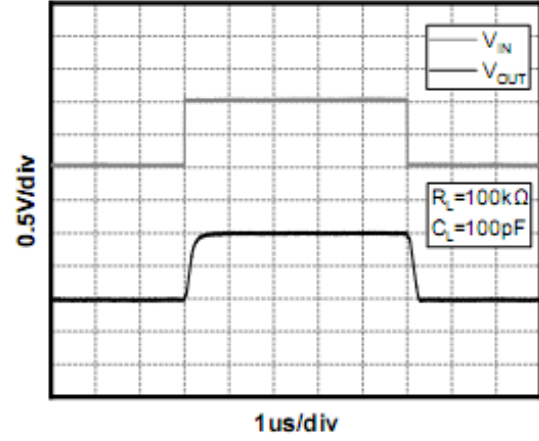


Figure 9. Large-Signal Step Response($V_S=1.5V$)

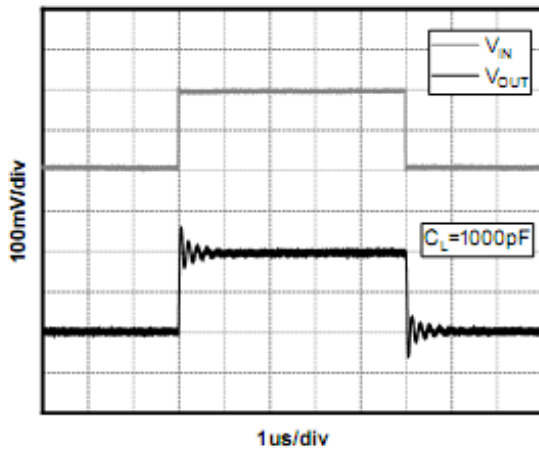


Figure 10. Capacitive Load Drive($C_L=1000pF$)

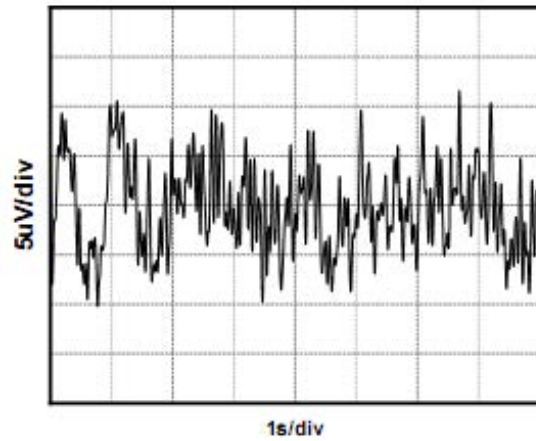


Figure 11. 0.1Hz to 10Hz Noise



Detailed Description

Overview

The SGM321XC5/TR devices is a low power, unity-gain stable, rail-to-rail operational amplifier that operate in a single-supply voltage range of 1.5V to 5.5V ($\pm 0.75\text{V}$ to $\pm 2.75\text{V}$). A high supply voltage of 6V(absolute maximum) can permanently damage the amplifier. Rail-to-rail input and output wobbles significantly increase the dynamic range, especially in low-supply applications. Good layout practices require that a 0.1uF capacitor be used where it is tightly threaded through the power supply pin.

Phase Reversal Protection

The SGM321XC5/TR devices have internal phase-reversal protection. Many opamps exhibit phase reversal when the input is driven beyond the linear common-mode range. This condition is most often encountered in noninverting circuits when the input is driven beyond the specified common-mode voltage range, causing the output to reverse into the opposite rail. The input of the SGM321XC5/TR prevents phase reversal with excessive commonmode voltage. Instead, the appropriate rail limits the output voltage.

Typical Applications

1 Voltage Follower

As shown in Figure 12, the voltage gain is 1. With this circuit, the output voltage V_{OUT} is configured to be equal to the input voltage V_{IN} . Due to the high input impedance and low output impedance, the circuit can also stabilize the output voltage, the output voltage expression is

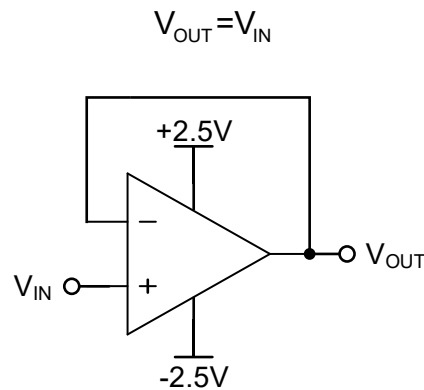


Figure 12. Voltage Follower

2 Inverting Proportional Amplifier

As shown in Figure 13, for a reverse-phase proportional amplifier, the input voltage V_{IN} is amplified by a voltage gain that depends on the ratio of R_1 to R_2 . The output voltage V_{OUT} is inversely with the input voltage V_{IN} . The input impedance of the circuit is equal to R_1 , and the output voltage expression is

$$V_{OUT} = -\frac{R_2}{R_1} V_{IN}$$

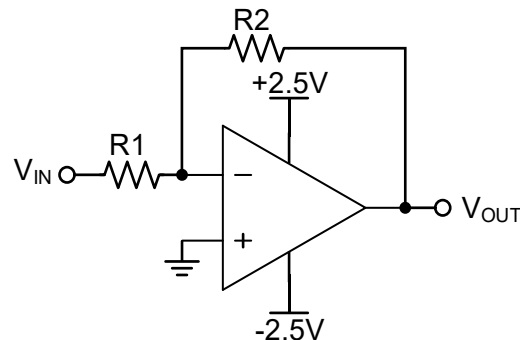


Figure 13. Inverting Proportional Amplifier

3 Noninverting Proportional Amplifier

As shown in Figure 14, for a noninverting amplifier, the input voltage V_{IN} is amplified by a voltage gain that depends on the ratio of $R1$ to $R2$. The output voltage V_{OUT} is in phase with the input voltage V_{IN} . In fact, this circuit has a high input impedance because its input side is the same as the input side of the operational amplifier. The output voltage expression is

$$V_{OUT} = \left(1 + \frac{R2}{R1}\right) V_{IN}$$

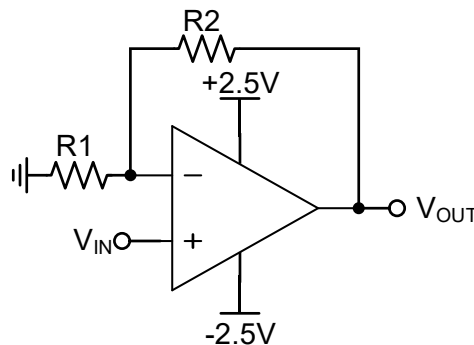


Figure 14. Noninverting Proportional Amplifier

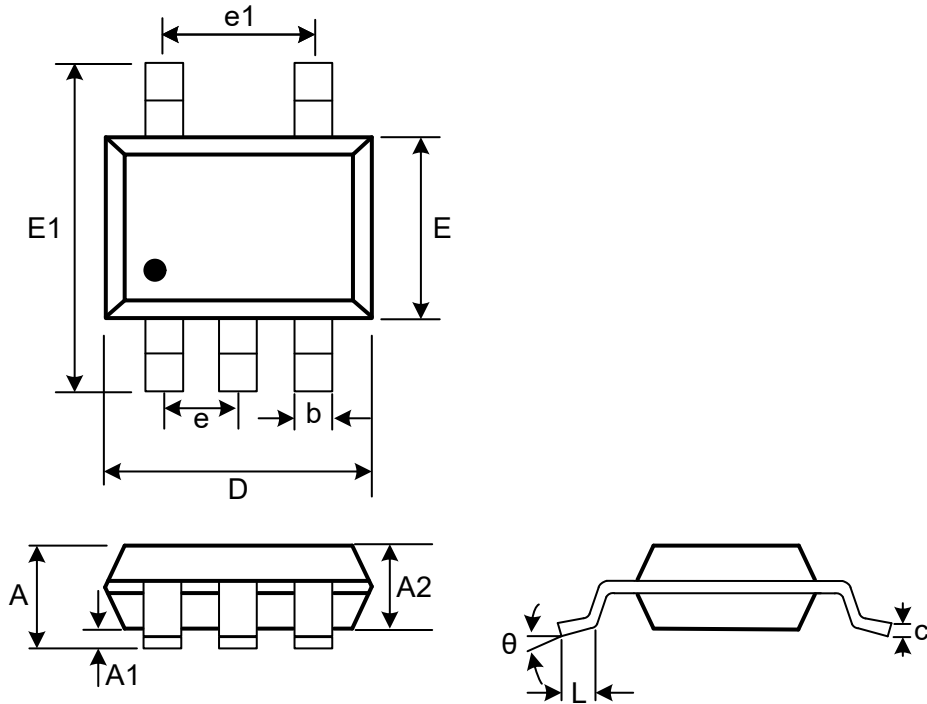
Layout Guidelines

Attention to good layout practices is always recommended. Keep traces short. When possible, use a PCB ground plane with surface-mount components placed as close to the device pins as possible. Place a 0.1uF capacitor closely across the supply pins.

These guidelines should be applied throughout the analog circuit to improve performance and provide benefits such as reducing the EMI susceptibility.



Package Outline Dimensions
SOT-353(SC70-5L)



(Unit: mm)

Symbol	Min	Max
A	0.8	1.1
A1	0	0.1
b	0.15	0.3
c	0.15	
D	1.85	2.15
e	0.65 (BSC)	
e1	1.3 (BSC)	
E	1.1	1.4
E1	1.8	2.4
L	0.26	0.46
θ	0°	8°



Attention

- Any and all HUA XUAN YANG ELECTRONICS products described or contained herein do not have specifications that can handle applications that require extremely high levels of reliability, such as life-support systems, aircraft's control systems, or other applications whose failure can be reasonably expected to result in serious physical and/or material damage. Consult with your HUA XUAN YANG ELECTRONICS representative nearest you before using any HUA XUAN YANG ELECTRONICS products described or contained herein in such applications.
- HUA XUAN YANG ELECTRONICS assumes no responsibility for equipment failures that result from using products at values that exceed, even momentarily, rated values (such as maximum ratings, operating condition ranges, or other parameters) listed in products specifications of any and all HUA XUAN YANG ELECTRONICS products described or contained herein.
- Specifications of any and all HUA XUAN YANG ELECTRONICS products described or contained herein stipulate the performance, characteristics, and functions of the described products in the independent state, and are not guarantees of the performance, characteristics, and functions of the described products as mounted in the customer's products or equipment. To verify symptoms and states that cannot be evaluated in an independent device, the customer should always evaluate and test devices mounted in the customer's products or equipment.
- HUA XUAN YANG ELECTRONICS CO.,LTD. strives to supply high-quality high-reliability products. However, any and all semiconductor products fail with some probability. It is possible that these probabilistic failures could give rise to accidents or events that could endanger human lives, that could give rise to smoke or fire, or that could cause damage to other property. When designing equipment, adopt safety measures so that these kinds of accidents or events cannot occur. Such measures include but are not limited to protective circuits and error prevention circuits for safe design, redundant design, and structural design.
- In the event that any or all HUA XUAN YANG ELECTRONICS products(including technical data, services) described or contained herein are controlled under any of applicable local export control laws and regulations, such products must not be exported without obtaining the export license from the authorities concerned in accordance with the above law.
- No part of this publication may be reproduced or transmitted in any form or by any means, electronic or mechanical, including photocopying and recording, or any information storage or retrieval system, or otherwise, without the prior written permission of HUA XUAN YANG ELECTRONICS CO.,LTD.
- Information (including circuit diagrams and circuit parameters) herein is for example only ; it is not guaranteed for volume production. HUA XUAN YANG ELECTRONICS believes information herein is accurate and reliable, but no guarantees are made or implied regarding its use or any infringements of intellectual property rights or other rights of third parties.
- Any and all information described or contained herein are subject to change without notice due to product/technology improvement, etc. When designing equipment, refer to the "Delivery Specification" for the HUA XUAN YANG ELECTRONICS product that you intend to use.