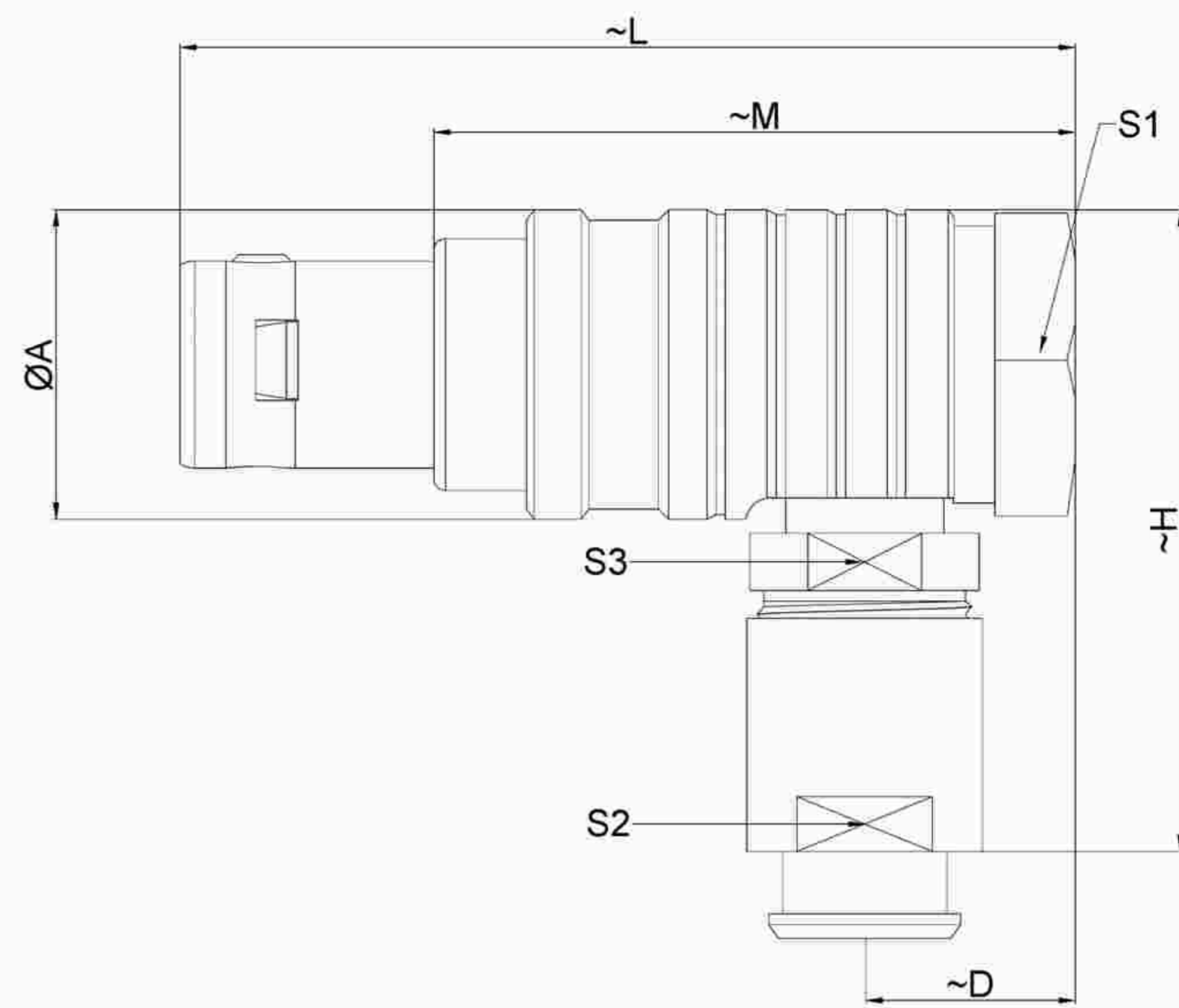


Main technical indicators(主要技术指标)	
1.Mating (插拔次数)	5000
2.Working Temperature (温度)	-55~+150 °C
3.IP Rating (防护级别)	IP 50
4.Diameter of socket end(插合端直径)	φ0.5
5.Testing Voltage (测试电压)	800V
6.Working Voltage (工作电压)	1200V
7.Rated Current (额定电流)	1.5A
8.Shell material(壳体材质)	Brass (chromium plating) shell and chuck nut/( nickel plating) pin sleeve and middleware/黄铜(镀铬)外壳和夹头螺母/(镀镍)插销套和中间件
9.Pin Material(插针材料)	Copper alloy gold plating(铜合金镀金)
10.Insulator material(绝缘体材质)	L:PPS P:PEEK

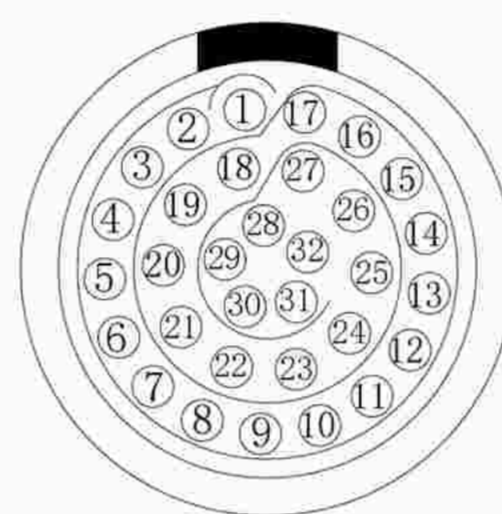
Sum up(总结)	
Series(系列)	B
Shell style/model (外壳样式/型号)	THG: Elbow plug, cable collet/电缆夹头弯头
Button (按键)	A button(一个按键)
Termination type (终止类型)	Male solder(公焊锡)
Line diameter awg(线材直径)	34-28AWG
Cable diameterφ (电缆直径)	φ7.3-8.2MM
Matching parts(配件)	ZGG.2B.P32.CXL

Location pin combination(定位销组合)			
(编号) Number	Number of positioning pins(定位销数量)	Angle(角度)	Series(系列)--2B
G	One(1)		(Zero degrees)0°
A	Two(2)	A	Thirty degrees(30°)
B	Two(2)		Forty-five degrees(45°)
C	Two(2)		Sixty degrees(60°)
D	Two(2)	γ	95 degrees (95°)
E	Two(2)	β	120 degrees(120°)
F	Two(2)		145 degrees(145°)
J	Two(2)	A	37.5degrees(37.5°)
K	Two(2)		52.5degrees(52.5°)
L	Two(2)	γ	Seventy degrees(70°)

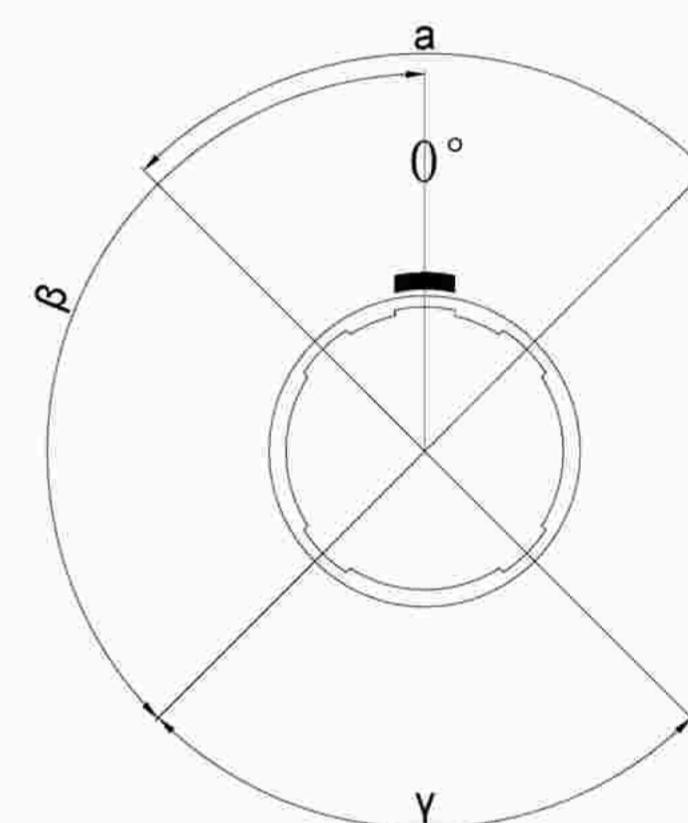
	A	B	C√	ANGLE	
5-10	±0.02	±0.05	±0.1	0°-30°	±0.1°
50-100	±0.1	±0.15	±0.2	61°-90°	±0.5°
50-100	±0.15	±0.2	±0.25		
100-	±0.15%	±0.20%	±0.25%		



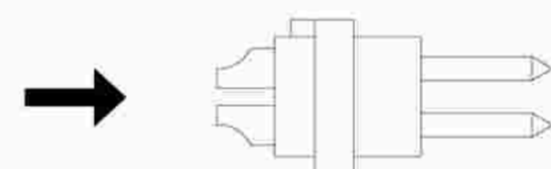
	A	D	H	L	M	S1	S2	S3
MM	16.5	9	33	41.5	29.5	14	12	13
in	0.6496	0.3543	1.2992	1.6339	1.1615	0.5512	0.4725	0.5118



Welded surface  
(焊接面)



Positive view  
(正视图)



Solder core  
(焊接型公胶芯)

TH G. 2B. P32.C X A D 82 H

Model(型号) \_\_\_\_\_  
 Positioning pin(定位销) \_\_\_\_\_  
 Series(系列) \_\_\_\_\_  
 Needle core configuration(针芯配置) \_\_\_\_\_  
 Outer casing(外壳) \_\_\_\_\_  
 Insulator(绝缘体) \_\_\_\_\_  
 Needle core(针芯) \_\_\_\_\_  
 Type of CXamp(线夹类型) \_\_\_\_\_  
 Cable diameter(电缆直径) \_\_\_\_\_  
 SH means a sheath type, not a cover type.  
 (H表示护套型, 不表示为不带护套型)

DESIGNED(设计)  
 广东星坤科技股份有限公司  
 CHECKED(校对)  
 日期  
 APPROVED(审核)  
 日期  
 文件工程章  
 www.helloxkb.com www.helloxkb.cn

DATE(日期)	
DATE(日期)	
DATE(日期)	

SCALE(比例)	N/A(不适用)
VIEW(视图)	
UNIT(单位)	MM
MATERIAL(材料)	

MODEL TYPE	型号类型: THG.2B.P32.CXAD82H
PART NO.	名称: 2B32-core plug
DWG NO.:	2B32芯插头
WEIGHT(重量)	SHEET(表)
	REVISION(修订)
	1/1
	A0