

Connector for PROFINET 4-core, shielded



General technical data		
ampacity per pin maximum	A	4
operating voltage maximum	V	250
flow resistance maximum	$\Omega \cdot m$	3
Mechanical data		
type of connection technology		Screw terminals
connector type		Pin
connector coding of the M12 circular connector		D
type of cable outlet		angled
number of poles		4
connectable conductor cross-section for flexible conductor maximum	mm ²	0.75
diameter of inlet opening	mm	6 ... 8
material		
• of the contact		Brass
• of contact coating		Gold
• of connector fixed part		Polyamide
• of the enclosure		Zinc diecast, nickel-plated
depth	mm	20
height	mm	54
width	mm	43
type of strain relief		Pressure screw, pinch ring
mechanical service life (mating cycles)		100
type of plug interlock		M12 x 1 thread
Ambient conditions		
ambient temperature		
• during storage	°C	-25 ... +85
• during operation	°C	-25 ... +85
protection class IP		IP67
chemical resistance		
• to mineral oil		conditional, must be checked relative to the application
• to water		conditional, must be checked relative to the application
• to grease		conditional, must be checked relative to the application
Certificates/ approvals		
certificate of suitability		
• CSA approval		No
• RoHS conformity		Yes
• UL approval		No
• CCC		No
• IEC approval		No

- cUL approval
- C-Tick

No
No

Further information

Information on the packaging

<https://support.industry.siemens.com/cs/ww/en/view/109813875>

Information- and Downloadcenter (Catalogs, Brochures,...)

<https://www.siemens.com/ic10>

Industry Mall (Online ordering system)

<https://mall.industry.siemens.com/mall/en/en/Catalog/product?mlfb=3RK1902-2DA00>

Cax online generator

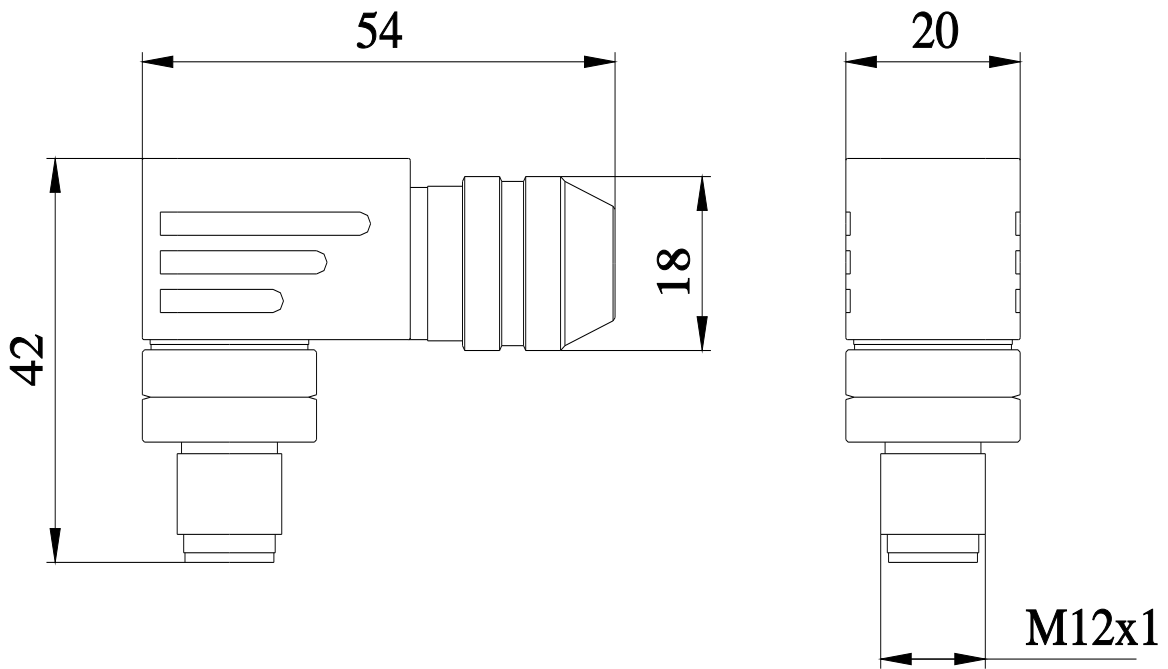
<http://support.automation.siemens.com/WW/CAXorder/default.aspx?lang=en&mlfb=3RK1902-2DA00>

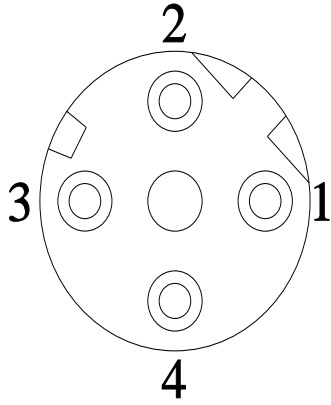
Service&Support (Manuals, Certificates, Characteristics, FAQs,...)

<https://support.industry.siemens.com/cs/ww/en/ps/3RK1902-2DA00>

Image database (product images, 2D dimension drawings, 3D models, device circuit diagrams, EPLAN macros, ...)

http://www.automation.siemens.com/bilddb/cax_de.aspx?mlfb=3RK1902-2DA00&lang=en





1		yellow/ gelb
2		white/ weiss
3		orange/ orange
4		blue/ blau

last modified:

3/11/2024