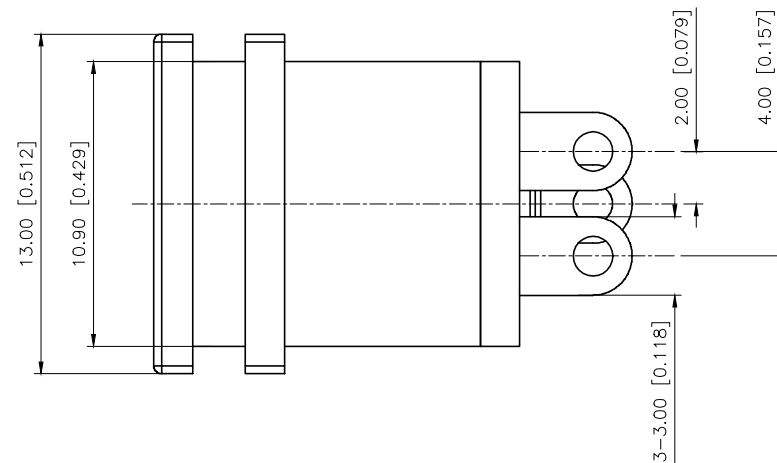
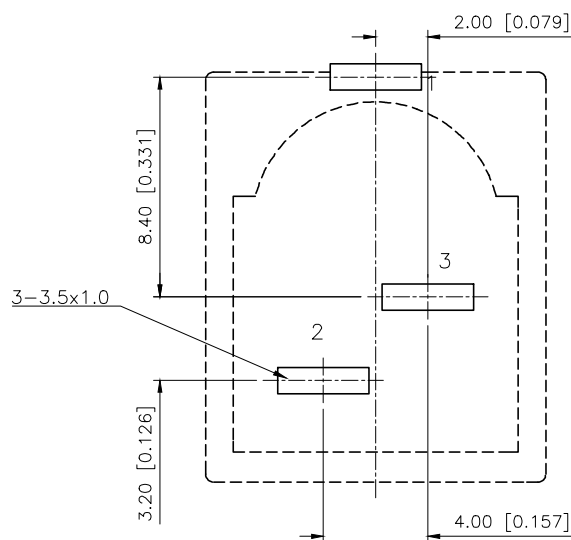
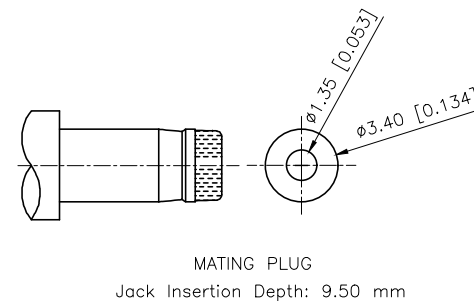
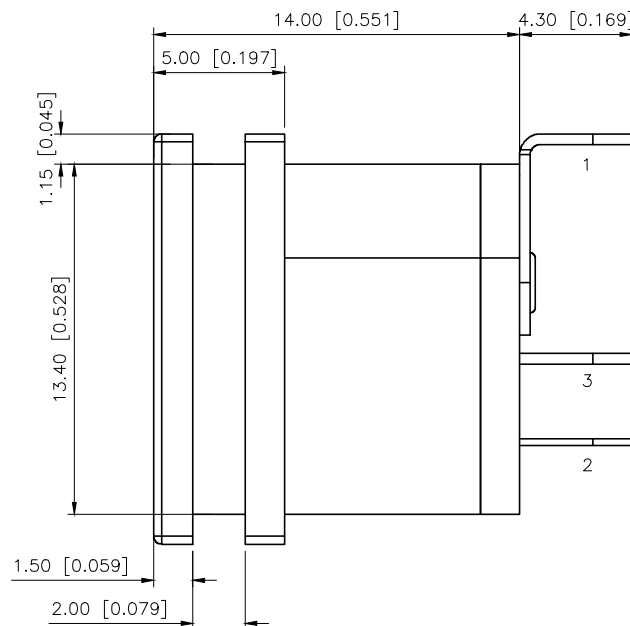
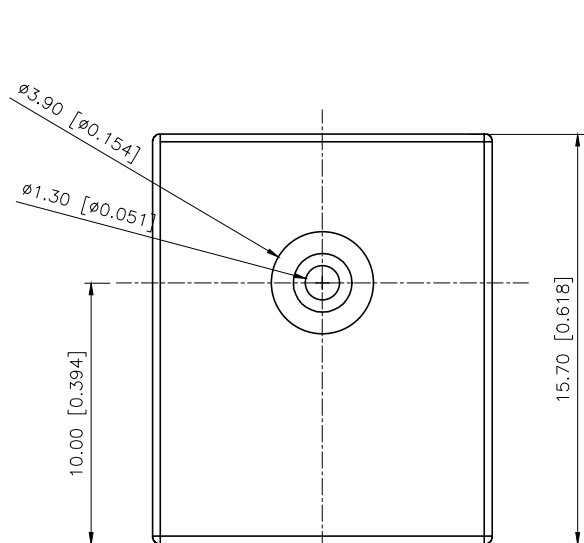


REVISIONS					
REV.	ECN NO.	LOCATION	DESCRIPTION	DATE	DESIGN
A0	N/A		INITIAL RELEASE	/	/
A1	N/A		图面升级整理图面	2025.07.01	阿树



SCHEMATIC	
Model	DC-015C1-2.5A
Center Pin	Ø1.3 mm

Cover	PF	
Plastic	PBT	
Terminal 3	Brass	Tin
Terminal 2	Phosphor Bronze	Tin
Terminal 1	Brass	Tin
Center pin	Brass	Tin
PAPT NAMF	MATERIAL	PLATING

PCBLAYOUT
FRONT VIEW

AuGLAR	±5°
X.	±0.40
X.x	±0.30
X.xx	±0.20
X.xxx	±0.15
UNSPECIFIED TOLERAUCES	



DESIGN	阿树	VIEW:	
CHECKED		UNIT:	mm/in
APPROVED		SIZE:	A4

MODEL TYPE:	DC POWER JACK
PART NO.:	DC-015C1-2.5A
DWG NO.:	