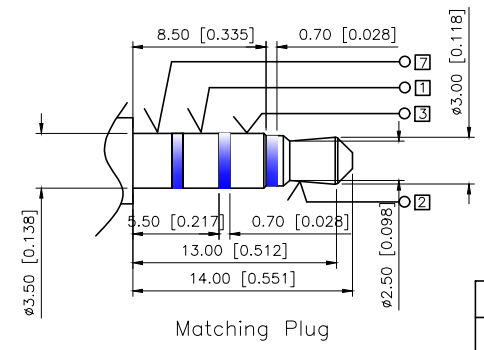
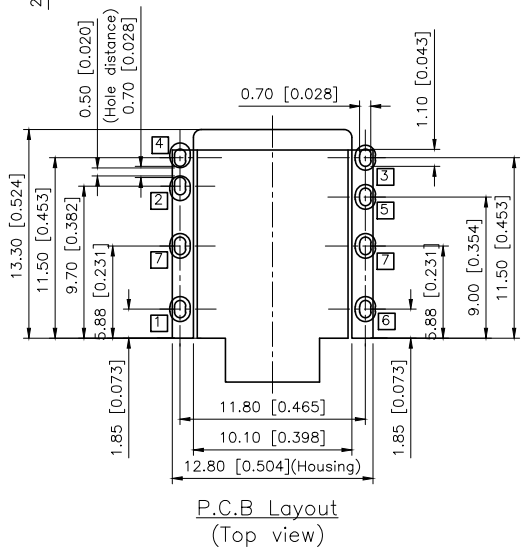
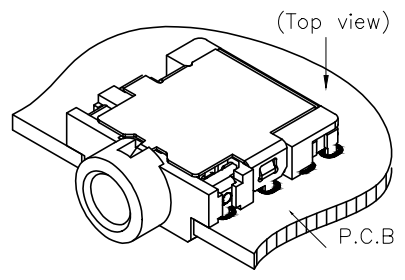
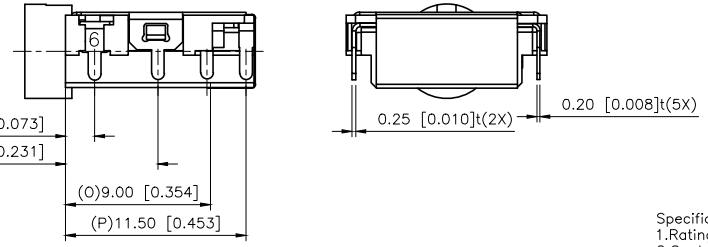
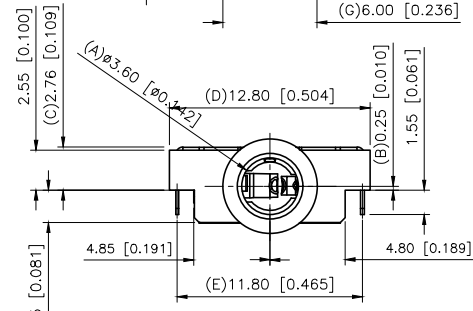
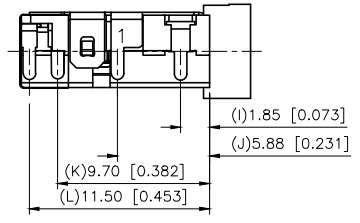
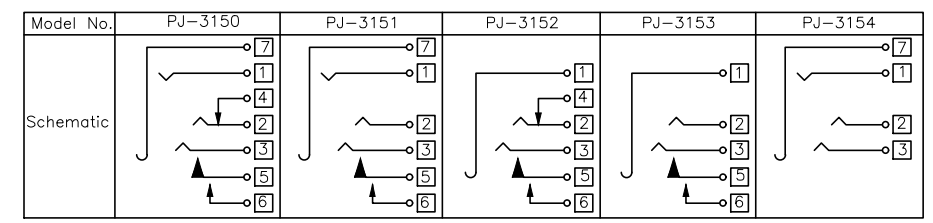
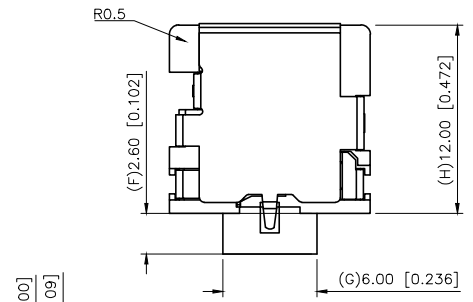
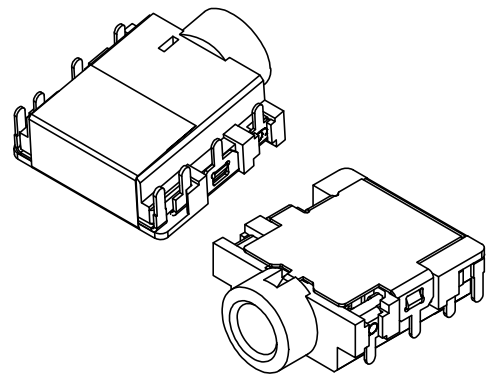


REVISIONS					
REV.	ECN NO.	LOCATION	DESCRIPTION	DATE	DESIGN
A0	N/A		INITIAL RELEASE	/	/
A1	N/A		图面升级整理图面	2025.06.26	阿树



- Specification:
- Rating : DC 30V 0.5A;
  - Contact resistance: ≤30mΩ  
After life test: ≤50mΩ
  - Insulation resistance: ≥100MΩ (500VDC)  
After life test: ≥50MΩ
  - Withstand voltage: 500VAC ;
  - Insertion and extraction force: 3N~25N;
  - life test: 5000cycles min;
  - Operation temperature range: -20℃~70℃
  - Preservative temperature range: -40℃~85℃
  - Sign"▲" is importance dimension

	Plastic	PA9T	
Terminal 4		copper alloy	silver
Terminal 3		copper alloy	silver
Terminal 2		copper alloy	silver
Terminal 1		copper alloy	silver
PAPT NAMF		MATERIAL	PLATING

AuGLAR	±5°
X.	±0.40
X.x	±0.30
X.xx	±0.20
X.xxx	±0.15
UNSPECIFIED TOLERANCES	



DESIGN	阿树	VIEW:	
CHECKED		UNIT:	mm/in
APPROVED		SIZE:	A4

MODEL TYPE:	3.5 PHONE JACK		
PART NO.:	PJ-315X		
DWG NO.:			

XKB INDUSTRIAL PRECISION CO., LIMITED

SCALE	PAGE	REVISION
N/A	1/1	A1