




## Product information MIB 100 V

Industrial Connecting Solutions:Circular Connectors:Audio/Video Connectors:DIN EN 60 130-09 Connectors (MAS/MAK series):without locking screw:Panel-mounted sockets:MIB 100 V

<https://www.e-catalog.beldensolutions.com:443/link/57078-24228-256281-256282-24384-24385-24386-34661/en/conf/uistate>

Name	MIB 100 V
	
	panel-mounted socket with solder skewers; direction of insertion perpendicular to the circuit board; solder joint
<b>Delivery informations</b>	
Availability	available
<b>Product description</b>	
Type	MIB 100 V
Order No.	932 255-500
Type of contact	female
Description	panel-mounted socket with solder skewers; direction of insertion perpendicular to the circuit board; solder joint
Number of contacts	10
Conductor size	$\leq 0.34 \text{ mm}^2$
<b>Technical data</b>	
LF output "Phone"	EN 60 130-09
Rated current	3 A
Rated voltage	AC/DC 34 V
Type of termination	solder
<b>Material</b>	
Contact material (socket)	brass
Contact surface material	tin plated
Contact bearer material	PA 66/UL standard 94V-2
Housing material	steel, nickel-plated
<b>Environmental conditions</b>	
Protection class (IEC 60529)	IP 30
Temperature range	-20 °C to +60 °C

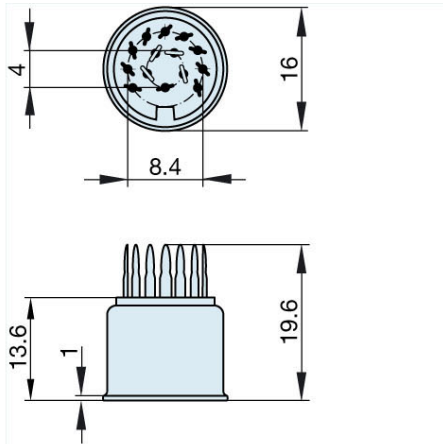


# HIRSCHMANN

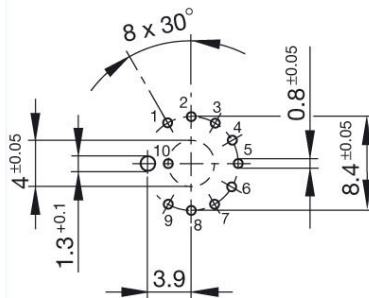
A BELDEN BRAND

Industrial Connecting Solutions: Circular Connectors: Audio/Video Connectors: DIN EN 60 130-09 Connectors (MAS/MAK series): without locking screw: Panel-mounted sockets: MIB 100 V  
<https://www.e-catalog.beldensolutions.com:443/link/57078-24228-256281-256282-24384-24385-24386-34661/en/conf/ui/state>

Picture  
Drawing



Arrangement of the soldering points on the components side





# HIRSCHMANN

A **BELDEN** BRAND

**Belden Deutschland GmbH**

Im Gewerbepark 2

58579 Schalksmühle

Germany

Phone: +49 7127/14-1806

E-Mail: [icos-sales@belden.com](mailto:icos-sales@belden.com)

The information published in the websites has been compiled as carefully as possible. It is subject to alteration without notice in technical as well as in price-related/commercial respect. The complete information and data were available on user documentation. Mandatory information can only be obtained by a concrete query.