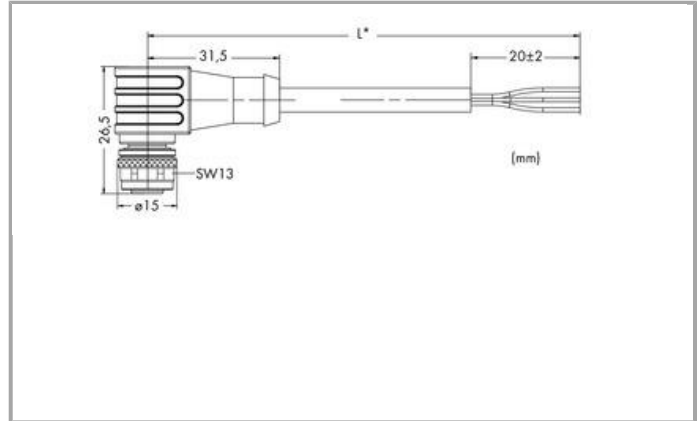
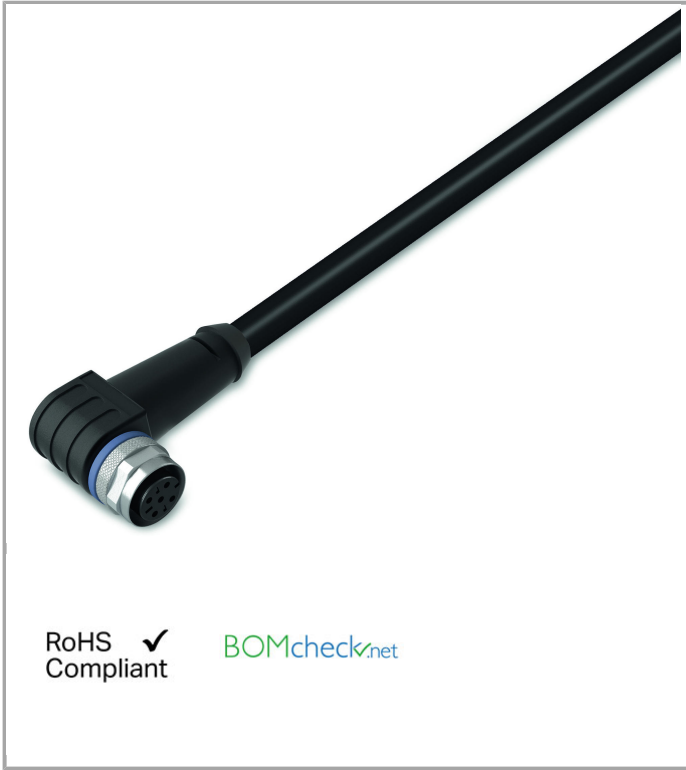


Data sheet | Item number: 756-5302/040-050

Sensor/actuator cable; fitted on one end (with free end); 4-pole; M12 socket, angled; one free cable end; 5 m

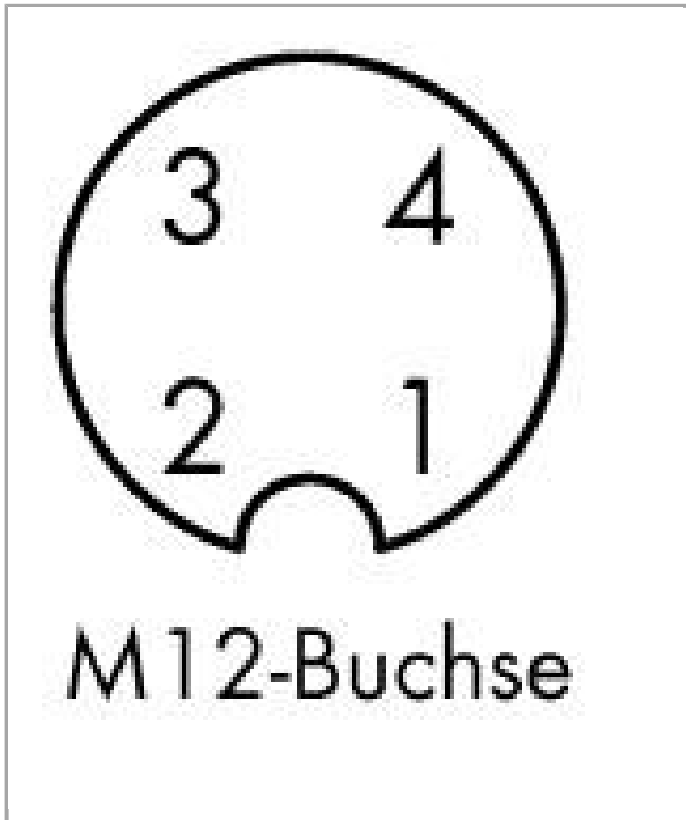


www.wago.com/756-5302/040-050



RoHS 
Compliant

BOMcheck.net



Pin 1 ... 5: 0,34 mm ²	
1	braun (+)
2	weiß (Ö)
3	blau (-)
4	schwarz (S)
5	grau
Schirm	

Item description

Short description:

- PUR, halogen-free
- Suitable for drag chains
- Good resistance to microbes, hydrolysis, oil, chemicals and UV radiation.
- Good chemical resistance.
- Cable used: UL listed

Data

Technical Data

Connection type	M12 socket - free end
No. of poles	4
Leitungsanschlussrichtung zur Steckrichtung	90°
Steckgesichtskodierung Leitung/Adapter 1 1	A coded
Cable length	5 m
Operating voltage	AC/DC 250 V
Operating current	4 A
Rated surge voltage	2,5 kV



Mechanical data

Bending cycles	2
Schleppkettentauglichkeit	yes
Color of sheathed cable	black
Durchmesser der Mantelleitung	4.5 ... 4.9 mm
Sheath material	Polyurethane (OPUR), halogen-free per DIN VDE 0472 Part 815, flame resistant per IEC 332-2, self-extinguishing
Halogen-free	Yes
Housing material	Polyurethan (PUR)
Contact material	CuSn
Contact plating	CuNi/Au
Tightening torque	1 Nm
Weight	165 g

Environmental Requirements

Umgebungstemperatur (Betrieb) bewegt	-25 ... +90 °C
Umgebungstemperatur (Betrieb) ruhend	-50 ... +90 °C
Degree of protection	IP67
Degree of pollution (5)	3 acc. to VDE 0110

Commercial data

Country of origin	HU
GTIN	4044918974967

Downloads

Documentation

System Description

IP67 Cables and Pluggable Connectors	Jun 6, 2017	Download
		434.4 kB

Subject to changes.

WAGO Corporation
Germantown, WI 53022
32423 Minden
Phone: +49571 887-0 | Fax: (262) 255-6222
Email: info.us@wago.com | Web: www.wago.com

Do you have any questions about our products?
We are always happy to take your call at {0}.