



概述

SPX3819 系列是一组低压差 (LDO) 转换器，具有 2.8V 至 20V 宽电压输入范围、低压差、低功耗和小型化封装的特性，输出电压范围为 3.0-5.0V。

SPX3819 低至 1.8 μ A 低静态电流特性，电路也带有 CE 使能控制端口，可使电路进入休眠状态。特别适合用于电池供电、长时间待机系统设备应用，能帮助降低系统设备的待机功耗，有效延长待机时间和电池使用寿命。

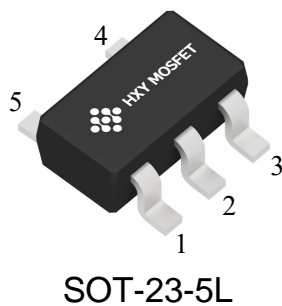
特点

- 输入输出电压差低
- 温度漂移系数小
- 耐压 20V
- 工作静态电流 1.8 μ A，最大 4 μ A
- 休眠静态电流最大 0.2 μ A
- 输出电压精度： \pm 2%
- 输出过载保护
- 带有 CE 使能控制端口
- 工作温度 -20 $^{\circ}$ C ~ +105 $^{\circ}$ C

应用场合

- 手持式、电池供电设备
- 通信设备
- 音频、视频设备
- 低功耗微处理器
- 笔记本电脑、掌上型电脑和 PDA
- 车载导航系统
- 工业控制
- 智能家居

封装脚位描述



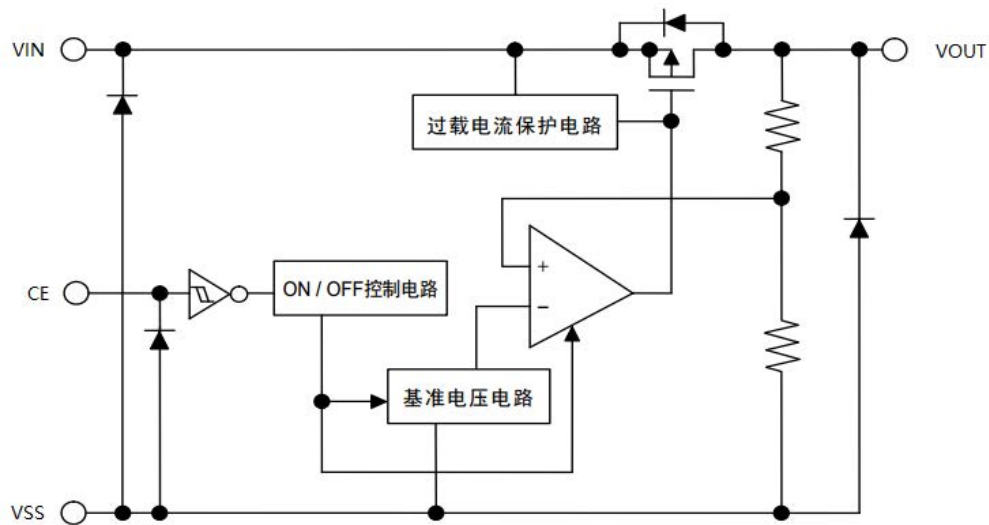
PIN脚位	符号	功能说明
SOT-23-5L		
1	V_{IN}	电源输入端
2	V_{SS}	地
3	CE	使能端
4	NC	悬空
5	V_{OUT}	电源输出端

型号介绍

型号名	封装	输出电压	包装信息
SPX3819M5-L-3-0	SOT-23-5L	3.0V	3000/盘
SPX3819M5-L-3-3	SOT-23-5L	3.3V	3000/盘
SPX3819M5-L-5-0	SOT-23-5L	5.0V	3000/盘



典型应用图



绝对最大额定值

参数	符号	范围	单位
输入电压	V_{IN}	-0.3 ~ +22	V
输出电流	I_{OUT}	500	mA
输出电压	V_{OUT}	$V_{SS}-0.3 \sim V_{IN} + 0.3$	V
使能电压	V_{CE}	$V_{SS}-0.3 \sim V_{IN} + 0.3$	V
耗散功率	P_D	200	mW
工作温度范围	T_{OPR}	-40 ~ +80	°C
存储温度范围	T_{STG}	-40 ~ +150	°C
焊接温度		260°C, 10sec	



电气参数(无特别说明情况下, $T_A=25^{\circ}\text{C}$, $C_{IN}=C_{OUT}=1\mu\text{F}$)

参数说明	符号	测试条件	最小值	典型值	最大值	单位
输入电压	V_{IN}		3.0		20	V
输出电压	V_{OUT}		3.0		5.0	V
输出电压精度		$I_{OUT}=1\text{mA}$	-2		+2	%
输出电流	I_{OUT}	$V_{IN}=V_{OUT}+2.0\text{V}$		350		mA
负载调整率	ΔV_{OUT}	$V_{IN}=V_{OUT}+2.0\text{V}$ $1\text{mA}\leq I_{OUT}\leq 150\text{mA}$		15		mV
线性调整率	$\frac{\Delta V_{OUT}}{V_{OUT}\cdot\Delta V_{IN}}$	$V_{OUT}+1.0\text{V}\leq V_{IN}\leq 20\text{V}$ $I_{OUT}=10\text{mA}$		0.015	0.2	%/V
低压差	$V_{DIF}^{\text{①}}$	$I_{OUT}=100\text{mA}, V_{OUT}=3.3\text{V}$		200		mV
静态电流	I_{SS}	$V_{CE}=V_{IN}$		1.8	4	μA
休眠电流	$I_{STANDBY}$	$V_{CE}=V_{SS}$			0.2	μA
使能高电平	V_{CEH}	$V_{IN}=V_{OUT}+2.0\text{V}$	1.7		24	V
使能低电平	V_{CEL}	$V_{IN}=V_{OUT}+2.0\text{V}$	0		0.3	V
短路电流	I_{SHORT}	$V_{IN}=V_{OUT}+2.0\text{V}$		400		mA
温度系数	$\frac{\Delta V_{OUT}}{\Delta T_A\cdot V_{OUT}}$	$V_{IN}=V_{OUT}+2.0\text{V}$ $I_{OUT}=10\text{mA}$ $-40^{\circ}\text{C}\leq T_A\leq 125^{\circ}\text{C}$		± 100		ppm/ $^{\circ}\text{C}$
输出有源放电电阻	$R_{DIS}^{\text{②}}$	$V_{CE}<0.5\text{V}$		300		

注：

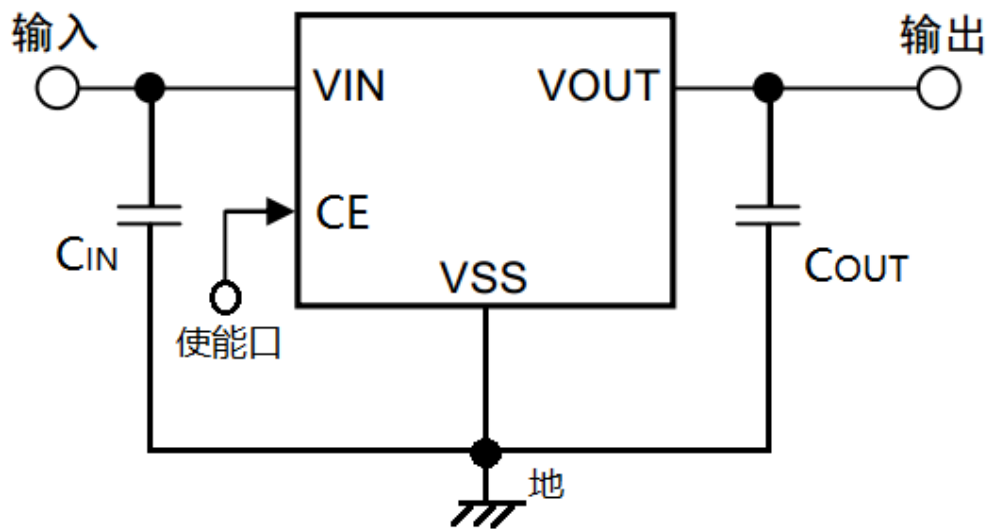
- ①当 $V_{IN}=V_{OUT}+2.0\text{V}$, 固定负载条件下使输出电压下降 2%, 此时输入电压和输出电压的差值为低压差值 V_{DIF} 。
②输出有源放电电阻 R_{DIS} , 随着 V_{IN} 电压增大而降低。



应用说明

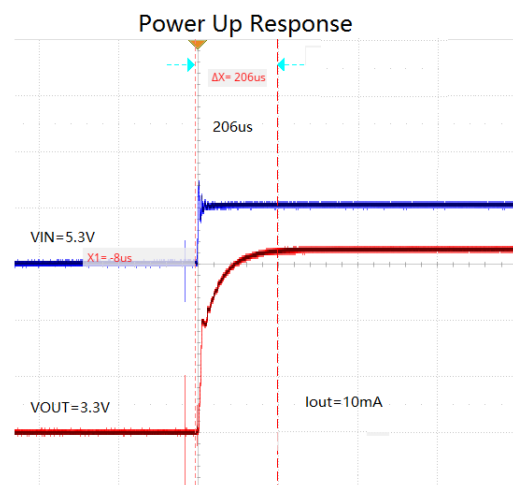
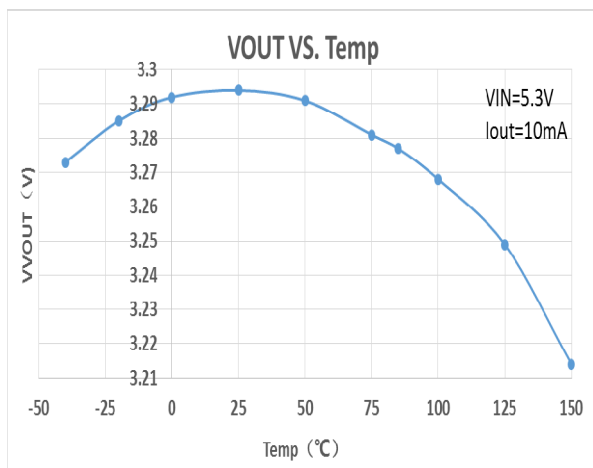
- 1、应用时尽量将电容接到 VIN 和 VOUT 脚位附近。
- 2、电路内部使用了相位补偿电路和利用输出电容的 ESR 来补偿。所以输出到地一定要接大于或者等于 $1\mu\text{F}$ 的陶瓷电容。
- 3、注意输入输出电压、负载电流的使用条件，避免 IC 内部的功耗超出封装允许的最大功耗值。

应用电路



1. C_{IN} 用于稳定输入电容
2. C_{OUT} 可以使用的大于或等于 $1\mu\text{F}$ 的陶瓷电容

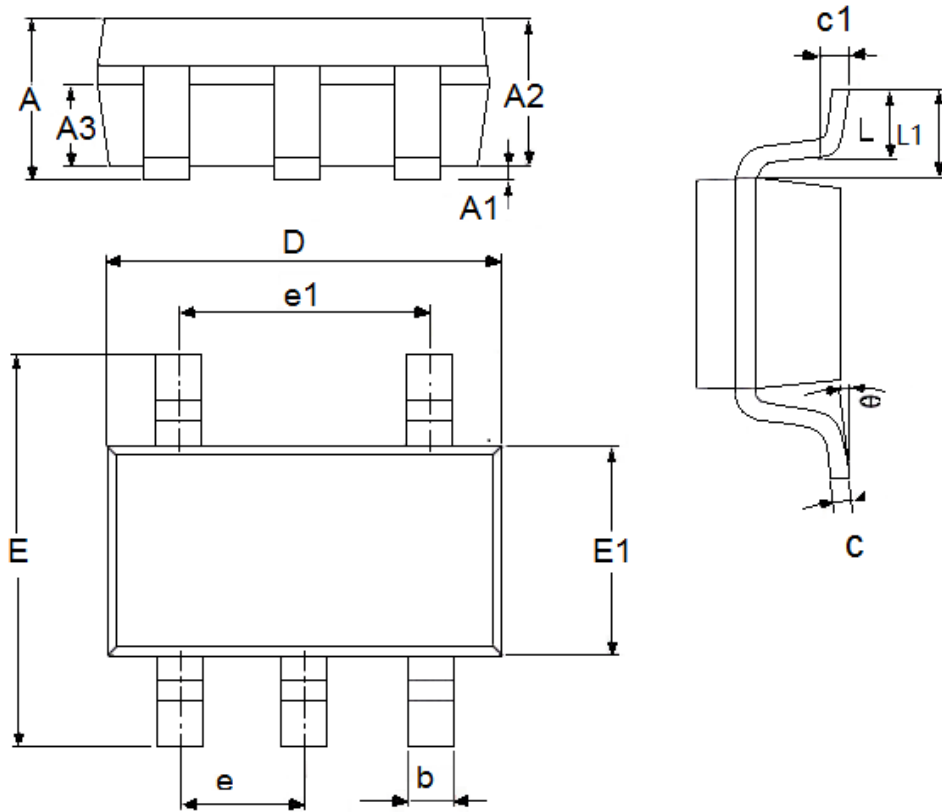
特性曲线





封装信息

- SOT-23-5L



参数	尺寸 (mm)		尺寸 (Inch)	
	最小值	最大值	最小值	最大值
A	1.05	1.45	0.0413	0.0571
A1	0	0.15	0.0000	0.0059
A2	0.9	1.3	0.0354	0.0512
A3	0.6	0.7	0.0236	0.0276
b	0.25	0.5	0.0098	0.0197
c	0.1	0.23	0.0039	0.0091
D	2.82	3.05	0.1110	0.1201
e1	1.9(TYP)		0.0748(TYP)	
E	2.6	3.05	0.1024	0.1201
E1	1.5	1.75	0.0512	0.0689
e	0.95(TYP)		0.0374(TYP)	
L	0.25	0.6	0.0098	0.0236
L1	0.59(TYP)		0.0232(TYP)	
θ	0	8°	0.0000	8°
c1	0.2(TYP)		0.0079(TYP)	



Attention

- Any and all HUA XUAN YANG ELECTRONICS products described or contained herein do not have specifications that can handle applications that require extremely high levels of reliability, such as life-support systems, aircraft's control systems, or other applications whose failure can be reasonably expected to result in serious physical and/or material damage. Consult with your HUA XUAN YANG ELECTRONICS representative nearest you before using any HUA XUAN YANG ELECTRONICS products described or contained herein in such applications.
- HUA XUAN YANG ELECTRONICS assumes no responsibility for equipment failures that result from using products at values that exceed, even momentarily, rated values (such as maximum ratings, operating condition ranges, or other parameters) listed in products specifications of any and all HUA XUAN YANG ELECTRONICS products described or contained herein.
- Specifications of any and all HUA XUAN YANG ELECTRONICS products described or contained herein stipulate the performance, characteristics, and functions of the described products in the independent state, and are not guarantees of the performance, characteristics, and functions of the described products as mounted in the customer's products or equipment. To verify symptoms and states that cannot be evaluated in an independent device, the customer should always evaluate and test devices mounted in the customer's products or equipment.
- HUA XUAN YANG ELECTRONICS CO.,LTD. strives to supply high-quality high-reliability products. However, any and all semiconductor products fail with some probability. It is possible that these probabilistic failures could give rise to accidents or events that could endanger human lives, that could give rise to smoke or fire, or that could cause damage to other property. When designing equipment, adopt safety measures so that these kinds of accidents or events cannot occur. Such measures include but are not limited to protective circuits and error prevention circuits for safe design, redundant design, and structural design.
- In the event that any or all HUA XUAN YANG ELECTRONICS products(including technical data, services) described or contained herein are controlled under any of applicable local export control laws and regulations, such products must not be exported without obtaining the export license from the authorities concerned in accordance with the above law.
- No part of this publication may be reproduced or transmitted in any form or by any means, electronic or mechanical, including photocopying and recording, or any information storage or retrieval system, or otherwise, without the prior written permission of HUA XUAN YANG ELECTRONICS CO.,LTD.
- Information (including circuit diagrams and circuit parameters) herein is for example only ; it is not guaranteed for volume production. HUA XUAN YANG ELECTRONICS believes information herein is accurate and reliable, but no guarantees are made or implied regarding its use or any infringements of intellectual property rights or other rights of third parties.
- Any and all information described or contained herein are subject to change without notice due to product/technology improvement, etc. When designing equipment, refer to the "Delivery Specification" for the HUA XUAN YANG ELECTRONICS product that you intend to use.