

THE INFORMATION CONTAINED HEREIN IS CONSIDERED 'PROPRIETARY' TO BEL FUSE INC. AND SHALL NOT BE COPIED, REPRODUCED OR DISCLOSED WITHOUT THE WRITTEN APPROVAL OF BEL FUSE INC.

ELECTRICAL CHARACTERISTICS @ 25°C

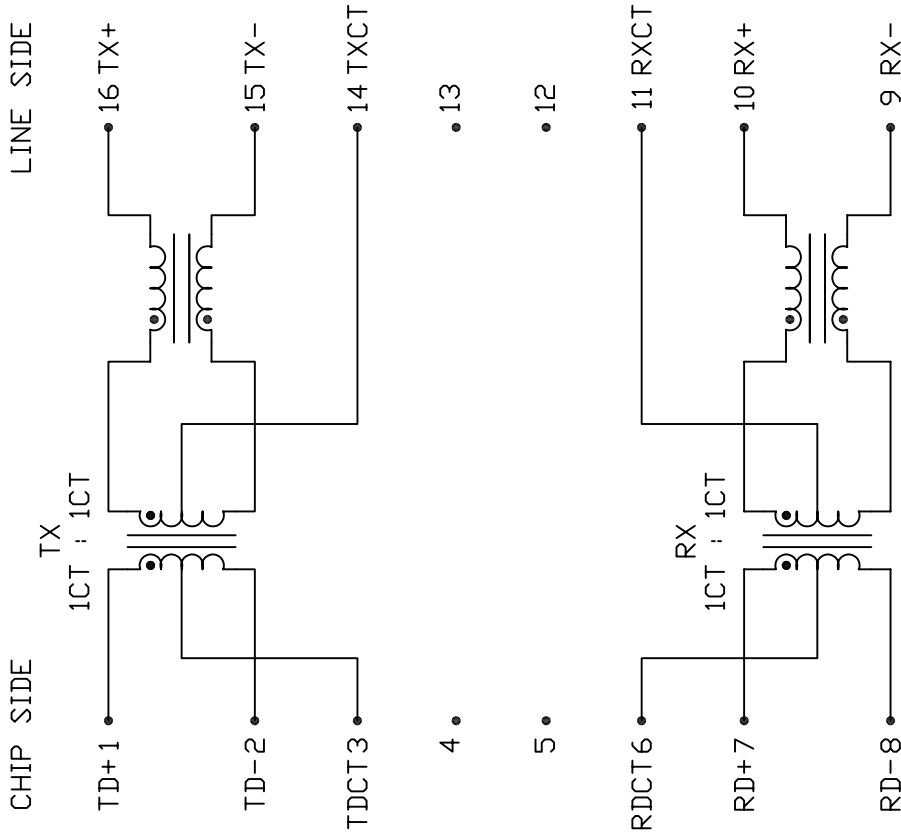


Turns Ratio  
Tx (1-3-2) : (16-14-15)  
Rx (7-6-8) : (10-11-9)

1CT : 1CT  
1CT : 1CT

SCHEMATIC

Polarity  
PER DOT CONVENTION



DCL  
1-2 = 7-8  
Leakage Inductance, Le  
Chip Side with Line Side Short  
Interwinding Capacitance, Cw/w  
Chip Side to Line Side

350µH MIN  
@100kHz, 100mV w/8mA DC BIAS

0.4µH MAX  
@1MHz, 20mV

25pF MAX  
@1MHz, 20mV

1.30HM MAX

1.0dB MAX

16dB MIN  
16-20LOG(f/30MHz) dB MIN  
10dB MIN

Return Loss (under 100Ω ±15% environment)  
@0.5 TO 30 MHz  
@30 TO 60 MHz  
@60 TO 80 MHz

Common to Common Mode Attenuation  
@0.1 TO 80 MHz  
@80 TO 125 MHz  
@125 TO 250 MHz

38dB MIN  
30dB MIN  
10dB MIN

Crosstalk  
@0.1 TO 80 MHz  
@80 TO 125 MHz  
@125 TO 250 MHz

38dB MIN  
30dB MIN  
10dB MIN

Common to Differential Mode Attenuation  
@0.1 TO 80 MHz  
@80 TO 125 MHz  
@125 TO 250 MHz

38dB MIN  
30dB MIN  
10dB MIN

1500Vrms

HIPOT  
Operating Temperature -40°C TO +85°C

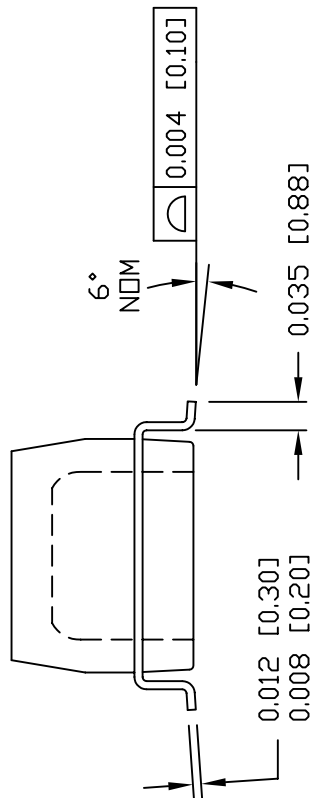
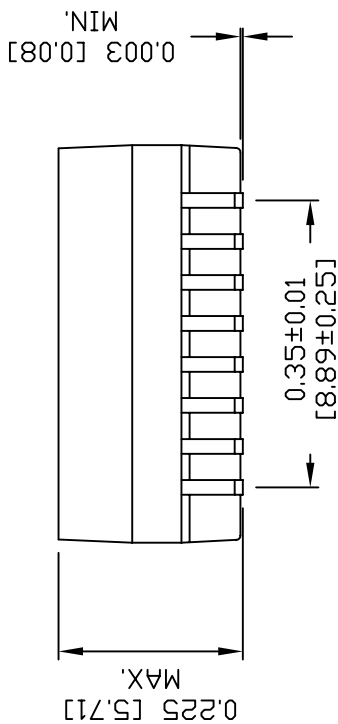
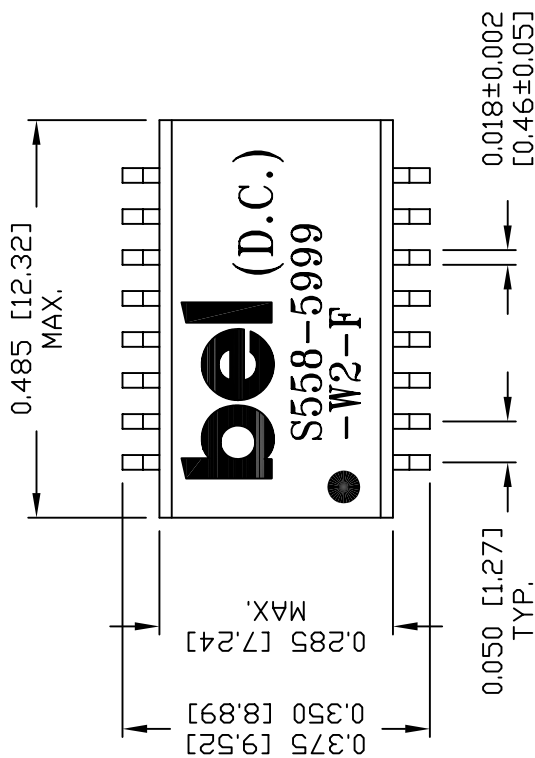
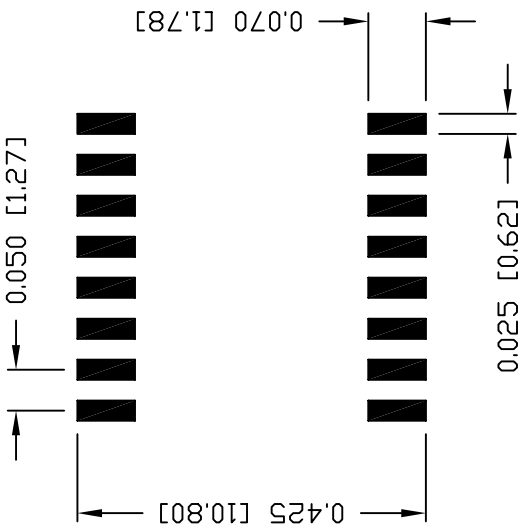
REV. : C	PAGE : 2
POWER   PROTECT   CONNECT	
STANDARD DIM. [ ] METRIC DIM. AS REF.	
TOL. IN INCH UNIT : INCH [mm]	
SCALE : N/A	
SIZE : A4	
PART NO. / DRAWING NO. X5585999W2-F	
FILE NAME	
X5585999W2FC.DWG	
TITLE	
10/100BASE-T MODULE	
S558-5999-W2-F	
ORIGINATED BY	DATE
Alice Pang	2015-01-26
DRAWN BY	DATE
ZC Guo	2015-01-26

This document is electronically generated. This is a controlled conv if used internally

THE INFORMATION CONTAINED HEREIN IS CONSIDERED 'PROPRIETARY' TO BEL FUSE INC. AND SHALL NOT BE COPIED, REPRODUCED OR DISCLOSED WITHOUT THE WRITTEN APPROVAL OF BEL FUSE INC.



SUGGESTED PCB PAD LAYOUT



NOTES:

- STANDARD MARKING REFER TO DOC. HAND-WORK-04.
- PACKAGE CODE: "QBS001".

ORIGINATED BY DATE Lawrence Tsang 2015-01-26		TITLE MECHANICAL DRAWING		PART NO. / DRAWING NO. X5585999W2-F		STANDARD DIM. [ ] METRIC DIM. AS REF.		REV. : C PAGE : 3	
DRAWN BY DATE ZC Guo 2015-01-26		FILE NAME S558-5999-W2-F		TOL. IN INCH .X ±0.01 .XX ±0.005 .XXX ±0.005		UNIT : INCH [mm] SCALE : N/A		SIZE : A4	

