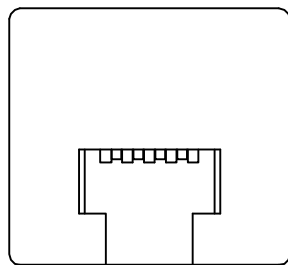
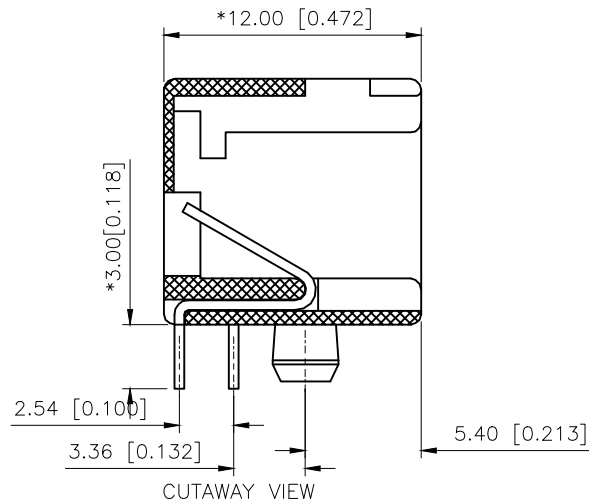


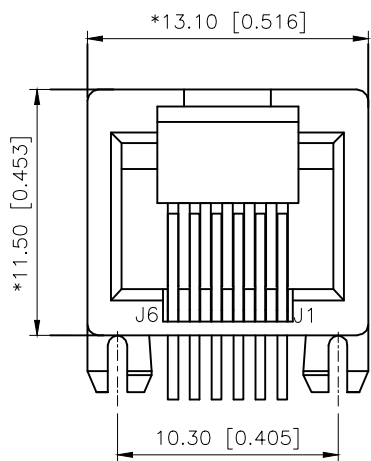
| REVISIONS | | | | | |
|-----------|---------|----------|-----------------|------------|--------|
| REV. | ECN NO. | LOCATION | DESCRIPTION | DATE | DESIGN |
| A0 | N/A | | INITIAL RELEASE | / | / |
| A1 | N/A | | 图面升级整理图面 | 2025.03.12 | 阿树 |



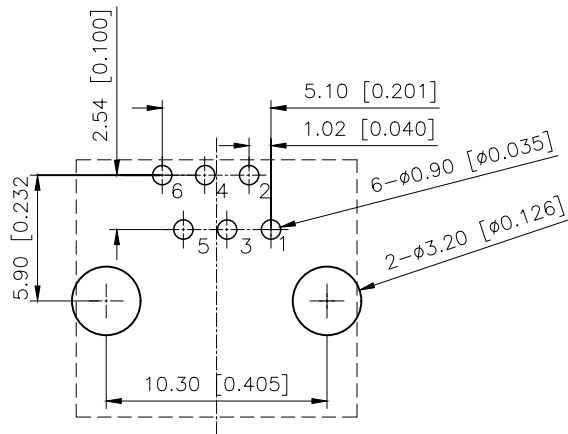
TOP VIEW



CUTAWAY VIEW



FRONT VIEW



RECOMMENDED PCB LAYOUT
VIEWED FROM COMPONENT SIDE

MATERIAL 材料:
 HOUSING 外壳: PBT,UL94V-0,BLACK.
 TERMINAL 端子: PHOSPHOR BRONZE φ=0.46MM, GOLD PLATING
 MECHANICAL 机械:
 DURABILITY 耐用性: 750 CYCLES MIN,12.5MM/MINUTE.
 INSERTION FORCE 插入力:2.2KG.F MAX
 RETENTION STRENGTH 保持力:7.7KG.F BETWEEN JACK AND PLUG.
 OPERATING TEMPERATURE 工作温度: -40°C~+85°C.
 STORAGE TEMPERATURE 储存温度: -40°C~+85°C.
 ALL CRITICAL DIMENSIONS WITH "*"

ELECTRICAL 电气:
 VOLTAGE 电压: 125 VOLTS AC.
 CURRENT RATING 电流额定值: 1.5AMP.
 DIELECTRIC STRENGTH 介电强度: 1000 VAC RMS 50HZ OR 60HZ,1 MIN
 INSULATION RESISTANCE 绝缘电阻: 500 MEGA OHMS MIN.INITIAL
 AFTER 500V DC FOR 1 MINUTE.
 CONTACT RESISTANCE 接触电阻:SINGLE TERMINAL 30 MILLIOHMS MAX.
 INITIAL 50 MILLIOHMS MAX. AFTER
 DURABILITY TEST.



X10AHIWA1DY1006

- 1:AU=1U"
- 3:AU=3U"
- 4:AU=6U"
- 5:AU=15U"
- 6:AU=30U"

| | |
|------------------------|-------|
| AuGLAR | ±5° |
| X. | ±0.40 |
| X.x | ±0.30 |
| X.xx | ±0.20 |
| X.xxx | ±0.15 |
| UNSPECIFIED TOLERANCES | |



| | | | | | |
|----------|----|-------|-------|-------------|-----------------|
| DESIGN | 阿树 | VIEW: | | MODEL TYPE: | RJ JACK |
| CHECKED | | UNIT: | mm/in | PART NO.: | X10AHIWA1DY1006 |
| APPROVED | | SIZE: | A4 | DWG NO.: | |

XKB INDUSTRIAL PRECISION CO.,LIMITED

| | | |
|-------|------|----------|
| SCALE | PAGE | REVISION |
| N/A | 1/1 | A1 |