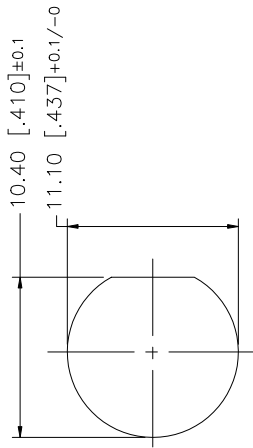
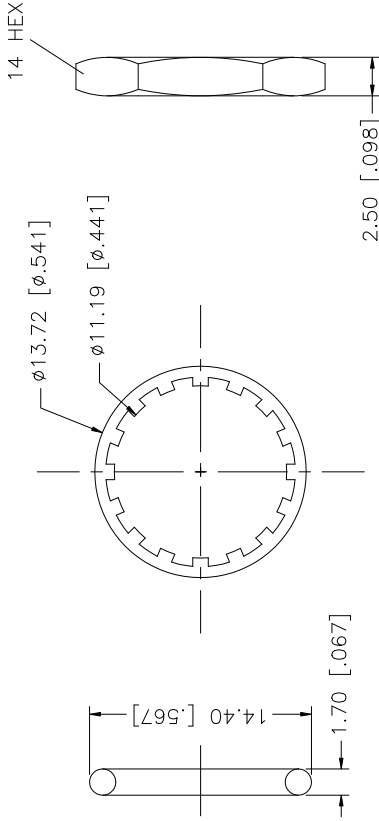
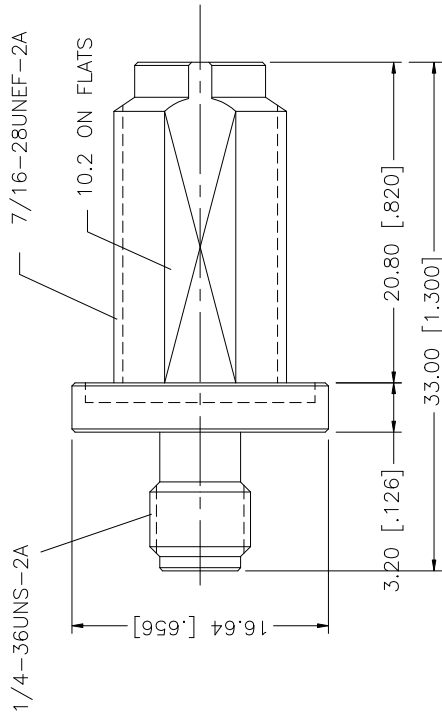


REV.	DATE	ECR NO.	DESCRIPTION
NC	10/14/01	-	INITIAL RELEASE
A	03/26/09	100088	ADD TOLERANCES TO MOUNT HOLE DIMENSIONS



RECOMMENDED MOUNTING HOLE



APPROVALS		DATE	Amphenol Connex	
DRAWN	GRS	03/26/09	SMA FEMALE TO TNC BULKHEAD FEMALE ADAPTER	
CHECKED			PART DESCRIPTION	
ISSUED			PART NO.	
SHEET	1 OF 1		DWG. NO.	
CAD FILE		C:/242/242178.DWG	REV.	A
UNLESS OTHERWISE SPECIFIED DIMENSIONS ARE IN MILLIMETERS. DIMENSIONS IN [] ARE IN INCHES AND FOR CUSTOMER REFERENCE ONLY.		DO NOT SCALE DRAWING	SCALE	NA
UNLESS OTHERWISE SPECIFIED TOLERANCES FOR MILLIMETERS ARE:				
0.5 - 8mm ± 0.20mm				
8 - 30mm ± 0.40mm				
30 - 120mm ± 0.50mm				
UNLESS OTHERWISE SPECIFIED TOLERANCES FOR INCHES ARE:				
.020 - .315 = ± 0.007"				
.315 - 1.180 = ± 0.015"				
1.180 - 4.724 = ± 0.020"				
DESCRIPTION	MATERIAL	FINISH	QTY	
6 HEX NUT	BRASS	NICKEL	1	
5 LOCK WASHER	PHOS. BRONZE	NICKEL	1	
4 GASKET	SILICONE	RED	1	
3 CONTACT PIN	BER. COPPER	GOLD	1	
2 INSULATOR BODY	PTFE	NATURAL	1	
1	BRASS	NICKEL	1	