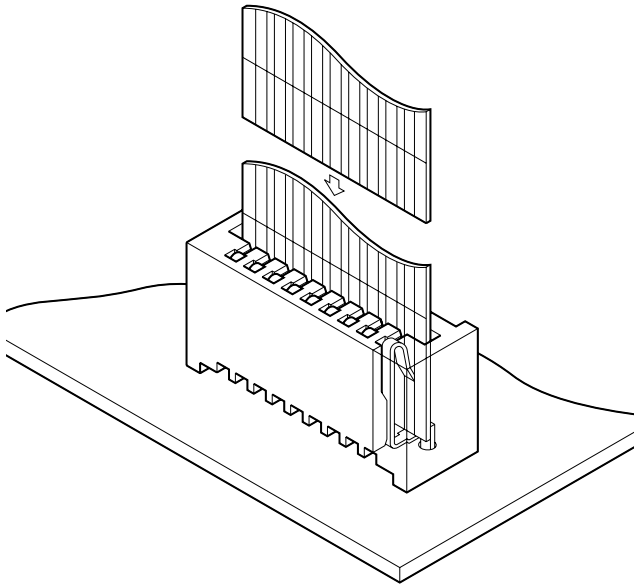


FE CONNECTOR

1.25mm pitch/Connectors for FFC



The FE connector ensures easy, secure connection of flexible flat cables (FFC). This compact connector is 4.8mm wide, 7.5mm high, and provides high contact pressure even though little force is required for insertion. The result is smooth insertion and reliable contact performance. The connector is useful in making personal computers, VCRs and car stereo systems smaller and lighter.

- Low insertion force and high contact pressure
- Snap-in connection
- Temporary board retention feature

Specifications

- Current rating: 1.0A AC, DC
- Voltage rating: 200V AC, DC
- Temperature range: -25°C to +85°C
(including temperature rise in applying electrical current)
- Contact resistance: Initial value/20m Ω max.
After environmental testing/30m Ω max.
- Insulation resistance: 1,000M Ω min.
- Withstanding voltage: 500V AC/minute
- Applicable FFC: Conductor pitch/1.25mm
Conductor width/0.8mm
Mating part thickness/0.3±0.05mm

Note: FFC to be actually used should be checked for applicability.

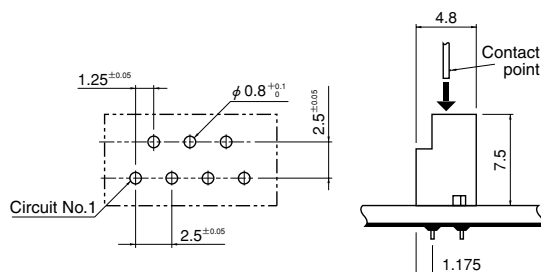
- Applicable PC board thickness: 1.2 to 1.6mm
- * Compliant with RoHS.
- * Refer to "General Instruction and Notice when using Terminals and Connectors" at the end of this catalog.
- * Contact JST for details.

Standards

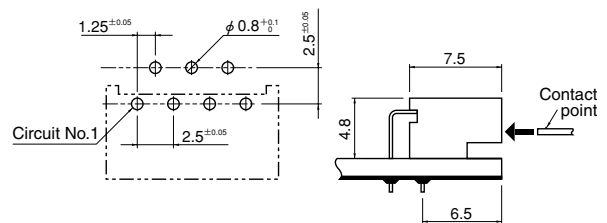
- Ⓜ Recognized E60389
- Ⓢ Certified LR20812

PC board layout (viewed from component side) and Assembly layout

Top entry type



Side entry type



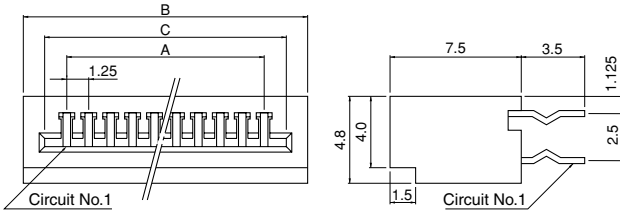
Note: 1. Tolerances are non-cumulative: ±0.05mm for all centers.

2. Hole dimensions differ according to the kind of PC board and piercing method. The dimensions above should serve as a guideline. Contact JST for details.

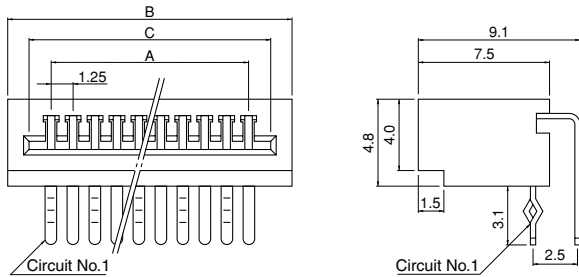
FE CONNECTOR

Connector

Top entry type



Side entry type



| Circuits | Model No. | | Dimensions (mm) | | | Q'ty / box | |
|----------|----------------|-----------------|-----------------|-------|-------|----------------|-----------------|
| | Top entry type | Side entry type | A | B | C | Top entry type | Side entry type |
| 4 | 04FE-BT-VK-N | 04FE-ST-VK-N | 3.75 | 8.55 | 6.35 | 2,350 | 1,410 |
| 5 | 05FE-BT-VK-N | 05FE-ST-VK-N | 5.00 | 9.80 | 7.60 | 2,000 | 1,200 |
| 6 | 06FE-BT-VK-N | 06FE-ST-VK-N | 6.25 | 11.05 | 8.85 | 1,800 | 1,080 |
| 7 | 07FE-BT-VK-N | 07FE-ST-VK-N | 7.50 | 12.30 | 10.10 | 1,600 | 960 |
| 8 | 08FE-BT-VK-N | 08FE-ST-VK-N | 8.75 | 13.55 | 11.35 | 1,500 | 900 |
| 9 | 09FE-BT-VK-N | 09FE-ST-VK-N | 10.00 | 14.80 | 12.60 | 1,350 | 810 |
| 10 | 10FE-BT-VK-N | 10FE-ST-VK-N | 11.25 | 16.05 | 13.85 | 1,250 | 750 |
| 11 | 11FE-BT-VK-N | 11FE-ST-VK-N | 12.50 | 17.30 | 15.10 | 1,150 | 690 |
| 12 | 12FE-BT-VK-N | 12FE-ST-VK-N | 13.75 | 18.55 | 16.35 | 1,100 | 660 |
| 13 | 13FE-BT-VK-N | 13FE-ST-VK-N | 15.00 | 19.80 | 17.60 | 1,000 | 600 |
| 14 | 14FE-BT-VK-N | 14FE-ST-VK-N | 16.25 | 21.05 | 18.85 | 950 | 570 |
| 15 | 15FE-BT-VK-N | 15FE-ST-VK-N | 17.50 | 22.30 | 20.10 | 900 | 540 |
| 16 | 16FE-BT-VK-N | 16FE-ST-VK-N | 18.75 | 23.55 | 21.35 | 850 | 510 |
| 17 | 17FE-BT-VK-N | 17FE-ST-VK-N | 20.00 | 24.80 | 22.60 | 800 | 480 |
| 18 | 18FE-BT-VK-N | 18FE-ST-VK-N | 21.25 | 26.05 | 23.85 | 750 | 450 |
| 19 | 19FE-BT-VK-N | 19FE-ST-VK-N | 22.50 | 27.30 | 25.10 | 700 | 420 |
| 20 | 20FE-BT-VK-N | 20FE-ST-VK-N | 23.75 | 28.55 | 26.35 | 700 | 420 |
| 21 | 21FE-BT-VK-N | 21FE-ST-VK-N | 25.00 | 29.80 | 27.60 | 650 | 390 |
| 22 | 22FE-BT-VK-N | 22FE-ST-VK-N | 26.25 | 31.05 | 28.85 | 650 | 390 |
| 23 | 23FE-BT-VK-N | 23FE-ST-VK-N | 27.50 | 32.30 | 30.10 | 600 | 360 |
| 24 | 24FE-BT-VK-N | 24FE-ST-VK-N | 28.75 | 33.55 | 31.35 | 600 | 360 |
| 25 | 25FE-BT-VK-N | 25FE-ST-VK-N | 30.00 | 34.80 | 32.60 | 550 | 330 |
| 26 | 26FE-BT-VK-N | 26FE-ST-VK-N | 31.25 | 36.05 | 33.85 | 550 | 330 |
| 27 | 27FE-BT-VK-N | 27FE-ST-VK-N | 32.50 | 37.30 | 35.10 | 500 | 300 |
| 28 | 28FE-BT-VK-N | 28FE-ST-VK-N | 33.75 | 38.55 | 36.35 | 500 | 300 |
| 29 | 29FE-BT-VK-N | 29FE-ST-VK-N | 35.00 | 39.80 | 37.60 | 500 | 300 |
| 30 | 30FE-BT-VK-N | 30FE-ST-VK-N | 36.25 | 41.05 | 38.85 | 450 | 270 |
| 31 | 31FE-BT-VK-N | 31FE-ST-VK-N | 37.50 | 42.30 | 40.10 | 450 | 270 |
| 32 | 32FE-BT-VK-N | 32FE-ST-VK-N | 38.75 | 43.55 | 41.35 | 450 | 270 |
| 33 | 33FE-BT-VK-N | 33FE-ST-VK-N | 40.00 | 44.80 | 42.60 | 450 | 270 |
| 34 | 34FE-BT-VK-N | 34FE-ST-VK-N | 41.25 | 46.05 | 43.85 | 400 | 240 |
| 35 | 35FE-BT-VK-N | 35FE-ST-VK-N | 42.50 | 47.30 | 45.10 | 400 | 240 |
| 36 | 36FE-BT-VK-N | 36FE-ST-VK-N | 43.75 | 48.55 | 46.35 | 400 | 240 |
| 37 | 37FE-BT-VK-N | 37FE-ST-VK-N | 45.00 | 49.80 | 47.60 | 400 | 240 |
| 38 | 38FE-BT-VK-N | 38FE-ST-VK-N | 46.25 | 51.05 | 48.85 | 350 | 210 |
| 39 | 39FE-BT-VK-N | 39FE-ST-VK-N | 47.50 | 52.30 | 50.10 | 350 | 210 |
| 40 | 40FE-BT-VK-N | 40FE-ST-VK-N | 48.75 | 53.55 | 51.35 | 350 | 210 |

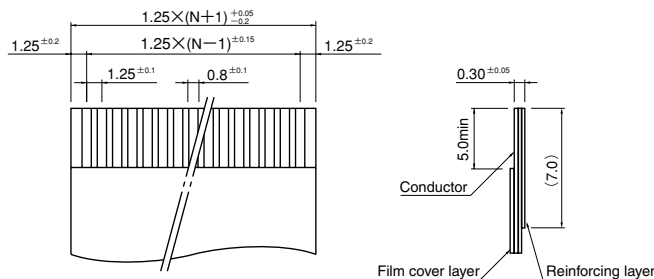
Material and Finish

Contact: Copper alloy, tin-plated (reflow treatment)
Housing: PBT, UL94V-0, white

RoHS compliance

Note: 33 to 40 circuits products are not UL/CSA approved.

Lead section dimensions of FFC



Note: N --- Number of circuits