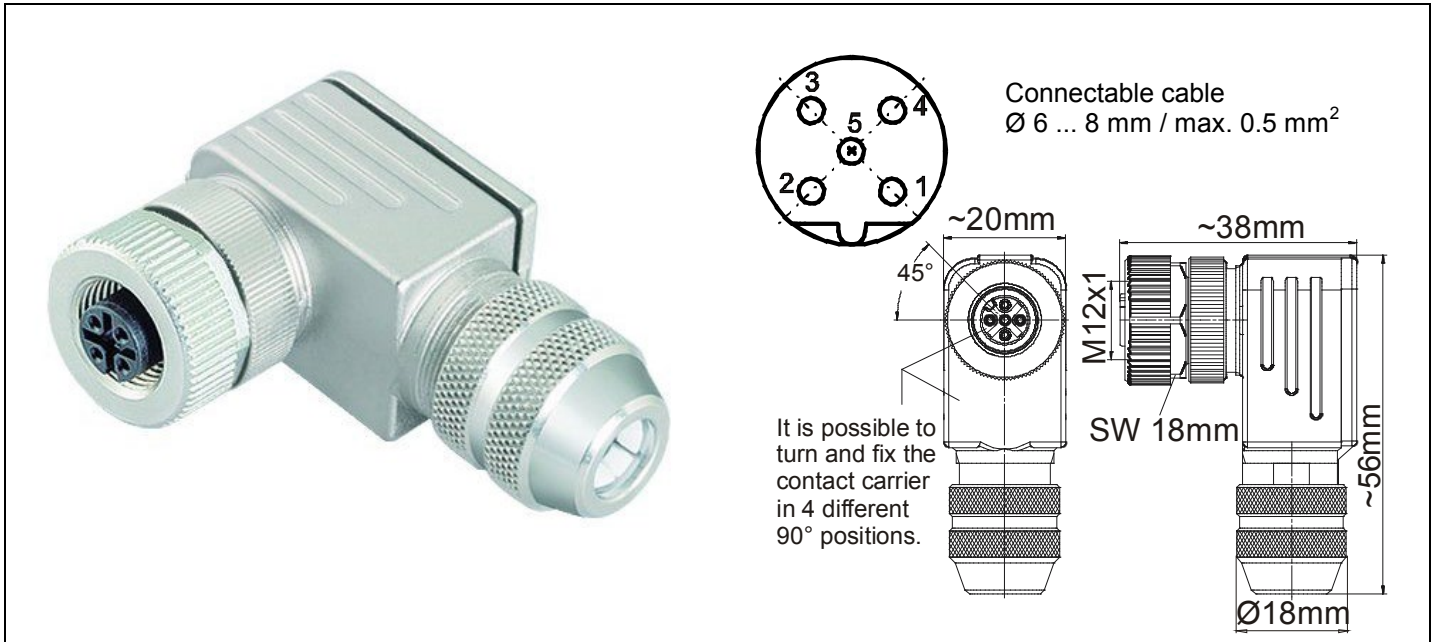


M12 PROFIBUS socket, right angle

1/1

Data Sheet


Description	Item no.	Pack. unit pcs
M12 socket, B-coded, right angle, 5-poles, shielded, spring clamp technology	756-9404/060-000	1

Mounting

Opening tool for CAGE CLAMP[®] connection

Technical data

General:

Housing material	Zinc die casting
Housing surface	Nickel-plated
Contact material	brass (CuZn)
Insert material	PA
Contact plating	Gold (Au)
Type of connection	Spring clamp
Seal	Neoprene
O-Ring	Viton
Temperature range	-40 °C ... +85 °C
Cable entry	\varnothing 6-8 mm
Kind of locking	Screw locking M12
Mating cycles	100
Class of protection	IP67 in locked position

Electrical data:

Pole number	5
Conductor size	max. 0.5 mm ² (AWG 20)
Rated current	4 A (40 °C)
Rated voltage	125 V
Test voltage	1.5 kV AC
Overvoltage category	II
Material group	III
Transition resistance	\leq 3 m Ω
Pollution degree	3