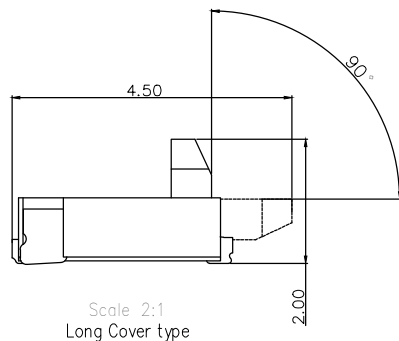
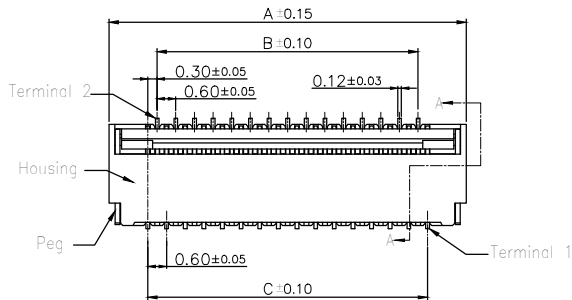


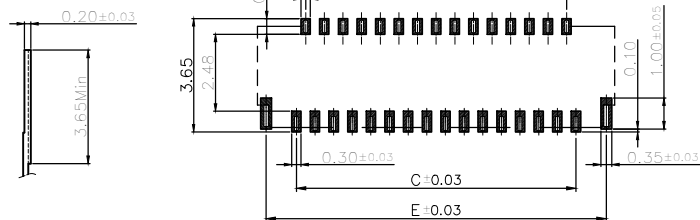
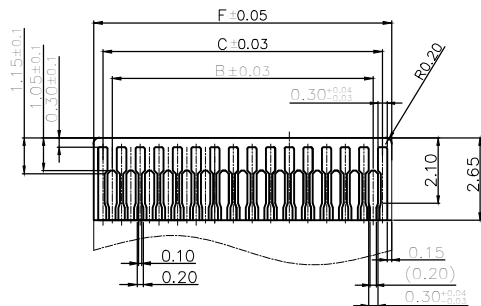
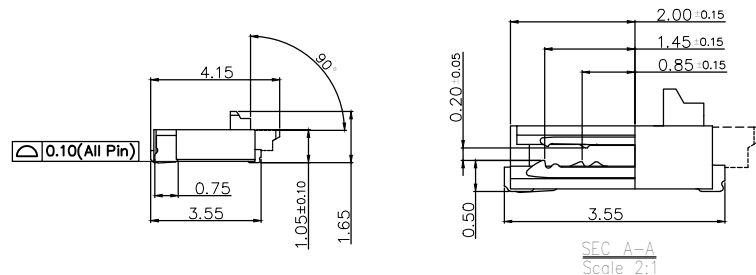
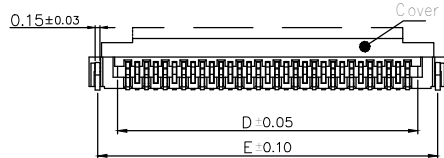
标记 MARK	ECN编号/变更内容 ECN NO/DEFINITION	修改 REVISE	日期 DATE	核准 APPROVE

No. of Contact	Dimension					
	A	B	C	D	E	F
11	6.50	2.40	3.00	3.63	4.95	3.60
13	6.10	3.00	3.60	4.23	5.55	4.20
15	6.70	3.60	4.20	4.83	6.15	4.80
17	7.30	4.20	4.80	5.43	6.75	5.40
19	7.90	4.80	5.40	6.03	7.35	6.00
21	8.50	5.40	6.00	6.63	7.95	6.60
23	9.10	6.00	6.60	7.23	8.55	7.20
25	9.70	6.60	7.20	7.83	9.15	7.80
31	11.50	8.40	9.00	9.63	10.95	9.60
33	12.10	9.00	9.60	10.23	11.55	10.20
35	12.70	9.60	10.20	10.83	12.15	10.80
39	13.90	10.80	11.40	12.03	13.35	12.00
41	14.50	11.40	12.00	12.63	13.95	12.60
45	15.70	12.60	13.20	13.83	15.15	13.80
51	17.50	14.40	15.00	15.63	16.95	15.60



Note:

1. Material
 - 1.1: Housing: LCP Color: White
 - 1.2: Actuator: PA Color: Black.
 - 1.3: Contact: Phosphor Bronze.
 - 1.4: LEG: Phosphor Bronze.
2. Plating
 - 2.1: Contact: See Part Number.
 - 2.2: LEG: Matte Tin Plating Over Nickel.
3. Rating:
 - 3.1: Operating Voltage: 30V AC/DC.
 - 3.2: Current Rating: 0.2A AC/DC.
 - 3.3: Operating Temperature: -55°C~+85°C.



2	端子	铜	点镀金	
1	底座	LCP	本色	
序号	品名	材质	电镀/颜色	备注

深圳市虹成电子有限公司 品名 TITLE 料号 PART NO	FPC座	
	HC-FPC-0.3-35P-FHH10	

GENERAL TOLERANCES (UNLESS SPECIFIED)		比列 SCALE	1:1	
X.X : ±0.30	X.X' : ±5'	单位 UNIT	MM	
X.XX : ±0.20	X.XX' : ±2'	张数 PART NO	1 OF 1	制图 DRAW
		版本 REV	A	审核 CHECKED
				批准 APPROVE

