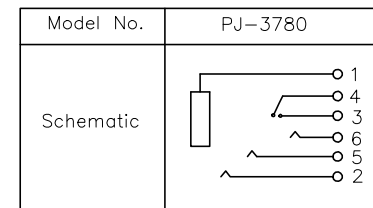
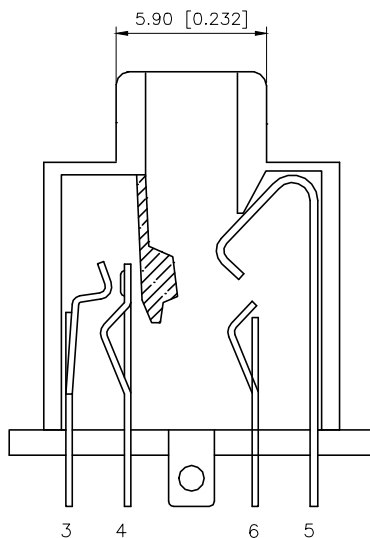
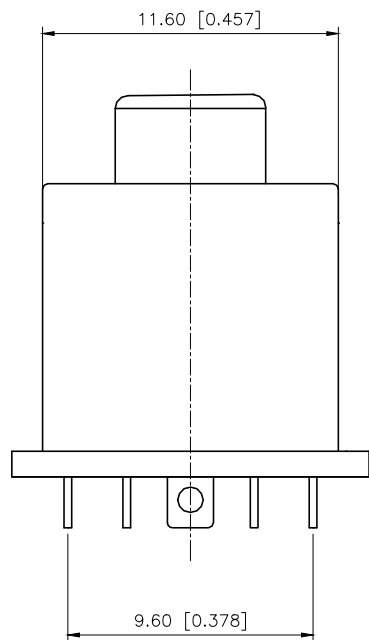
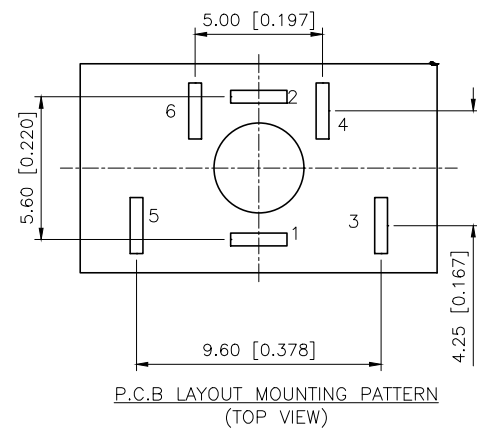
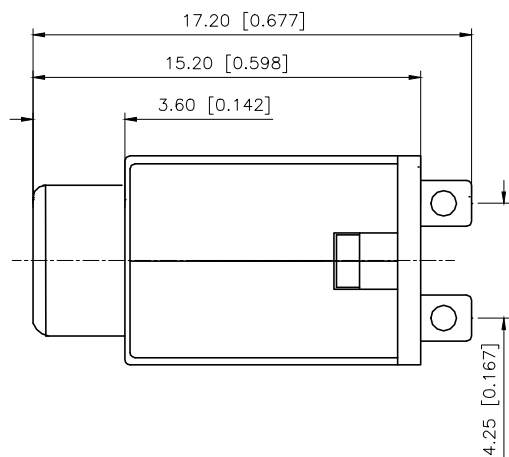
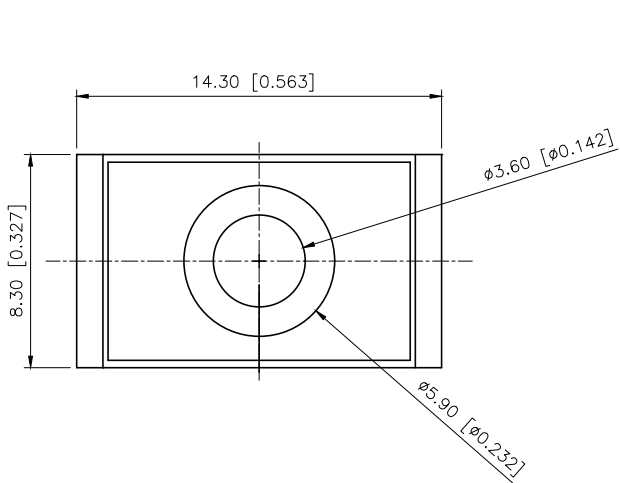


REVISIONS					
REV.	ECN NO.	LOCATION	DESCRIPTION	DATE	DESIGN
A0	N/A		INITIAL RELEASE	/	/
A1	N/A		图面升级整理图面	2025.06.26	阿树



Plastic	PBT	
Terminal 6	Phosphor Bronze	TIN
Terminal 5	Phosphor Bronze	TIN
Terminal 4	Phosphor Bronze	TIN
Terminal 3	Phosphor Bronze	TIN
Terminal 2	Phosphor Bronze	TIN
Terminal 1	Phosphor Bronze	TIN
PAPT NAMF	MATERIAL	PLATING

AuGLAR	$\pm 5^\circ$
X.	$\pm 0.40$
X.x	$\pm 0.30$
X.xx	$\pm 0.20$
X.xxx	$\pm 0.15$
UNSPECIFIED TOLERANCES	



DESIGN	阿树	VIEW:		MODEL TYPE:	3.5 PHONE JACK
CHECKED		UNIT:	mm/in	PART NO.:	PJ-3780
APPROVED		SIZE:	A4	DWG NO.:	