



E-NETTR 2.5G Base-T DUAL Port Transformer Module

P/N: H48305C

- * Designed to meet IEEE 802.3at requirement
- * Lead-Free & Designed to meet RoHS requirement
- * Designed to meet IR255°C peak requirement
- * Operating temperature range -40°C to +85°C
- * Storage temperature range: -40°C to +85°C
- * POE applications with 720mA current capability



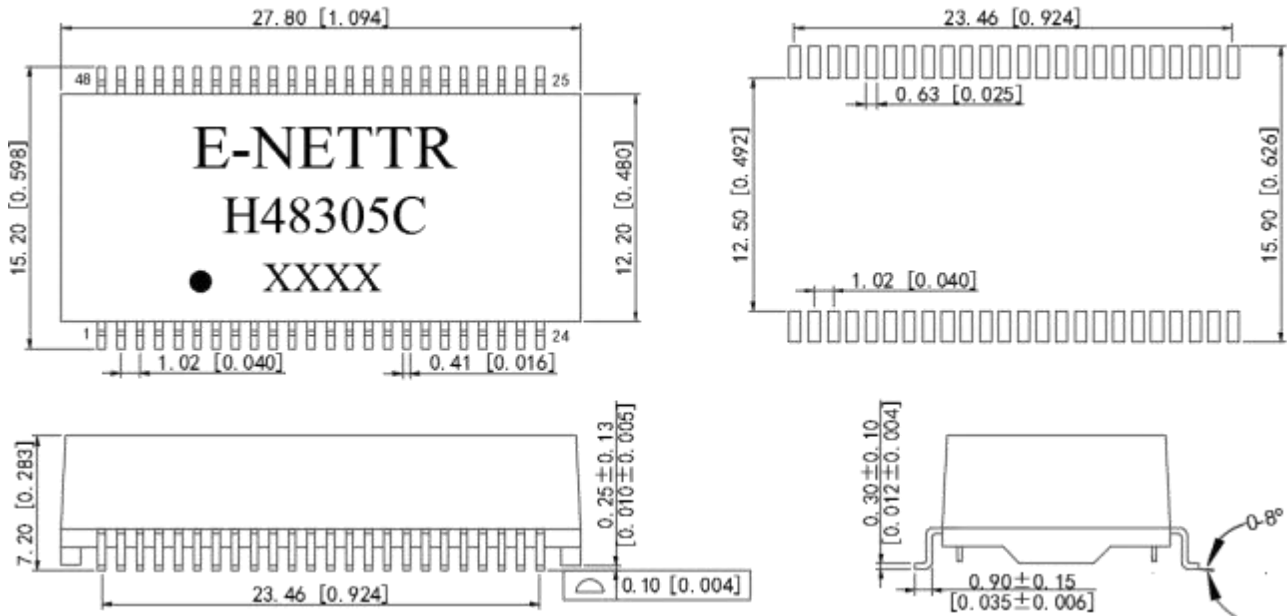
Electrical Specifications @ 25 °C

Part Number	Turn Ratio (±3%)	OCL(uH Min) @ 100KHz/0.1V with 8mADC Bias	L.L (uH Max)	C _{w/w} (pF Max)	DCR (Ω Max)	Hi-Pot (Vrms MIN)
H48305C	1CT:1CT	180	0.5	35	0.9	AC1500V / 1mA/1S

Continue

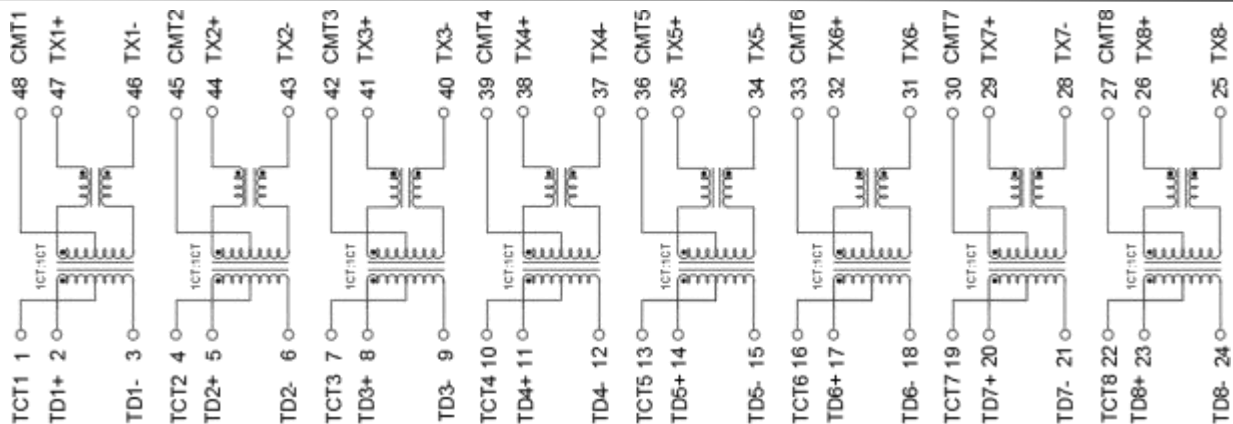
Part Number	Insertion Loss (dB Max)		Return Loss (dB Min)		Cross Talk (dB Min)		DCMR (dB Min)	
	1-100MHz	100-125MHz	0.3-40MHz	40-125MHz	1-100MHz	125MHz	1-100MHz	125MHz
H48305C	-1.0	-1.5	-16	-16+15*log(f/40)	-35	-30	-35	-30

Mechanical



Unless: mm[inch] Tolerances: xx.xo± 0.25[0.010]
o.xx± 0.05[0.002]

Schematics



东莞市祥星电子有限公司

地址: 东莞市石碣镇横滘科技中路第三工业区 Miss Xie:13549396638

TEL:0769-86384669 FAX:0769-81813600 Http://www.e-nettr.com

xingguang@e-nettr.com