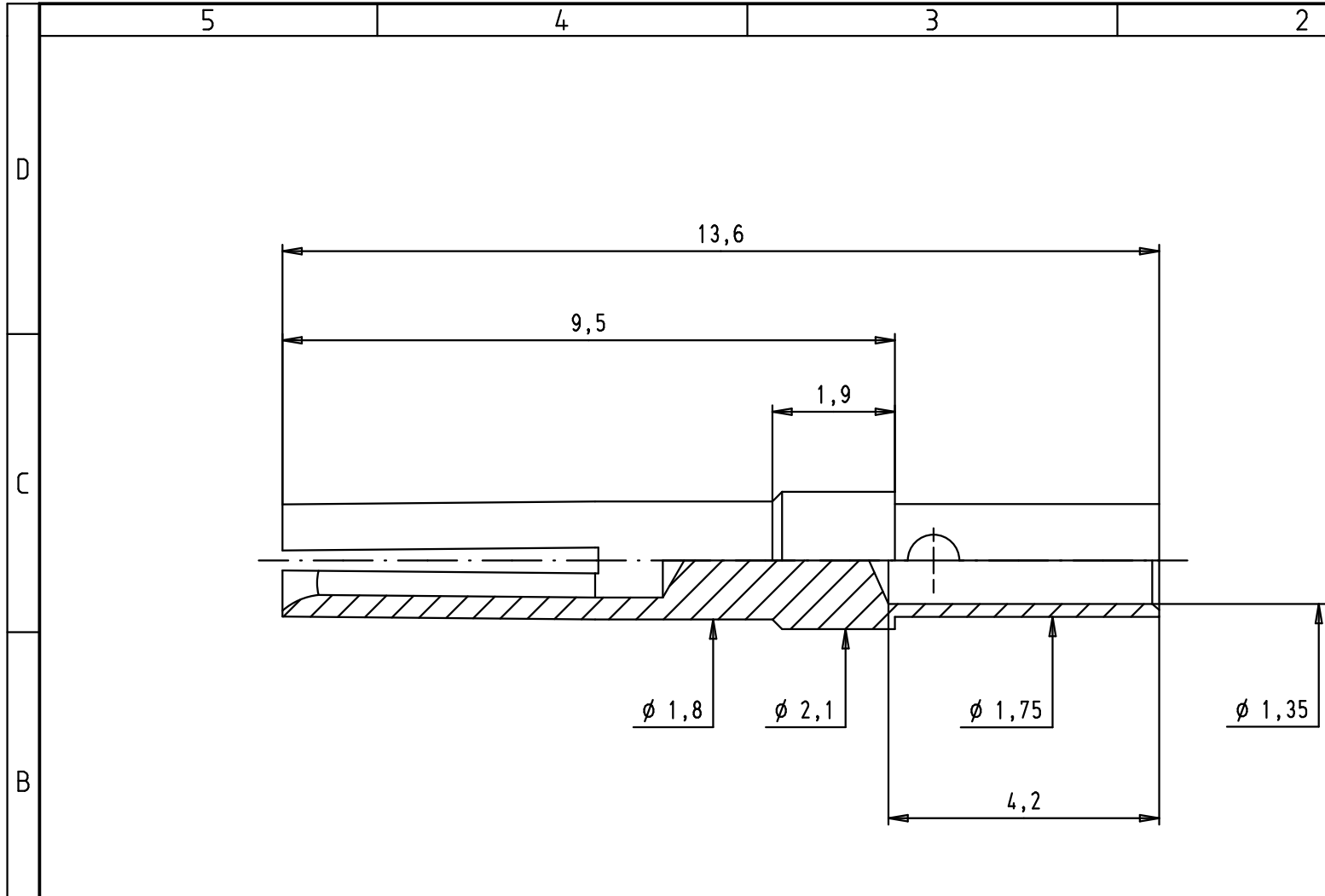


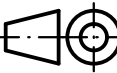
Alle Rechte vorbehalten/ All rights reserved



Crimping of AWG 18-22: hand tool 09 99 000 0501 with positioner 61 03 600 0024

61 03 000 0113	PL1
Part number	Performance level

Mod.	Dat.	Name	Detail.	Dat.	Name
EC00340	30/04/09	PK	Insp.	07/04/04	HAGE
34916	30/04/08	PK	Stand.		
33500	29/06/06	PK			
31986	07/04/04	HAGE			
			HARTING EURL F-95972 Paris		



All Dim. in mm
Orig. Size DIN A

