

Product data sheet

Miniature connectors



Product description **M16 Male panel mount connector, Contacts: 8 (08-a), unshielded, solder, IP40**

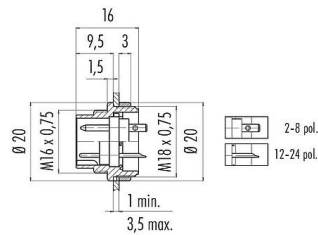
Area **series 680**

Part no. **09 0473 00 08**

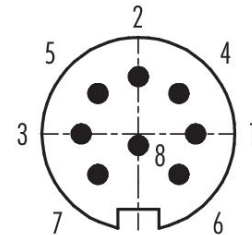
Illustration



Scale drawing



Contact arrangement (Plug-in side)



You can find the component part drawing and assembly instructions on the next page.

Technical data

General features

| | |
|---------------------------|-------------------------------|
| Part no. | 09 0473 00 08 |
| Connector design | Male panel mount connector |
| Type standard | DIN EN 61076-2-106 |
| Version | Connector pin straight |
| Connector locking system | screw |
| Termination | solder |
| Degree of protection | IP40 |
| Cross-sectional area | 0.75 mm ² / AWG 18 |
| Temperature range from/to | -40 °C / 85 °C |
| Mechanical operation | > 500 Mating cycles |
| Weight (g) | 11.68 |
| Customs tariff number | 85369010 |
| Country of Origin | DE |

Electrical parameters

| | |
|---------------------------|----------------------|
| Rated voltage | 60 V |
| Rated impulse voltage | 500 V |
| Rated current | 5.0 A |
| Insulation resistance | ≥ 10 ¹⁰ Ω |
| Pollution degree | 1 |
| Overvoltage category | I |
| Insulating material group | III |
| EMC compliance | unshielded |

Product data sheet

Miniature connectors



Product description **M16 Male panel mount connector, Contacts: 8 (08-a), unshielded, solder, IP40**

Area **series 680**
Part no. **09 0473 00 08**

Material

| | |
|-----------------------|--------------------------------------|
| Housing material | Zinc die-cast nickel-plated |
| Contact body material | PBT (UL94 V-0) |
| Contact material | CuZn (brass) |
| Contact plating | Ag (silver) |
| REACH SVHC | CAS 7439-92-1 (Lead) |
| SCIP number | fa567277-8fa8-4ba1-bdc6-9eed5d02380d |

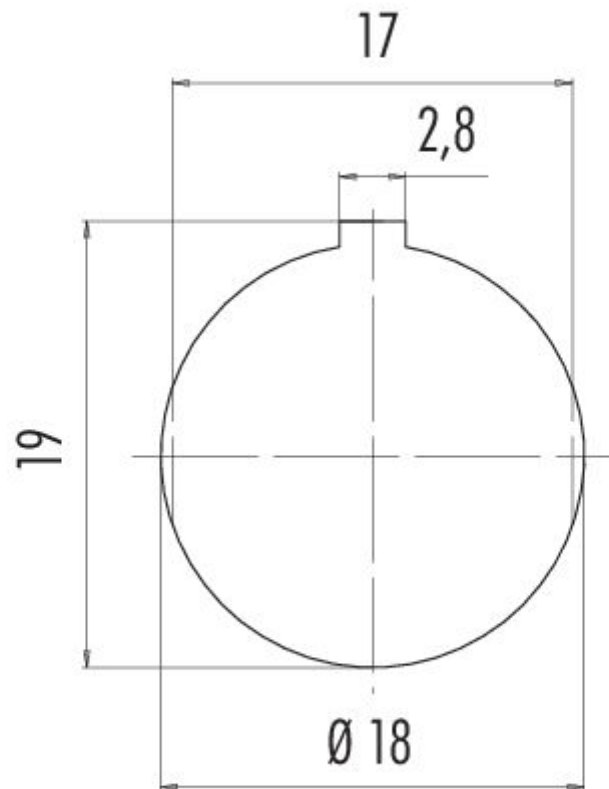
Classifications

| | |
|-------------|-------------|
| eCl@ss 11.1 | 27-44-01-09 |
| ETIM 9.0 | EC003569 |

Product data sheet
Miniature connectors

| | |
|---------------------|---|
| Product description | M16 Male panel mount connector, Contacts: 8 (08-a), unshielded, solder, IP40 |
| Area | series 680 |
| Part no. | 09 0473 00 08 |

Assembly instructions / Panel cut-out



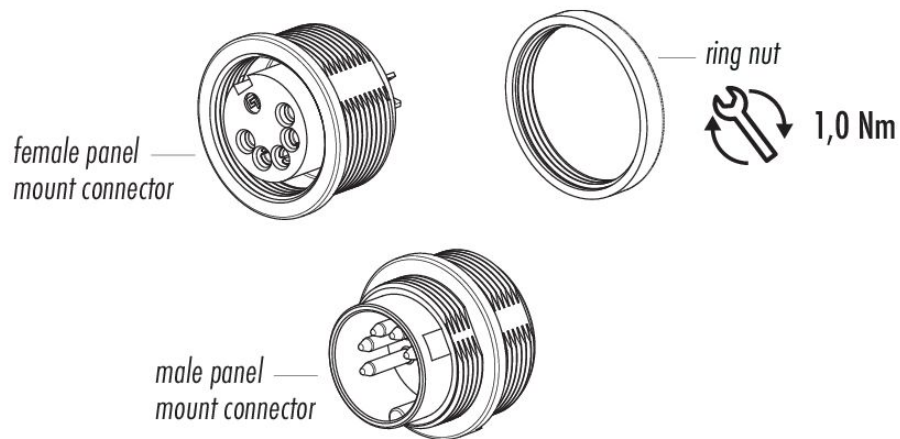
Product data sheet

Miniature connectors

Product description **M16 Male panel mount connector, Contacts: 8 (08-a), unshielded, solder, IP40**

Area **series 680**
Part no. **09 0473 00 08**

Component part drawing



Product data sheet

Miniature connectors



| | |
|---------------------|---|
| Product description | M16 Male panel mount connector, Contacts: 8 (08-a), unshielded, solder, IP40 |
| Area | series 680 |
| Part no. | 09 0473 00 08 |

General Disclaim Notice

The connector must not be plugged or unplugged under load. Non-observance and improper use can result in personal injury.

The connectors have been developed for applications in plant engineering, control and electrical equipment construction. The user is responsible for checking whether the connectors can also be used in other areas of application.

Connectors which are used in circuits with voltages dangerous to the touch may only be installed and used by, or under the supervision of, persons with electrical engineering training, taking into account the applicable regulations and standards.

The user must take suitable safety precautions to ensure that the connector cannot be accidentally disconnected.

The plug connector is not suitable for mains voltages Please observe the pollution degree and the overvoltage category. For further information, please refer to the download center "Technical Information".

To lock the cable connector with the device connector, the threaded ring is tightened "hand-tight" (approx. 60 cNm).