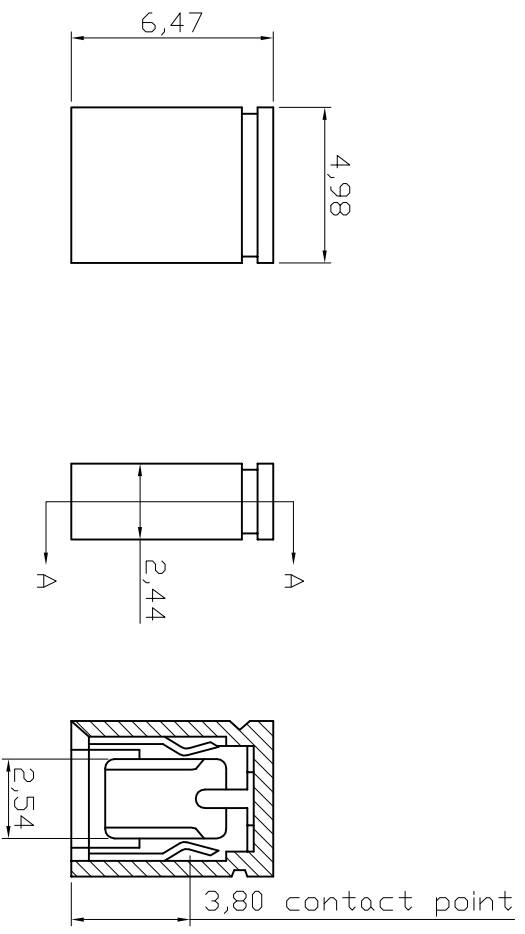


1	2	3	4	5	6	7	A
1	2	3	4	5	6	7	A
1	2	3	4	5	6	7	B
1	2	3	4	5	6	7	C
1	2	3	4	5	6	7	D
1	2	3	4	5	6	7	E
1	2	3	4	5	6	7	F
1	2	3	4	5	6	7	G
1	2	3	4	5	6	7	H



- NOTES:**
1. Insulation: Glass Filled PBT, UL94V-0, Color Black/Red/Blue
 2. Contact : Phosphor Bronze
 3. Current Rating: 3A Max
 4. Dielectric Voltage: 1000V rms / 1 minute
 5. Insulation Resistance: 1000M ohm Min.
 6. Contact Resistance: 30m ohm Max.
 7. Operating and Storage Temperature: -40°C ~ +105°C
 8. Mating Cycles: 10 Min.

AKSCT/x x

④ Contact Area Plating:
G: Gold Flash
Z: Tinned

② Insulation color:
BLACK: Black
BLUE: Blue
RED: Red

ROHS compliant
Unit:mm

Scale	Free																
TOLERANCE																	
.X	±0.38	④	Update	07.06.2013	Winnie	Drawn	10.04.2002	Hellwig	Customer-No.	ASSMANN WSW-No.	AKSCT/G X	AKSCT/Z X					
.XX	±0.25	④	Update	21.11.2012	Any	Approved	07.06.2013	Winnie	Drawing-No.	ASS 0591 CO	rev04						
.XXX	±0.13	③	Update	27.07.2009	Rate				Replace								
DIM	TOL	②	Update	10.04.2002	Hellwig				SHEET								
X. °	±1°	①	Drawn														
Angle	TOL		Modification														
UNIT	mm	Id.															