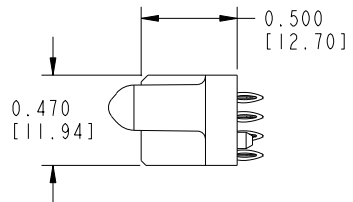
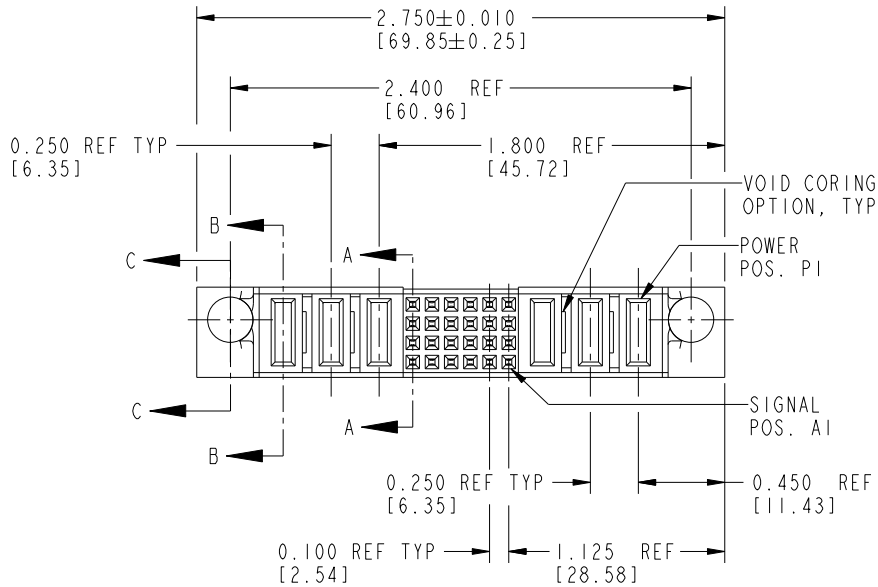
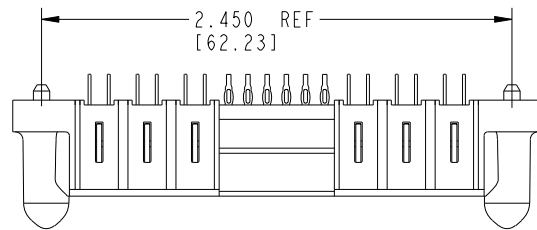


Tous droits strictement réservés. Reproduction ou communication a des tiers interdite sous quelque forme que ce soit sans autorisation écrite du propriétaire. Propriété de c FCI. Droits de reproduction FCI.



All rights strictly reserved. Reproduction or issue to third parties in any form whatever is not permitted without written authority from the proprietor. Property of FCI. Copyright FCI.

PRODUCT No.	ROWS	POWER				SIGNAL				POWER							
		E2	P6	P5	P4	6	5	4	3	2	1	P3	P2	P1	E1		
51750-011-- NOTE:3	D C B A																



CODE	DIM "M" ±0.010 [0.25]	CONTACT TYPE
PC	0.042 [1.07]	POWER
PF	0.092 [2.34]	POWER
F	N/A [N/A]	SIGNAL

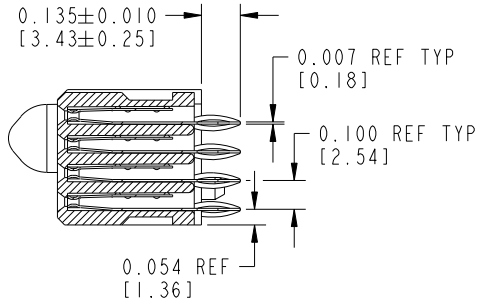
mat'l code				NOTE 2	tolerances unless otherwise specified		CUSTOMER		www.fciconnect.com
lfr	ecn no.	dr	date	linear	.xx±.01/0.X±0.3	projection	COPY	title	
A	V02930	CGD	12/14/00	angles	.xxx±.005/0.XX±0.13			3P + 24S + 3P	
B	DG05-0504	GJM	12/15/05		.xxx±.0020/.xxx±.051			VERTICAL PRESS-FIT RECEPTACLE	
C	DG08-0251	W D	09/13/08		0°±2°	INCH/MM		product family	PwrBlade
				dr	C, DAILY	12/14/00	scale	size	code
				enrg	J. DODDS	12/14/00	1:1	dwg no	213
				chr	J. DODDS	12/14/00		A	51750-011
				appd	J. DODDS	12/14/00			sheet
sheet index	revision sheet	C	C						1 of 3
		1	2	3					

Tous droits strictement réservés. Reproduction ou communication a des tiers interdite sous quelque forme que ce soit sans autorisation écrite du propriétaire. Propriété de c FCI. Droits de reproduction FCI.

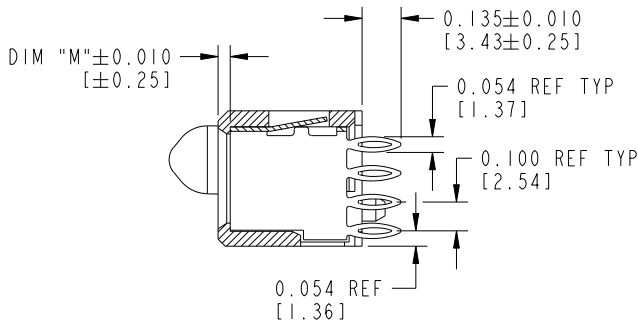


All rights strictly reserved. Reproduction or issue to third parties in any form whatever is not permitted without written authority from the proprietor. Property of FCI. Copyright FCI.

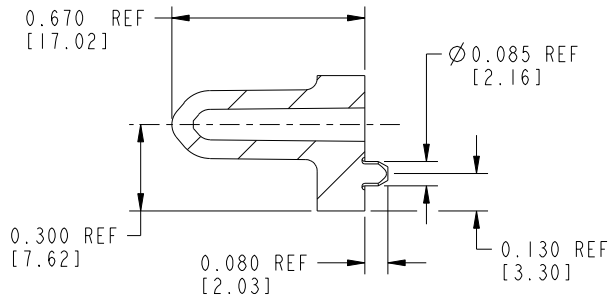
PRODUCT NUMBER
51750-011__



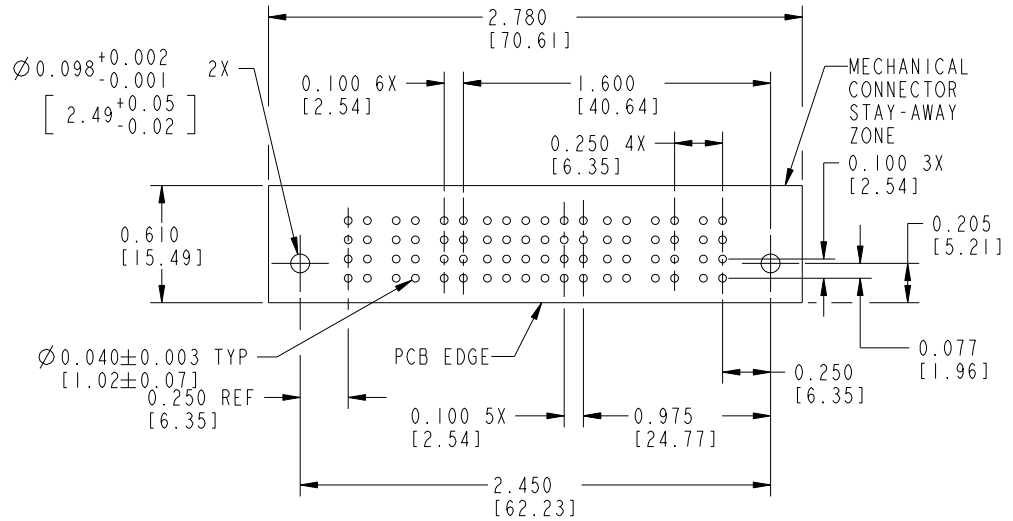
SECTION A-A
SCALE 3:2



SECTION B-B
SCALE 3:2



SECTION C-C
SCALE 3:2



RECOMMENDED PCB LAYOUT

mat'l code		NOTE 2		tolerances unless otherwise specified		CUSTOMER		FCI	
ltr	ecn no.	dr	date	linear	.xx±.01/0.X±0.3	COPY		www.fciconnect.com	
c				projection	.xxx±.005/0.xx±0.13	projection		title	
				angles	.xxx±.0020/.xxx±.051	INCH/MM		3P + 24S + 3P VERTICAL PRESS-FIT RECEPTACLE	
				dr	0°±2°	scale		product family	
				enrg	C, DAILY 12/14/00	1:1		PwrBlade	
				chr	J. BOBDS 12/14/00	A		code	
				appd	J. BOBDS 12/14/00	51750-011		213	
sheet index	revision sheet							sheet	
								2	

Pro/E

PDM: Rev: C

STATUS: Released

Printed: Dec 20, 2010

PRODUCT NUMBER
51750-011__

NOTES:

1. DIMENSIONS AND TOLERANCES ARE IN ACCORDANCE WITH ASME Y14.5M, 1994 UNLESS OTHERWISE

CONNECTOR NOTES:

2. HOUSING MATERIAL: UL 94 V-0 GLASS FILLED HIGH-TEMP THERMOPLASTIC
 POWER CONTACT MATERIAL: COPPER ALLOY
 SIGNAL PIN MATERIAL: COPPER ALLOY

3. SEE ITEM 7 & 8 IN PRINT 10064183 FOR PLATING SPEC OF 51750-011 AND 51750-011LF RESPECTIVELY.

4. MANUFACTURER'S NAME, P/N, AND DATE CODE TO APPEAR ON THIS SURFACE.

5. PRODUCT SPECIFICATION GS-12-149. APPLICATION SPECIFICATION BUS-20-067.

PCB NOTES:

6. ALL DIMENSIONS ARE BASIC UNLESS OTHERWISE SPECIFIED.


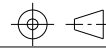
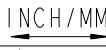
7. ALL THROUGH HOLES ARE LOCATED WITH A TRUE POSITION OF .004 [0.10]

8. ALL HOLE DIAMETERS ARE FINISHED HOLE SIZE

9. Ø0.098 [2.49] THROUGH HOLES ARE UNPLATED

10. Ø0.0453±0.0010 [1.151±0.025] DRILLED HOLES PLATED WITH 0.0003 [0.008] MIN SnPb OVER 0.001 [0.03] TO 0.003 [0.08] Cu PLATING TO ACHIEVE A Ø0.040±0.003 [1.02±0.07] HOLE.

11. A  SYMBOL WILL BE NEXT TO ANY DIMENSION, VIEW, OR NOTE WHICH HAS BEEN MODIFIED WITH THE CURRENT DRAWING REVISION.

mat'l code		NOTE 2		tolerances unless otherwise specified		CUSTOMER			
lfr	ecn no.	dr	date	linear	.XX±.01/0.X±0.3	COPY		www.fciconnect.com	
c				projection	.XXX±.005/0.XX±0.13			title	
				angles	.XXX±.002/.XXX±.051			3P + 24S + 3P	
				dr	0°±2°	INCH/MM		VERTICAL PRESS-FIT RECEPTACLE	
				enr	C, DAILY 12/14/00	scale		product family	
				chr	J. DODDS 12/14/00	1:1		PwrBlade	
				appd	J. DODDS 12/14/00	size		code	
sheet index		revision sheet				A		213	
						51750-011		sheet	
								3	

Tous droits strictement réservés. Reproduction ou communication a des tiers interdite sous quelque forme que ce soit sans autorisation écrite du propriétaire. Propriete de c FCI. Droits de reproduction FCI.



All rights strictly reserved. Reproduction or issue to third parties in any form whatever is not permitted without written authority from the proprietor. Property of FCI. Copyright FCI.

A

A

B

B

Mouser Electronics

Authorized Distributor

Click to View Pricing, Inventory, Delivery & Lifecycle Information:

[FCI / Amphenol:](#)

[51750-011LF](#) [51750-011](#)