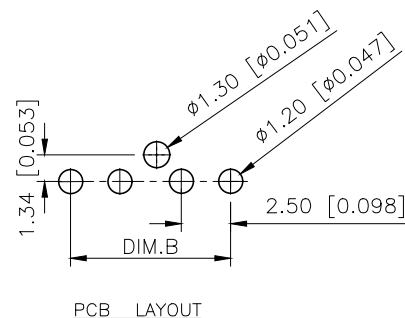
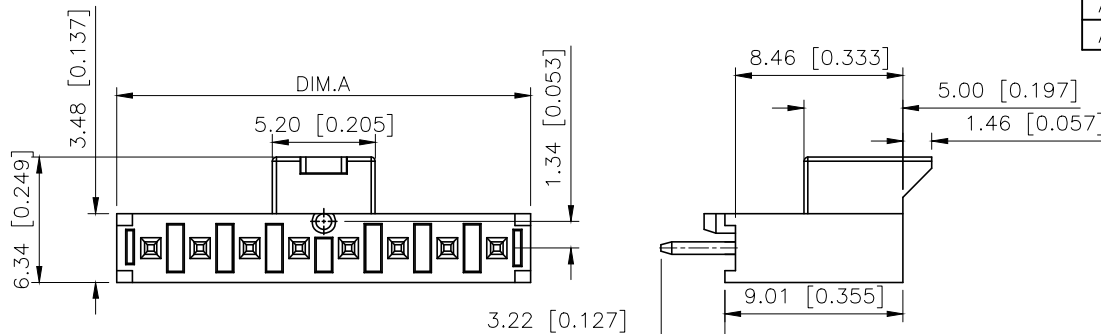
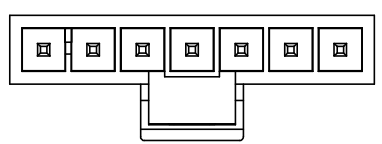
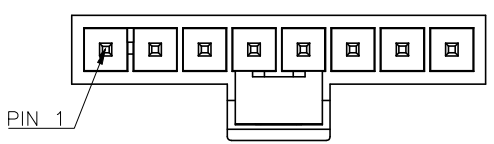
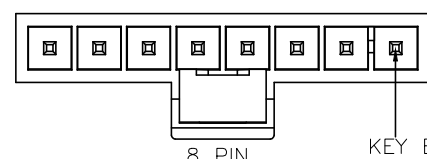
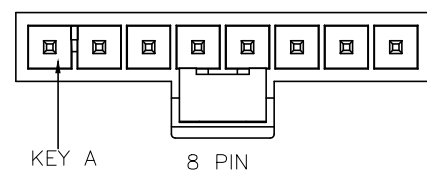
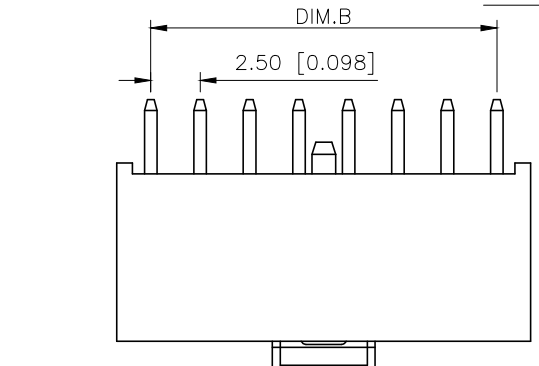
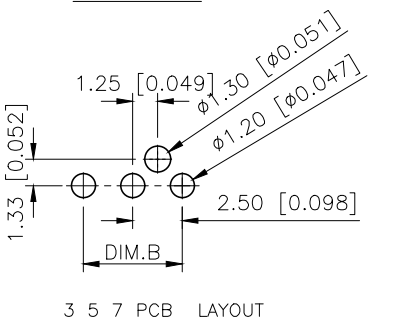


REVISIONS					
REV.	ECN NO.	LOCATION	DESCRIPTION	DATE	DESIGN
A0	N/A		INITIAL RELEASE	/	/
A1	N/A		图面升级整理图面	2025.2.8	阿树



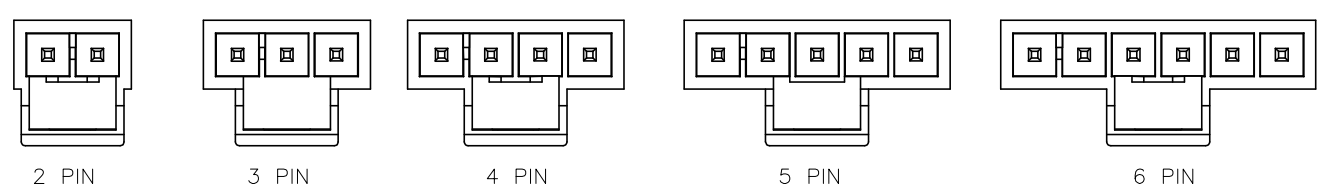
Specifications:  
 规格:  
 Voltage rating:400V AC/DC  
 额定电压: 400V AC/DC  
 Current rating:10A AC/DC  
 额定电流: 10A AC/DC  
 Withstanding voltage:1800V AC/minute  
 耐受电压: 1800V AC/分钟  
 Temperature range:-40°C~+105°C  
 温度范围: -40°C~+105°C  
 Insulation resistance:100MΩ min  
 绝缘电阻: 100MΩ Min  
 Contact resistance:10mΩ Max  
 接触电阻: 10mΩ Max



PART NO.:  
X2513 W V-XX X S-LP SN  
 ① ② ③ ④ ⑤ ⑥ ⑦ ⑧

- ①Series No
- ②Category:W-Wafer
- ③Welding Board Angle:V-Stright 180°
- ④Row No.Pin No:XX-02~08P
- ⑤Specal No:A-A Key(Black);B-B Key(Natural)
- ⑥Specal No:S-With Positioning Column
- ⑦Material:LP-LCP 94V-0
- ⑧Plating Category:SN-Bright Tin Plating

Poles	Dimensions(mm)	
	A	B
02	5.94	2.50
03	8.44	5.00
04	10.94	7.50
05	13.44	10.00
06	15.94	12.50
07	18.44	15.00
08	20.94	17.50



X2513WV-XXXX-LPSN	LCP	Brass	X2513H
PART NO	Material	Material(Pin)	Suitable XKB Housing

AuGLAR	±5°
X.	±0.40
X.x	±0.30
X.xx	±0.20
X.xxx	±0.15
UNSPECIFIED TOLERANCES	



DESIGN	阿树	VIEW:		MODEL TYPE:	2.50mm Crimp Style Connector
CHECKED		UNIT:	mm/in	PART NO.:	X2513WV-XXXX-LPSN
APPROVED		SIZE:	A4	DWG NO.:	