

PLUGSERIES PRS 24Vdc LD 2CO

Weidmüller Interface GmbH & Co. KG
 Klingenbergstraße 16
 D-32758 Detmold
 Germany
 Fon: +49 5231 14-0
 Fax: +49 5231 14-292083
 www.weidmueller.com



High power/currents can be safely switched with the PLUGSERIES. The modular system enables conventional relays and LED indicators simply to be plugged in. Retaining and disassembly clips provide a secure mount. Pre-assembled relays with 1 or 2 changeover contacts and input voltages from 24V to 230V round of the product range. Plug-in ZQV 2.5 cross-connectors enable relay multiplexers to be set up quickly thanks to simple side-by-side mounting.

General ordering data

Type	PRS 24Vdc LD 2CO
Order No.	8530631001
Version	PLUGSERIES, Relays, No. of contacts: 2, CO contact, AgNi 90/10, Rated control voltage: 24 V DC $\pm 10\%$, Continuous current: 8 A, Screw connection
GTIN (EAN)	4032248216277
Qty.	10 pc(s).

**PLUGSERIES
PRS 24Vdc LD 2CO**

Weidmüller Interface GmbH & Co. KG
 Klingenbergstraße 16
 D-32758 Detmold
 Germany
 Fon: +49 5231 14-0
 Fax: +49 5231 14-292083
 www.weidmueller.com

Technical data**Dimensions and weights**

Width	15.3 mm	Height	92 mm
Depth	95 mm	Net weight	66.7 g

Temperatures

Humidity	40 °C / 93 % rel. humidity, no condensation	Operating temperature	-40 °C...+50 °C
Storage temperature	-40 °C...+85 °C		

Input

Protective circuit	Integrated free-wheel diode	Rated control voltage	24 V DC \pm 10 %
Rated current DC	20 mA	Coil resistance	1,440 Ω \pm 10 %
Power rating	400 mW	Pull-in (sparkover) drop-out voltage DC coil	16.8 V / 2.4 V
Status indicator	Green LED		

Output

Rated switching voltage	250 V AC	Max. switching voltage, AC	400 V
Continuous current	8 A	Inrush current	15 A / 4 s
Max. switching power	2000 VA	Response time	8 ms / 6 ms
Min. switching power	100 mA / 5 V, 10 V / 10 mA, 24 V / 1 mA	Max. switching frequency at rated load	0.1 Hz

Contact data

No. of contacts	2	Contact design	CO contact
Contact material	AgNi 90/10	Mechanical service life	30 x 10 ⁶ switching cycles

General data

Wire connection method	Screw connection	Humidity	40 °C / 93 % rel. humidity, no condensation
UL 94 flammability rating	V-0	Wire cross-section, solid, max.	2.5 mm ²

Insulation coordination

Creepage and clearance distance input – output	\geq 8 mm	Rated voltage	300 V AC _{eff}
Impulse withstand voltage	6 kV (1.2/50 μ s)	Protection degree	IP 20
Pollution severity	2	Surge voltage category	III

Other technical data

Version	Relay coupler	Protective circuit	Integrated free-wheel diode
Status indicator	Green LED		

Further details of approvals / standards

Standards	DIN EN 50178
-----------	--------------

Data sheet

**PLUGSERIES
PRS 24Vdc LD 2CO**

Weidmüller Interface GmbH & Co. KG
 Klingenbergstraße 16
 D-32758 Detmold
 Germany
 Fon: +49 5231 14-0
 Fax: +49 5231 14-292083
 www.weidmueller.com

Technical data

Connection data

Clamping range, rated connection	2.5 mm ²	Clamping range, rated connection, max.	2.5 mm ²
Clamping range, rated connection, min.	0.5 mm ²	Stripping length, rated connection	8 mm
Tightening torque, max.	0.7 Nm	Wire connection cross section, finely stranded, max.	2.5 mm ²
Wire connection cross-section, finely stranded, min.	0.5 mm ²	Wire connection method	Screw connection
Wire cross-section, solid, max.	2.5 mm ²	Wire cross-section, solid, min.	0.5 mm ²

Classifications

ETIM 3.0	EC001437	UNSPSC	30-21-19-17
eClass 5.1	27-37-16-01	eClass 6.2	27-37-16-01
eClass 7.1	27-37-16-01		

Product information

Descriptive text technical data	Cross-connectors and markers - refer to PLUGSERIES Accessories.
---------------------------------	---

Approvals

Approvals	
ROHS	Conform

Downloads

Declaration of Conformity	K217_09_09.pdf
	3-D model

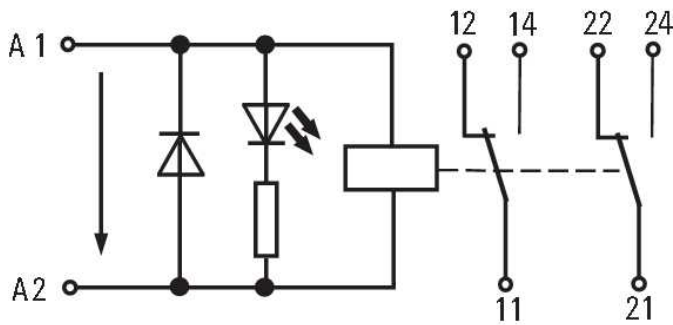
**PLUGSERIES
PRS 24Vdc LD 2CO**

Weidmüller Interface GmbH & Co. KG
 Klingenbergstraße 16
 D-32758 Detmold
 Germany
 Fon: +49 5231 14-0
 Fax: +49 5231 14-292083
 www.weidmueller.com

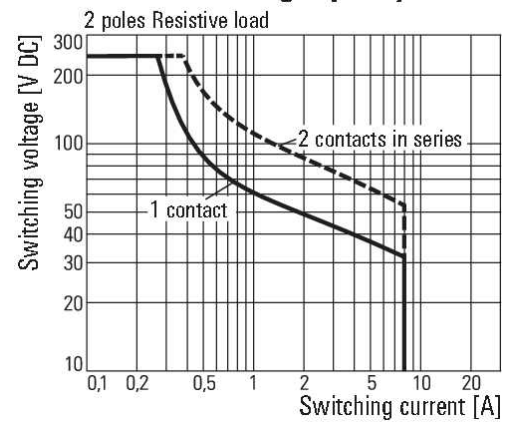
Drawings

Electric symbol

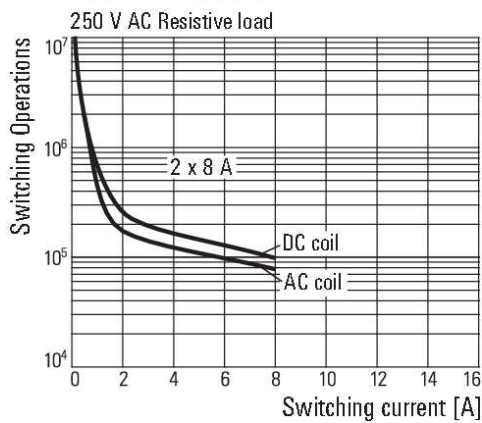
DC-Version



DC load breaking capacity



Electrical endurance



**PLUGSERIES
PRS 24Vdc LD 2CO**

Weidmüller Interface GmbH & Co. KG
Klingenbergstraße 16
D-32758 Detmold
Germany
Fon: +49 5231 14-0
Fax: +49 5231 14-292083
www.weidmueller.com

Accessories

cross-connector



High power/currents can be safely switched with the PLUGSERIES. The modular system enables conventional relays and LED indicators simply to be plugged in. Retaining and disassembly clips provide a secure mount. Pre-assembled relays with 1 or 2 changeover contacts and input voltages from 24V to 230V round of the product range. Plug-in ZQV 2.5 cross-connectors enable relay multiplexers to be set up quickly thanks to simple side-by-side mounting.

General ordering data

Type	Order No.	Version	GTIN (EAN)	Qty.
ZQV 2.5N 1/4-2 SW	1784270000	PLUGSERIES, Relays	4032248214679	60 pc(s).
ZQV 2.5N 1/4-2 RT	1784280000	PLUGSERIES, Relays	4032248214686	60 pc(s).
ZQV 2.5N 1/4-2 BL	1784290000	PLUGSERIES, Relays	4032248216383	60 pc(s).

Blank



WS markers are the perfect match for the W-series connectors. Thanks to their system compatibility, the WS tags can also be used with the I-series and the Z-series. The large marking surfaces do not only permit long character strings but also multi-line text. WS markers are ideal for labels with long, customised character strings. Thanks to the proven MultiCard format, printing with laser printer, PrintJet ADVANCED, plotter or MC-Mobilo is possible.

- Can be fitted in strips or individually
- Markers in proven MultiCard format

General ordering data

Type	Order No.	Version	GTIN (EAN)	Qty.
WS 10/5 MC NE WS	1635000000	Terminal markers, MultiCard, 10 x 5 mm, Polyamide 66, Colour: White	4008190261948	720 pc(s).

**PLUGSERIES
PRS 24Vdc LD 2CO**

Weidmüller Interface GmbH & Co. KG
Klingenbergstraße 16
D-32758 Detmold
Germany
Fon: +49 5231 14-0
Fax: +49 5231 14-292083
www.weidmueller.com

Accessories

Blank



WS markers are the perfect match for the W-series connectors. Thanks to their system compatibility, the WS tags can also be used with the I-series and the Z-series. The large marking surfaces do not only permit long character strings but also multi-line text. WS markers are ideal for labels with long, customised character strings. Thanks to the proven MultiCard format, printing with laser printer, PrintJet ADVANCED, plotter or MC-Mobilo is possible.

- Can be fitted in strips or individually
- Markers in proven MultiCard format

General ordering data

Type	Order No.	Version	GTIN (EAN)	Qty.
WS 15/5 MC	1609880000	Terminal markers, MultiCard, 15 x 5 mm, Polyamide 66, Colour: White	4008190203504	480 pc(s).
NE WS				

LED with freewheeling diode



High power/currents can be safely switched with the PLUGSERIES. The modular system enables conventional relays and LED indicators simply to be plugged in. Retaining and disassembly clips provide a secure mount. Pre-assembled relays with 1 or 2 changeover contacts and input voltages from 24V to 230V round of the product range. Plug-in ZQV 2.5 cross-connectors enable relay multiplexers to be set up quickly thanks to simple side-by-side mounting.

General ordering data

Type	Order No.	Version	GTIN (EAN)	Qty.
PLED 24Vdc	8536710000	PLUGSERIES, Relays, Plug-in connection	4032248171972	20 pc(s).

**PLUGSERIES
PRS 24Vdc LD 2CO**

Weidmüller Interface GmbH & Co. KG
 Klingenbergstraße 16
 D-32758 Detmold
 Germany
 Fon: +49 5231 14-0
 Fax: +49 5231 14-292083
 www.weidmueller.com

Accessories

Retaining clip



High power/currents can be safely switched with the PLUGSERIES. The modular system enables conventional relays and LED indicators simply to be plugged in. Retaining and disassembly clips provide a secure mount. Pre-assembled relays with 1 or 2 changeover contacts and input voltages from 24V to 230V round of the product range. Plug-in ZQV 2.5 cross-connectors enable relay multiplexers to be set up quickly thanks to simple side-by-side mounting.

General ordering data

Type	Order No.	Version	GTIN (EAN)	Qty.
PRC	8536700000	PLUGSERIES, Relays	4032248171965	100 pc(s).
Haltebuegel				