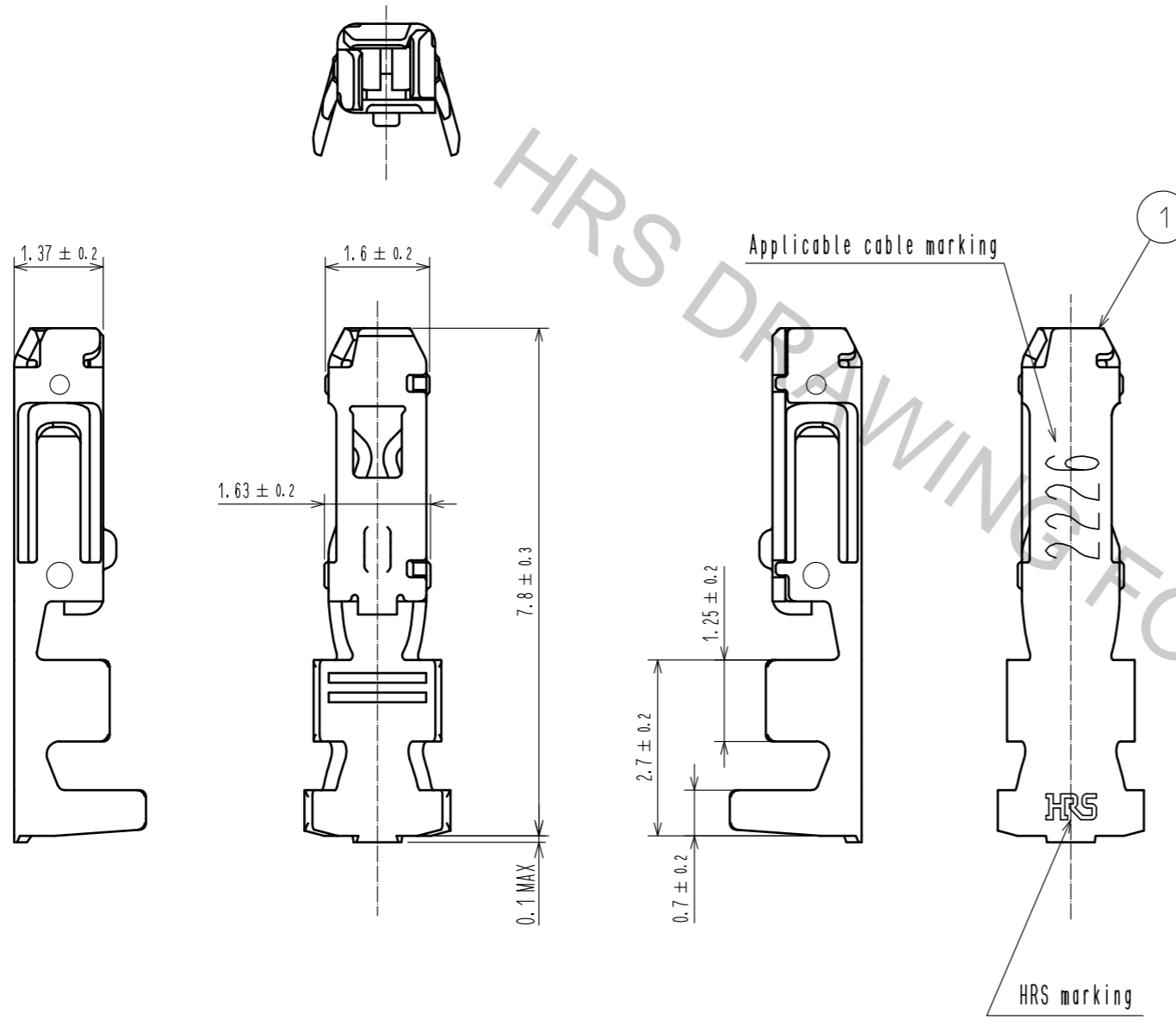


Sep.1.2018 Copyright 2018 HIROSE ELECTRIC CO., LTD. All Rights Reserved.  
 In case that the application demands a high level of reliability, such as automotive,  
 please contact a company representative for further information.



Note 1. Per pack : 100 pieces.

NO.		MATERIAL		FINISH . REMARKS		NO.		MATERIAL		FINISH . REMARKS	
						1		Phosphor bronze		Tin plating 1 μm MIN	
UNITS	mm	SCALE	10 : 1	COUNT	1	DESCRIPTION OF REVISIONS		DESIGNED	CHECKED	DATE	
						DIS-H-00002947		HT. SATO	TS. FUKUSHIMA	17. 06. 22	
<b>HRS</b>		HIROSE ELECTRIC CO., LTD.		APPROVED : KI. AKIYAMA		15. 08. 24		DRAWING NO.		EDC-353732-00-00	
				CHECKED : TS. FUKUSHIMA		15. 08. 24		PART NO.		DF62W-2226SC	
				DESIGNED : YK. YAMAGUCHI		15. 08. 24		CODE NO.		CL544-1012-0-00	
				DRAWN : MI. SAKIMURA		15. 08. 24				1/1	