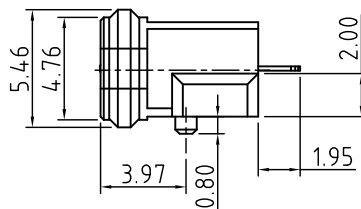
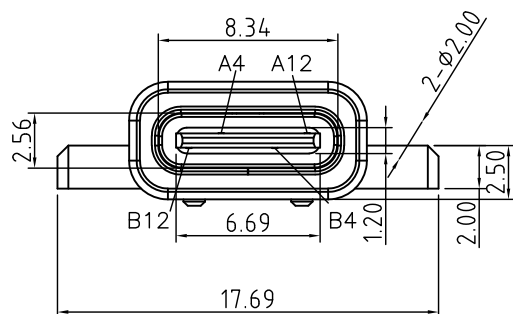


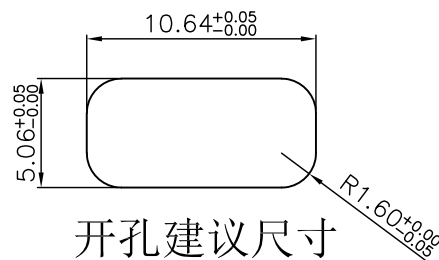
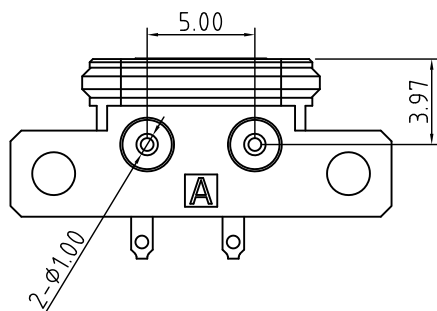
NOTES:

SPECIFICATION:

1. CURRENT RATING: 3.0A MAX
2. DIELECTRIC WITHSTAND VOLTAGE: 100VAC
3. TEMPERATURE RANGE: -30 °C ~ 85 °C
4. CONTACT RESISTANCE: 40 MILLIONHM MAX
5. INSULATION RESISTANCE: 100 MEGOHMS MIN.
6. INSERTION FORCE : 5N~20N
7. UNMATING FORCE: 8N~20N
8. DURABILITY:5000 CYCLES



A4	VBUS	B12	GND
A12	GND	B4	VBUS
PIN	SIGNAL NAME	PIN	SIGNAL NAME



开孔建议尺寸

组装时，加润滑油后更容易组装

4	Shell1	1	SUS304 Ni Plating T=0.3mm	Ni:40~120u";
3	Housing2	1	LCP(G.F30%)	
2	Contact	4	Phosphor bronze C5210R-EH Au/Ni Plating T=0.20mm	Ni:40~160u"; Au:CONTACT AREA:3u", OTHER AREA:G/F
1	Housing	1	PA9T (G.F30%)	
ITEM	PARTNAME	Q' TY	FINISH	NOTE



深圳市华宇创精密电子有限公司

TOLERANCE: X.X ±0.30 X.XX ±0.25 X.XXX ±0.15 X' ±2' X.X' ±0.5'	DRAWN BY : 陈一鸣 DATE : 2014-02-23	PART NAME: 防水USB TYPE C 母座2P 外接焊线式
	CHECKED BY : 马跃 DATE : 2014-02-23	PART NO. : HYCW314-USBC02-136B MOLD NO. :
UNIT: mm [inch] SCALE:1:1 SIZE: A4	APPROVED BY : 邱敏 DATE : 2014-02-23	DRAW NO. : HYC-2204151714 SHEET NO. : 1 OF 1