

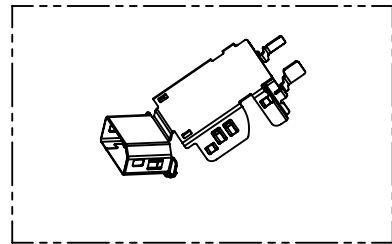
Contact material: copper alloy  
 Contact area: Gold 0.2µm min.  
 Wiring area: Gold 0.03µm min.  
 Under plating: Nickel 2µm min.

Applicable cable	
Items	Applicable condition
Conductor size	AWG 28-22
Insulation O.D.	Ø1.55mm max.
Braid Shield	Tin plating
Sheath O.D.	Ø6.3mm - Ø7.2mm

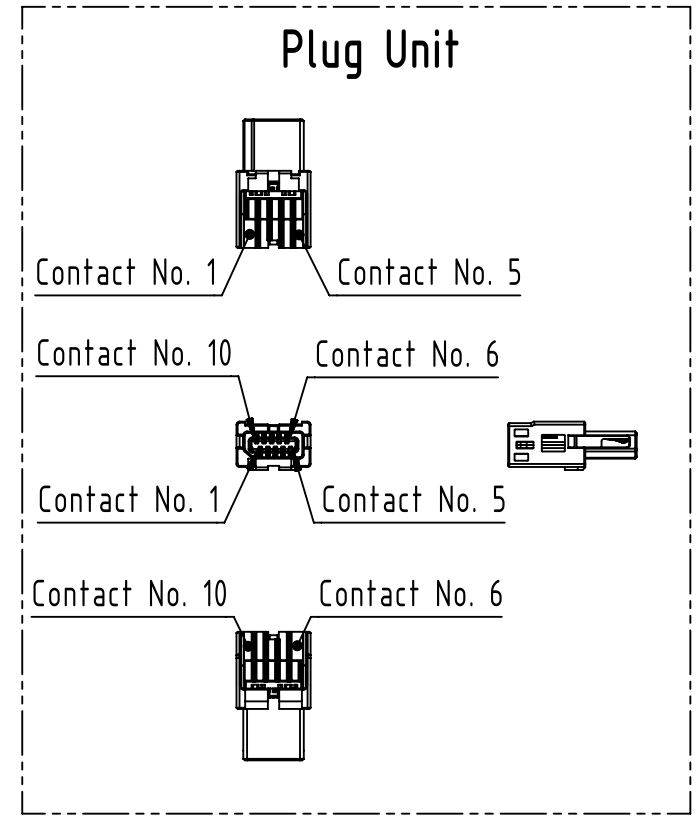
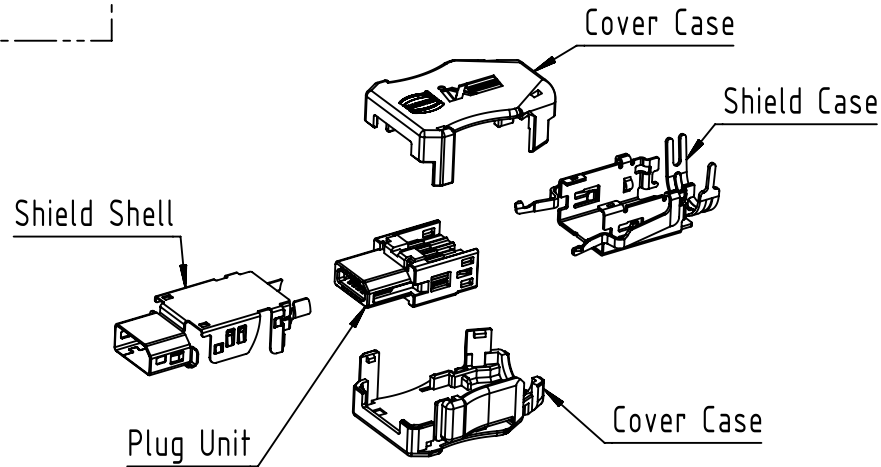
Pin	10/100 Mbit/s	1/10 Gbit/s
1	TX+	BI_DA+
2	TX-	BI_DA-
3	N.C.	N.C.
4	N.C.	BI_DC+
5	N.C.	BI_DC-
6	RX+	BI_DB+
7	RX-	BI_DB-
8	N.C.	N.C.
9	N.C.	BI_DD+
10	N.C.	BI_DD-

	All Dimensions in mm Original Size DIN A4	Scale 2:1	Free size tol.		Ref. Sub.	
	All rights reserved Department EL PD	Created by POPESCUD	Inspected by PRIESTER	Standardisation HOFFMANN	Date 2018-08-27	State Final Release
HARTING Electronics GmbH D-32339 Espelkamp		Title ix Industrial 10A-1 plug SL-S			Doc-Key / ECM-Nr. 100690735/UGD/000/C 500000138273	
		Type TB	Number 09451812560		Rev. C	Page 1/2

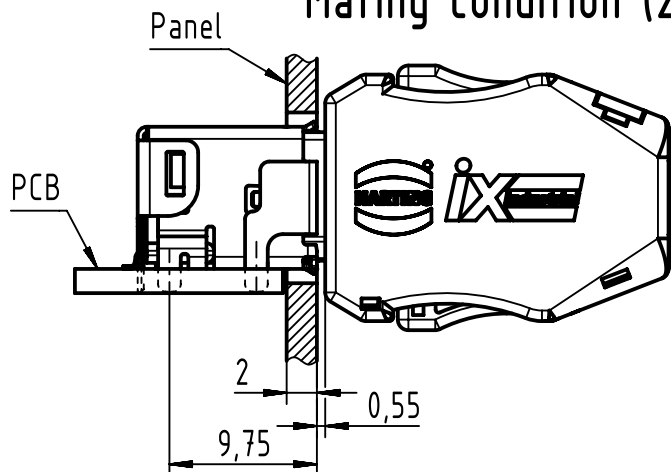
# Shield Shell delivery form



## Product Structure



## Mating condition (2:1)



	All Dimensions in mm Original Size DIN A4		Scale 1:1	Free size tol.		Ref.	
	All rights reserved Department EL PD		Created by POPESCUD	Inspected by PRIESTER	Standardisation HOFFMANN	Sub.	
HARTING Electronics GmbH D-32339 Espelkamp		Title ix Industrial 10A-1 plug SL-S				Date 2018-08-27	State Final Release
		Type TB      Number 09451812560				Doc-Key / ECM-Nr. 100690735/UGD/000/C 500000138273	Rev. C      Page 2/2