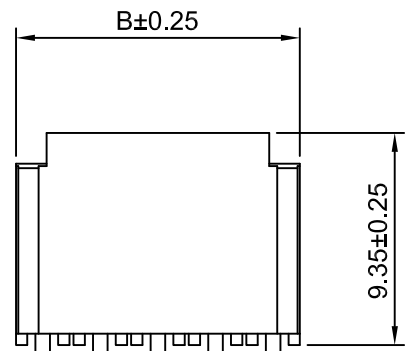
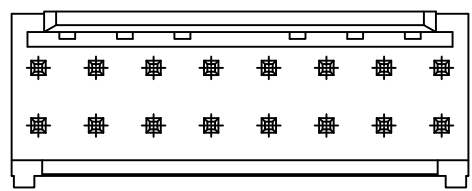


2x2P~2x7P



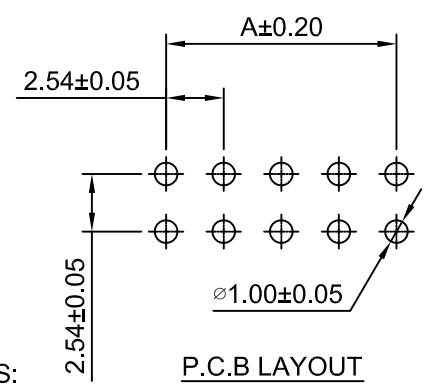
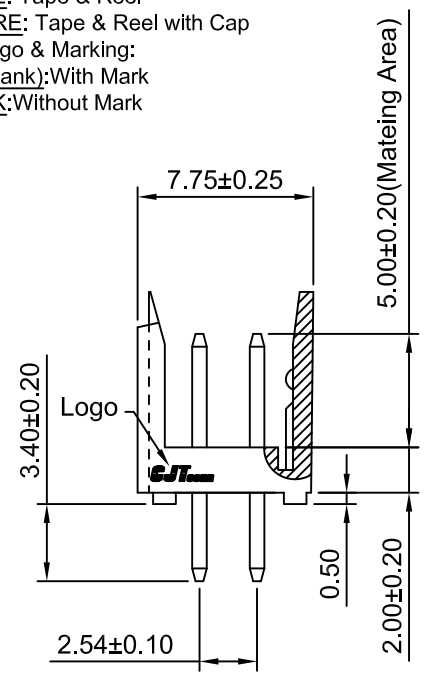
PIN 0.64 SQ



2x8P~2x18P

Ordering Information:  
 A2549WVK-2xXP - \*\*\* - \*\*\* - \*\* - \*\*\*  
 1 2 3 4 5

- 1.Part No.
- 2.Color:  
 (blank):Blue  
 BK:Black
- 3.Finish:  
 (blank):Tin over Nickel  
 G:Gold-flash  
 G30:30μin (0.76μm) MIN.Select Gold(Mating Area)  
 100μin (2.54μm) MIN.Select Tin
- 4.Packing:  
 RE: Tape & Reel  
 CRE: Tape & Reel with Cap
- 5.Logo & Marking:  
 (blank):With Mark  
 NK:Without Mark



P.C.B LAYOUT

**SPECIFICATIONS:**  
 Current Rating: 3A AC,DC  
 Voltage Rating: 250V AC,DC  
 Temperature Range: -40°C ~ +105°C  
 Contact Resistance: 20mΩ Max  
 Insulation Resistance: 1000MΩ Min  
 Withstanding Voltage: 1000V AC/minute  
 Pin Material: Brass/Tin over Nickel  
 Material: Nylon 66+30%G.F,UL94V-0 (Blue)  
 Suitable for Reflow soldering: 265°C/10s

Ordering Information & Dimensions

Circuits	Dimensions(mm)		Circuits	Dimensions(mm)	
	A	B		A	B
2x2P	2.54	4.90	2x11P	25.40	27.76
2x3P	5.08	7.44	2x12P	27.94	30.30
2x4P	7.62	9.98	2x13P	30.48	32.84
2x5P	10.16	12.52	2x14P	33.02	35.38
2x6P	12.70	15.06	2x15P	35.56	37.92
2x7P	15.24	17.60	2x16P	38.10	40.46
2x8P	17.78	20.14	2x17P	40.64	43.00
2x9P	20.32	22.68	2x18P	43.18	45.54
2x10P	22.86	25.22			

**CJTconn** CHANGJIANG CONNECTORS CO.,LTD.

Unit: mm, Scale: 3:1, Sheet: 1 of 1

Draw By: Diankui Wan, Approved: Jack Yin

Title: 2.54mm Pitch  
 Dual Row 180° Wafer

REV	DESCRIPTION	DATE
A0	NEW RELEASE	2018.12.05

General Tolerance: x.x±0.25, x.xx±0.20, x.xxx±0.15  
 PROJECT: [Symbol]

DRAW NO: A2549WVK-2xXP, REV A0