

A

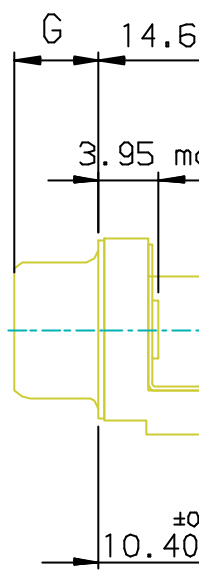
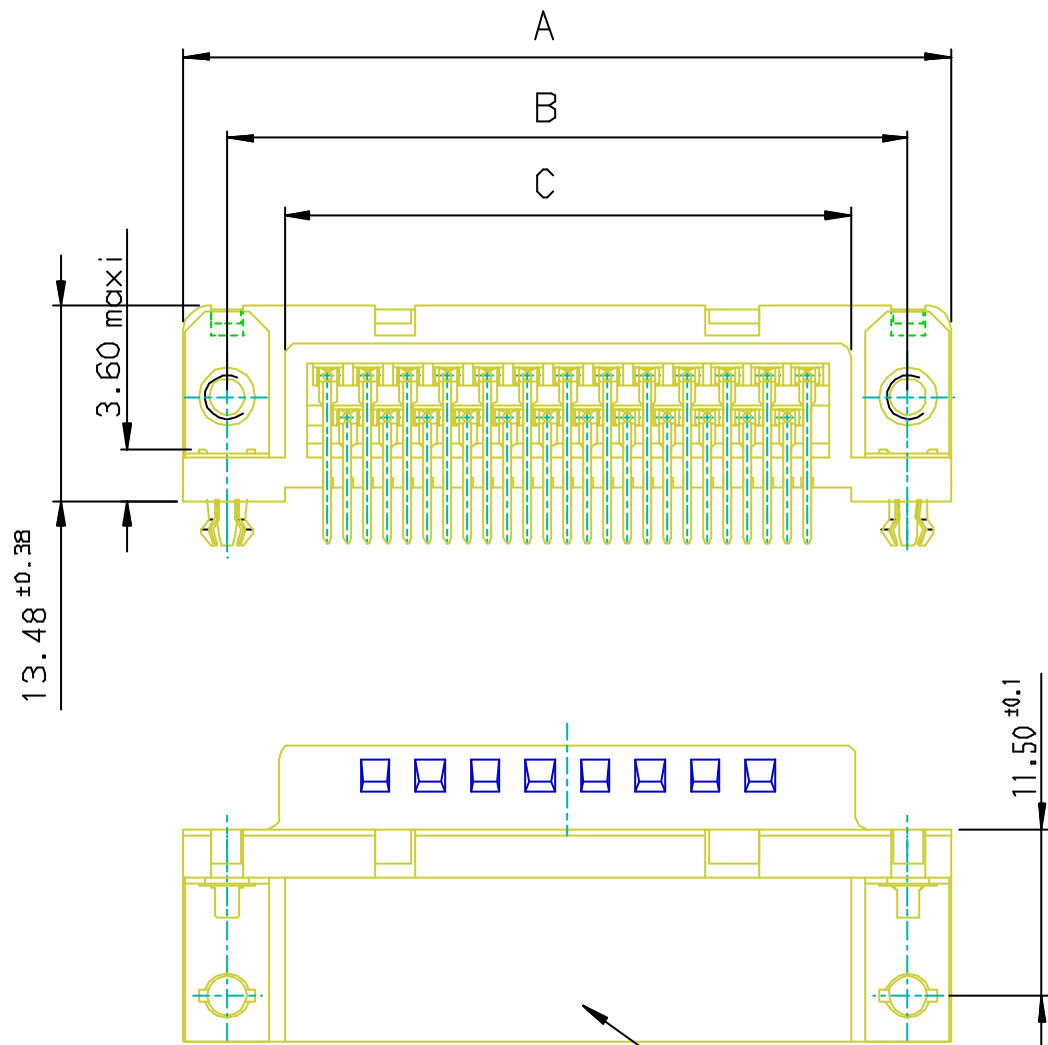
B

C

D

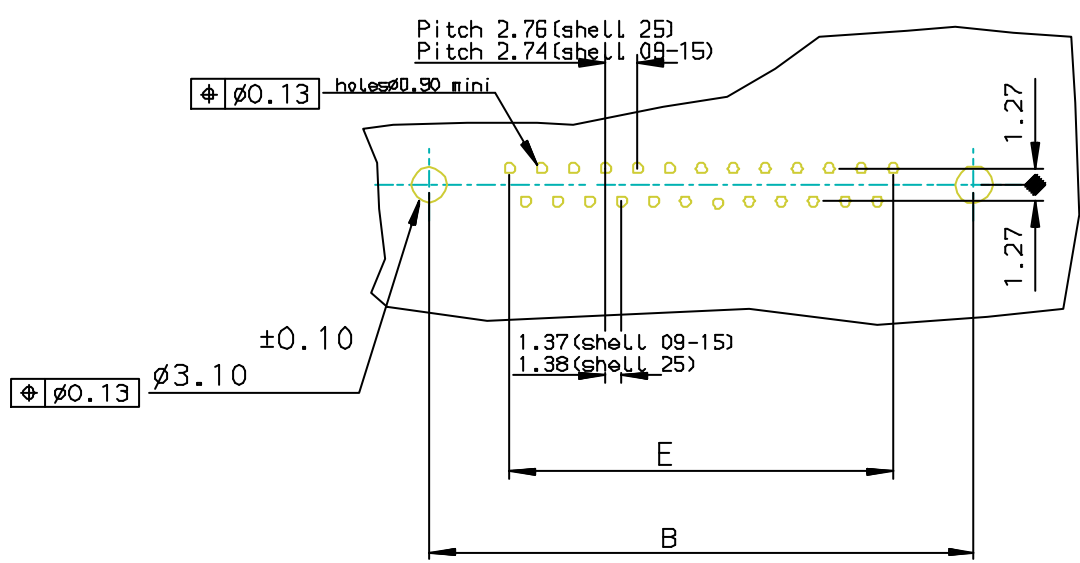
1

2



Part Number & Date Code P

PC card drilling dimensions(after plating)
(thickness 1.60±0.20mm)



rev	ecn no	dr
J	[05-0124	JS
K	[06-0074	SK
-	-	-
-	-	-
-	-	-
-	-	-
-	-	-

1

2



Copyright FCI.