



AS-Interface accessory Cover M12 for module IP67 tamper-proof design outer diameter 15 mm, with O-ring

**General technical data**

design of the product	For free M12 sockets
-----------------------	----------------------

**Certificates/ approvals**

General Product Approval	EMV	Marine / Shipping
--------------------------	-----	-------------------



[Confirmation](#)



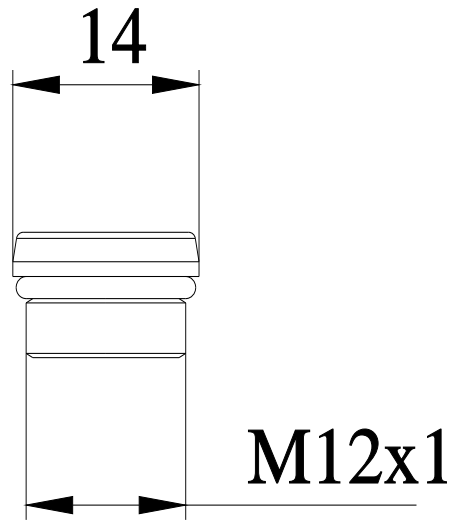
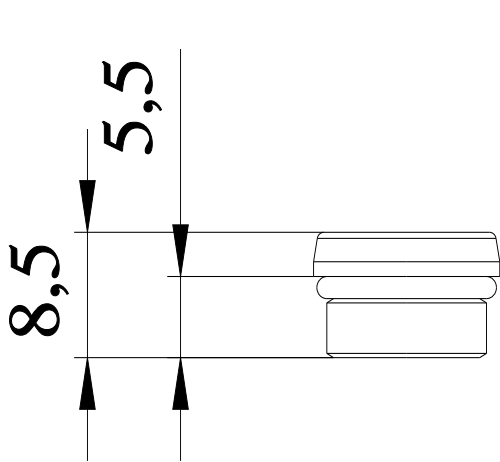
**other**      **Environment**

[Confirmation](#)

[Environmental Confirmations](#)

**Further information**

- Information on the packaging  
<https://support.industry.siemens.com/cs/ww/en/view/109813875>
- Information- and Downloadcenter (Catalogs, Brochures,...)  
<https://www.siemens.com/ic10>
- Industry Mall (Online ordering system)  
<https://mall.industry.siemens.com/mall/en/en/Catalog/product?mlfb=3RK1901-1KA01>
- Cax online generator  
<http://support.automation.siemens.com/WW/CAXorder/default.aspx?lang=en&mlfb=3RK1901-1KA01>
- Service&Support (Manuals, Certificates, Characteristics, FAQs,...)  
<https://support.industry.siemens.com/cs/ww/en/ps/3RK1901-1KA01>
- Image database (product images, 2D dimension drawings, 3D models, device circuit diagrams, EPLAN macros, ...)  
[http://www.automation.siemens.com/bilddb/cax\\_de.aspx?mlfb=3RK1901-1KA01&lang=en](http://www.automation.siemens.com/bilddb/cax_de.aspx?mlfb=3RK1901-1KA01&lang=en)



---

last modified:

1/8/2021 