

AB-SK 65-D INSULATED - Support bracket



3040889

<https://www.phoenixcontact.com/us/products/3040889>

Please be informed that the data shown in this PDF document is generated from our online catalog. Please find the complete data in the user documentation. Our general terms of use for downloads are valid.

Support bracket, Bracket for busbars, set every 20 cm, width: 8.2 mm, height: 150 mm, number of positions: 2, color: gray, mounting type: DIN rail mounting



Your advantages

- The double shield supports are particularly suitable for space-saving conductor connection for terminal blocks and devices with lateral cable entry
- For mounting SK shield connection clamps

Commercial data

Item number	3040889
Packing unit	10 pc
Minimum order quantity	10 pc
Sales key	BE07
Product key	BE7113
Catalog page	Page 573 (C-3-2019)
GTIN	4017918903589
Weight per piece (including packing)	18.8 g
Weight per piece (excluding packing)	18.27 g
Customs tariff number	85389099
Country of origin	PL

AB-SK 65-D INSULATED - Support bracket



3040889

<https://www.phoenixcontact.com/us/products/3040889>

Technical data

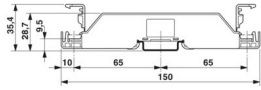
Product properties

Product type	Support bracket
Number of positions	2

Electrical properties

Nominal current I_N	0 A
-----------------------	-----

Dimensions

Dimensional drawing	
Width	8.2 mm
Height	150 mm
Depth on NS 35/7,5	28.7 mm
Depth on NS 35/15	36.2 mm

Material specifications

Color	gray
Material	PA
Flammability rating according to UL 94	V0
Insulating material	PA

Environmental and real-life conditions

Ambient conditions

Ambient temperature (operation)	-60 °C ... 105 °C (max. short-term operating temperature RTI Elec.)
Ambient temperature (storage/transport)	-25 °C ... 60 °C (for a short time, not exceeding 24 h, -60 °C to +70 °C)
Ambient temperature (assembly)	-5 °C ... 70 °C
Ambient temperature (actuation)	-5 °C ... 70 °C
Permissible humidity (storage/transport)	30 % ... 70 %

Mounting

Mounting type	DIN rail mounting
---------------	-------------------

AB-SK 65-D INSULATED - Support bracket

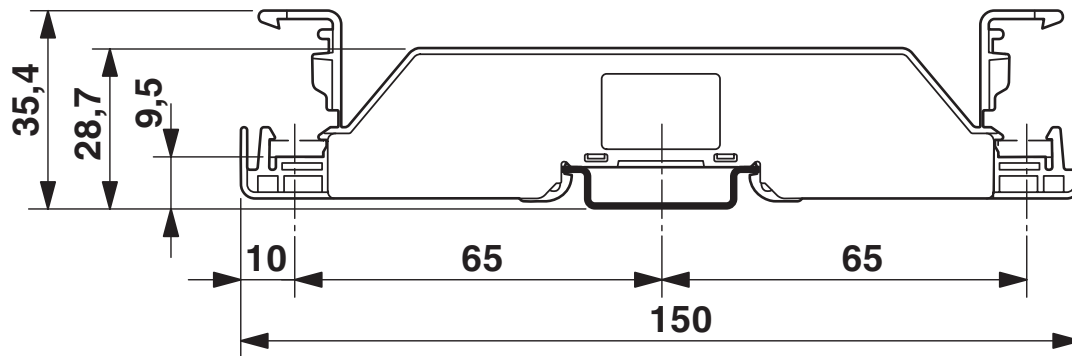


3040889

<https://www.phoenixcontact.com/us/products/3040889>

Drawings

Dimensional drawing



AB-SK 65-D INSULATED - Support bracket



3040889

<https://www.phoenixcontact.com/us/products/3040889>

Classifications

ECLASS

ECLASS-11.0	27400607
ECLASS-12.0	27400607
ECLASS-13.0	27400607

ETIM

ETIM 9.0	EC001166
----------	----------

UNSPSC

UNSPSC 21.0	39121700
-------------	----------

AB-SK 65-D INSULATED - Support bracket



3040889

<https://www.phoenixcontact.com/us/products/3040889>

Environmental product compliance

EU RoHS

Fulfills EU RoHS substance requirements	Yes, No exemptions
---	--------------------

China RoHS

Environment friendly use period (EFUP)	EFUP-E
	No hazardous substances above the limits

EU REACH SVHC

REACH candidate substance (CAS No.)	No substance above 0.1 wt%
-------------------------------------	----------------------------

AB-SK 65-D INSULATED - Support bracket



3040889

<https://www.phoenixcontact.com/us/products/3040889>

Accessories

NLS-CU 3/10 1600MM - Neutral conductor rail

5406430

<https://www.phoenixcontact.com/us/products/5406430>



NLS-CU 3/10 1160MM - Neutral conductor rail

5406429

<https://www.phoenixcontact.com/us/products/5406429>



AB-SK 65-D INSULATED - Support bracket

3040889

<https://www.phoenixcontact.com/us/products/3040889>



NLS-CU 3/10 148MM 2X5,5 - Neutral conductor rail

5406390

<https://www.phoenixcontact.com/us/products/5406390>



NLS-CU 3/10 SN 55MM 2X5,5 - Neutral busbar

5406304

<https://www.phoenixcontact.com/us/products/5406304>



Neutral busbar, material: Copper, tin-plated

AB-SK 65-D INSULATED - Support bracket

3040889

<https://www.phoenixcontact.com/us/products/3040889>



NLS-CU 3/10 SN 300MM 2X5,2 - Neutral busbar

5406221

<https://www.phoenixcontact.com/us/products/5406221>



Neutral busbar

NLS-CU 3/10 SN 175MM - Neutral busbar

5406194

<https://www.phoenixcontact.com/us/products/5406194>



Neutral busbar

AB-SK 65-D INSULATED - Support bracket

3040889

<https://www.phoenixcontact.com/us/products/3040889>



NLS-CU 3/10 SN 630MM - Neutral busbar

5406185

<https://www.phoenixcontact.com/us/products/5406185>



Neutral busbar, material: Copper, tin-plated

NLS-CU 3/10 SN 550MM - Neutral busbar

5406184

<https://www.phoenixcontact.com/us/products/5406184>



Neutral busbar, material: Copper, tin-plated

AB-SK 65-D INSULATED - Support bracket

3040889

<https://www.phoenixcontact.com/us/products/3040889>



NLS-CU 3/10 SN 1550MM - Neutral busbar

5406170

<https://www.phoenixcontact.com/us/products/5406170>



Neutral busbar, material: Copper, tin-plated

NLS-CU 3/10 SN 93MM - Neutral busbar

5406159

<https://www.phoenixcontact.com/us/products/5406159>



Neutral busbar, material: Copper, tin-plated

AB-SK 65-D INSULATED - Support bracket

3040889

<https://www.phoenixcontact.com/us/products/3040889>



NLS-CU 3/10 16.31.19.040-AA - Neutral busbar

5405865

<https://www.phoenixcontact.com/us/products/5405865>



Neutral busbar, material: Copper, tin-plated

NLS-CU 3/10 95MM ZG.160452 - Neutral busbar

5405857

<https://www.phoenixcontact.com/us/products/5405857>



Neutral busbar, material: Copper, tin-plated

AB-SK 65-D INSULATED - Support bracket

3040889

<https://www.phoenixcontact.com/us/products/3040889>



NLS-CU 3/10 58MM ZG.155646 - Neutral busbar

5405855

<https://www.phoenixcontact.com/us/products/5405855>



Neutral busbar, material: Copper, tin-plated

NLS-CU 3/10 SN 90MM LANG - Neutral busbar

5405836

<https://www.phoenixcontact.com/us/products/5405836>



Neutral busbar, material: Copper, tin-plated

AB-SK 65-D INSULATED - Support bracket

3040889

<https://www.phoenixcontact.com/us/products/3040889>



NLS-CU 3/10 245MM LG - Neutral busbar

5405831

<https://www.phoenixcontact.com/us/products/5405831>



Neutral busbar, material: Copper, tin-plated

NLS 3/10 AV 134/134 - Neutral busbar

3062870

<https://www.phoenixcontact.com/us/products/3062870>



Angled rail for holding the C-NBB busbar connector

AB-SK 65-D INSULATED - Support bracket

3040889

<https://www.phoenixcontact.com/us/products/3040889>



NLS-CU 3/10 SN 150MM 2X3,5 - Neutral busbar

1044718

<https://www.phoenixcontact.com/us/products/1044718>



PEN conductor busbar, 3 mm x 10 mm

NLS-CU 3/10 220MM 4X4,5 1XM4 - Neutral busbar

1013677

<https://www.phoenixcontact.com/us/products/1013677>



PEN conductor busbar, 3 mm x 10 mm

AB-SK 65-D INSULATED - Support bracket

3040889

<https://www.phoenixcontact.com/us/products/3040889>



NLS-CU 3/10 SN 1000MM - Neutral busbar

0402174

<https://www.phoenixcontact.com/us/products/0402174>



Neutral busbar, DIN VDE 0611-4: 1991-02, color: silver

NLS-CU 3/10 SN 2000MM - Neutral busbar

0402006

<https://www.phoenixcontact.com/us/products/0402006>



Neutral busbar, DIN VDE 0611-4: 1991-02, material: Copper, tin-plated, color: silver

Phoenix Contact 2024 © - all rights reserved

<https://www.phoenixcontact.com>

Phoenix Contact USA
586 Fulling Mill Road
Middletown, PA 17057, United States
(+717) 944-1300
info@phoenixcon.com