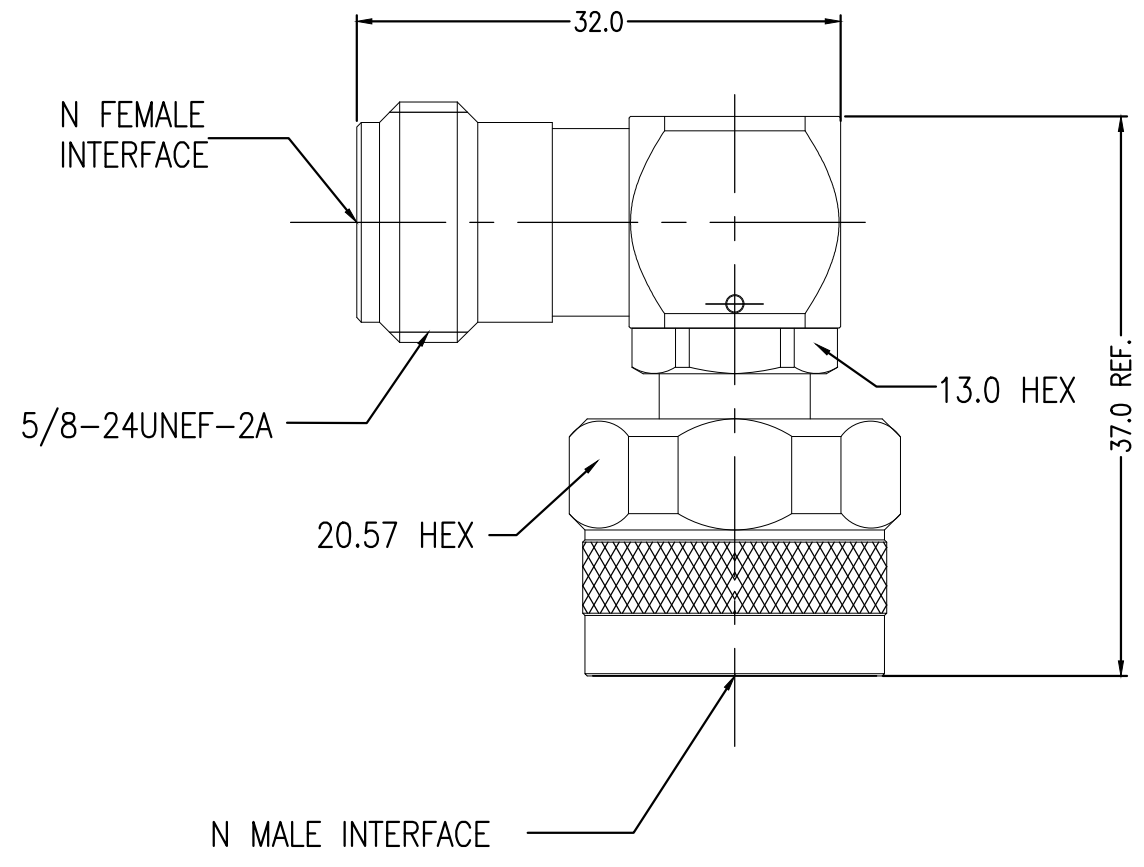


THIS DRAWING IS UNPUBLISHED. RELEASED FOR PUBLICATION AUGUST ,2006.
 © COPYRIGHT 2006 By - ALL RIGHTS RESERVED.

REVISIONS					
P	LTR	DESCRIPTION	DATE	DWN	APVD
	A	RELEASE	13JUN2018	ED	RS

- NOTES:
- 1 PACK IN ACCORDANCE WITH TE SPEC 107-3275
 - 2 Au PLATING: 10u"
 - 3 NI PLATING: 200u"
 - 4 ALL DIMENSIONS ARE NOMINAL FOR REFERENCE ONLY UNLESS OTHERWISE STATED



ELECTRICAL	MECHANICAL	ENVIRONMENTAL
Frequency Range (GHz) DC to 15GHz	Recommended Coupling Torque 9-14 in-lbs	Temperature Rating -55°C TO +125°C
Voltage Rating (Peak) @ Sea Level 500 V RMS	Mating cycles 500 cycles	
Insulation Resistance (MIN.) 5000 M ohms	Center contact retention force 6 lbs MIN	
Contact Resistance (Milliohms MAX) Center Contact 1.0 Outer Contact 0.4	VSWR: 1.25 Max @ DC-- 15 GHz	
Dielectric Withstand Voltage: 1500 V RMS Max	RF leakage: N/A	
Insertion Loss : 0.1*√F(GHz) dB	3rd Intermodulation: N/A	

THIS DRAWING IS A CONTROLLED DOCUMENT.

DIMENSIONS:	TOLERANCES UNLESS OTHERWISE SPECIFIED:
mm	
0 PLC	± -
1 PLC	± 0.2
2 PLC	± 0.1
3 PLC	± -
4 PLC	± -
ANGLES	± -
MATERIAL	FINISH
SEE TABLE	-

DWN	ED	13JUN 2018
CHK	BW	13JUN 2018
APVD	RS	13JUN 2018
PRODUCT SPEC	-	
APPLICATION SPEC	-	
WEIGHT	0.000000	
CUSTOMER DRAWING		

QUANTITY PER ASSY	PARTS LIST
1	PTFE INSULATION 3
1	BRASS&BECU CENTER CONTACT 2
1	BRASS BODY/SHELL 1
-1	MATERIAL DESCRIPTION ITEM

STE TE Connectivity

NAME: ADAPTER
N Male to N Female Right Angle

SIZE	CAGE CODE	DRAWING NO	RESTRICTED TO
A3	00779	C-2081561	-

SCALE: 2:1 SHEET: 1 OF 1 REV: A

Mouser Electronics

Authorized Distributor

Click to View Pricing, Inventory, Delivery & Lifecycle Information:

[TE Connectivity:](#)

[2081561-1](#)