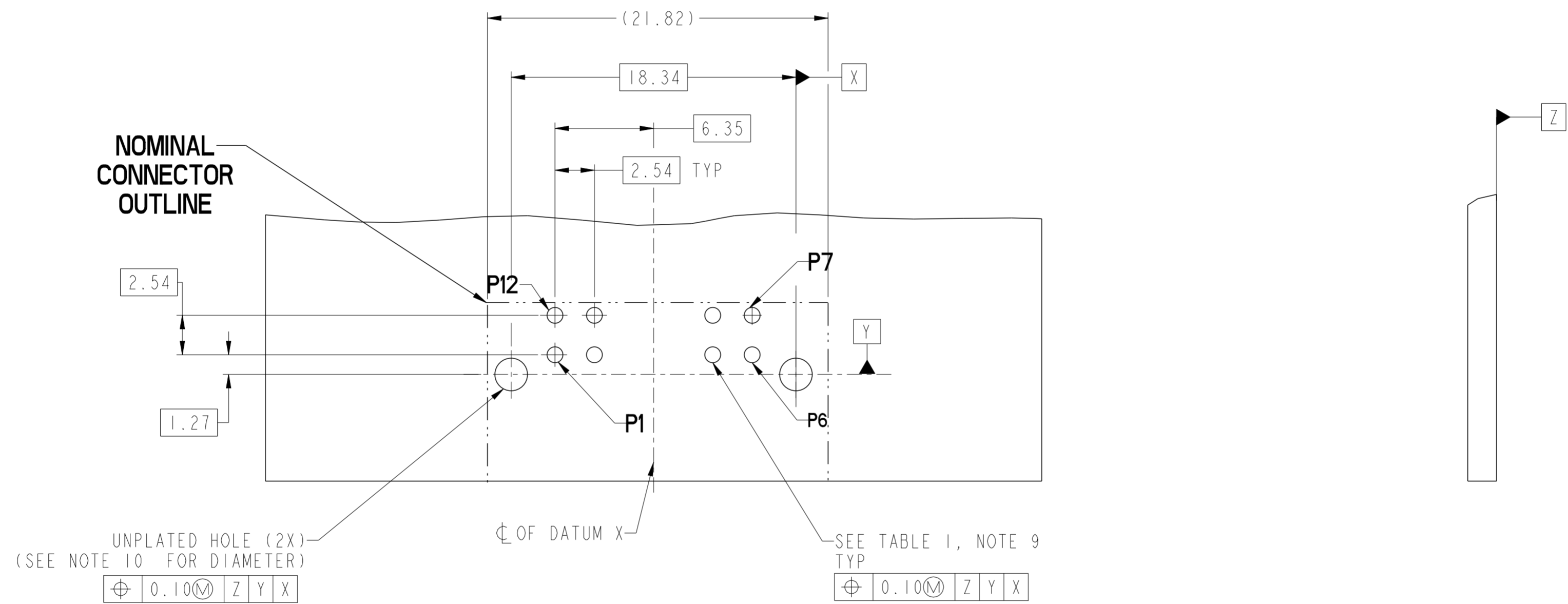


spec ref	-	dr	Hai-Ling Liu	2015/04/20	projection	MM	size	A2	scale	4:1
tolerance std	ISO 406 ISO 1101	eng	Sunny2 Liu	2016/05/05			ecn no	ELX-DG-24036-1	rel level	Released
TOLERANCES UNLESS OTHERWISE SPECIFIED		chr	Terris Liu	2016/05/20						
surface	ISO 1302	appr	Pai-Ming Zheng	2016/05/24						
linear	0.X ±0.50 0.XX ±0.25 0.XXX ±0.10			title HPCE R/A REC 6LP OMITTED 2LP		product family	cat. no.	Product - Customer Draw	sheet 1 of 4	
angular	0° ±2°	PDS: Rev :B		STATUS:Released		Printed: May 24, 2016		rev B	10134812	

Amphenol
FCI

© 2016 AFCI

CONTACT TYPE	TOP LAYER DESCRIPTION	TABLE 1 (HPCE / SOLDER TAILS) PLATED THROUGH-HOLE REQUIREMENTS				
		DRILLED HOLE DIAMETER	COPPER THICKNESS	TIN-LEAD THICKNESS	TIN THICKNESS	FINISHED HOLE DIAMETER
POWER & SIGNAL	TIN-LEAD	1.10-1.16 (1.15 DRILL)	0.025 - 0.050	0.005 - 0.015	--	0.94 - 1.10
	IMMERSION TIN	1.10-1.16 (1.15 DRILL)	0.025 - 0.050	--	0.9 - 1.5um	0.94 - 1.10
	COPPER (SEE NOTE 8)	1.10-1.16 (1.15 DRILL)	0.025 - 0.050	--	--	0.94 - 1.10



RECOMMENDED PCB LAYOUT

Amphenol FCI

© 2016 AFCI

spec ref	-	dr	Hai-Ling Liu	2015/04/20	projection	MM	size	A2	scale	4:1
tolerance std	ISO 406 ISO 1101	eng	Sunny2 Liu	2016/05/05			ecn no	ELX-DG-24036-1		
TOLERANCES UNLESS OTHERWISE SPECIFIED		chr	Terris Liu	2016/05/20				rel level	Released	
surface	ISO 1302	appr	Pei-Ming Zheng	2016/05/24	product family	-	rel level	Released		
linear	0.X ±0.50 0.XX ±0.25 0.XXX ±0.10	Amphenol FCI		title	HPCE R/A REC 6LP OMITTED 2LP		dwg no	10134812		
angular	0° ±2°	cat. no.		Product - Customer Drw		sheet 2 of 4	rev	B		

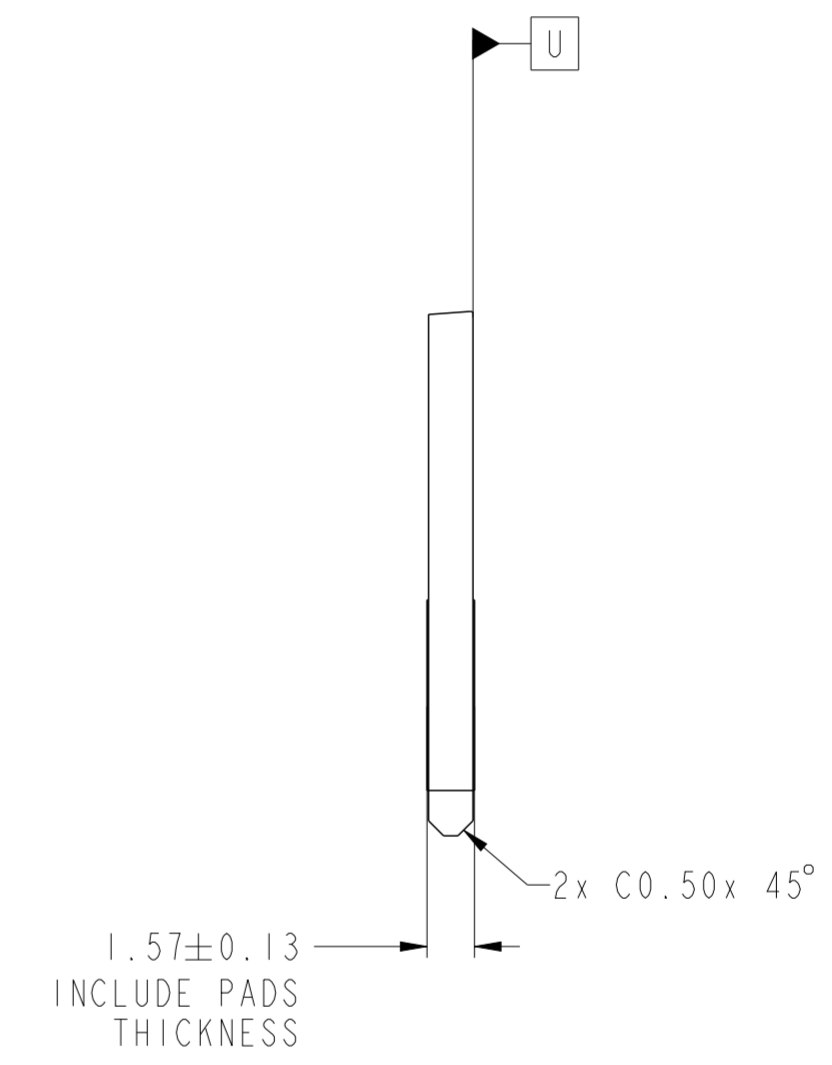
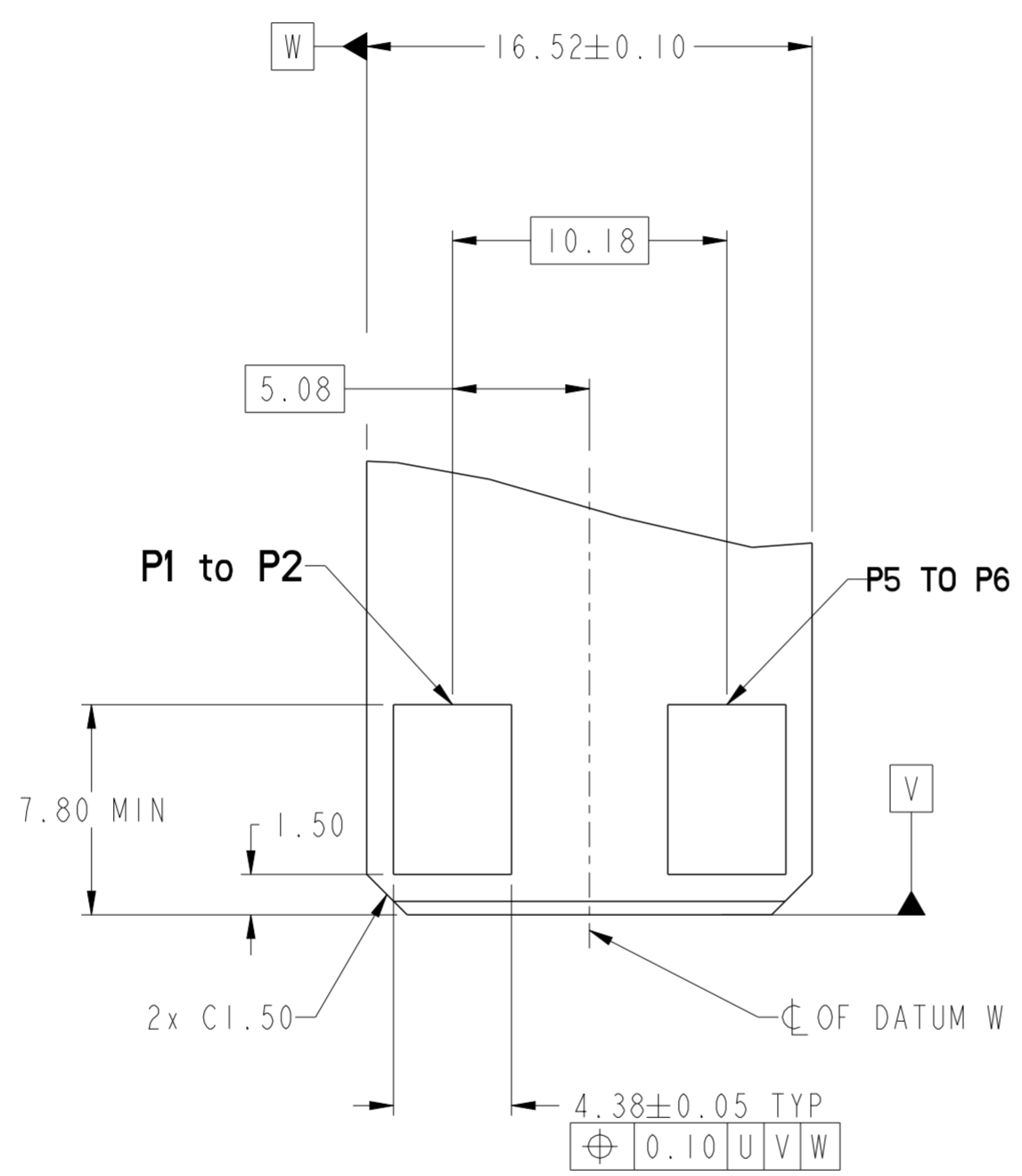
PDS: Rev :B

STATUS:Released

Printed: May 24, 2016

1 2 3 4 5 6 7 8

A
B
C
D
E
F



RECOMMENDED MATING BOARD FOOTPRINT

Amphenol
FCi

© 2016 AFci

spec ref	-	dr	Hai-Ling Liu	2015/04/20	projection	MM	size	A2	scale	4:1
tolerance std	ISO 406 ISO 1101	eng	Sunny2 Liu	2016/05/05			ecn no	ELX-DG-24036-1	rel level	Released
TOLERANCES UNLESS OTHERWISE SPECIFIED		chr	Terris Liu	2016/05/20						
surface	ISO 1302	appr	Pai-Ming Zheng	2016/05/24			title	HPCE R/A REC 6LP OMITTED 2LP		cat. no. - Product - Customer Drw
	linear	0.X	± 0.50		dlg no	10134812	rev	B		
		0.XX	± 0.25		sheet 3 of 4					
	angular	0°	$\pm 2^\circ$							

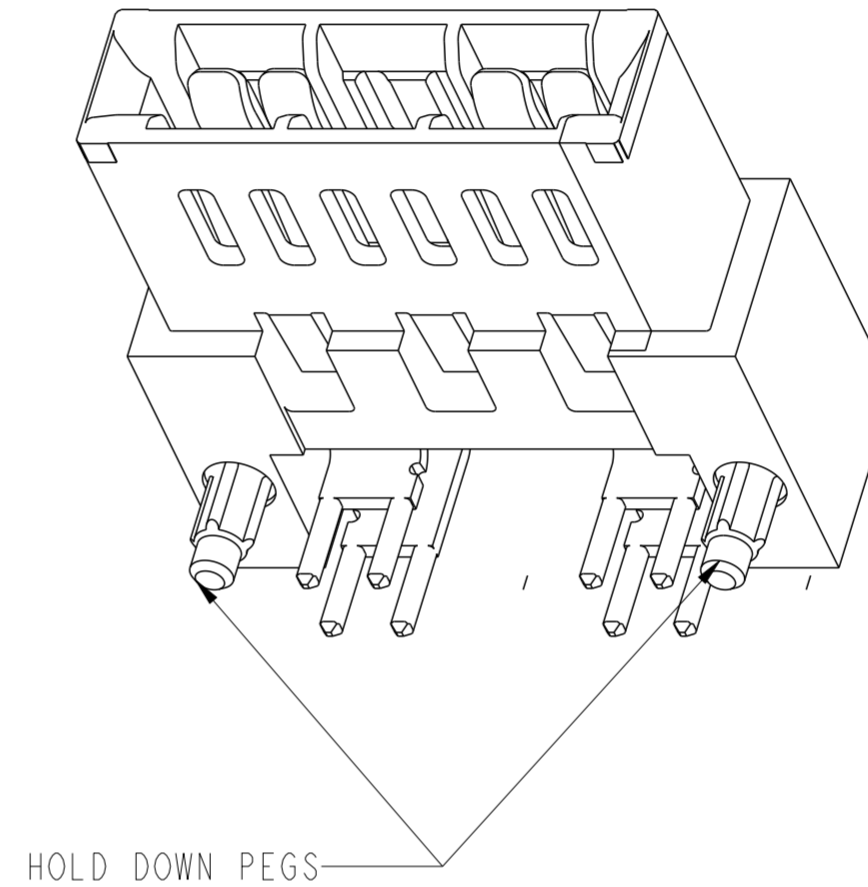
PDS: Rev :B

STATUS:Released

Printed: May 24, 2016

1 2 3 4 5 6 7 8

HPCE PART NUMBER (TABLE 2)			
PART NUMBER	TAIL TYPE	HOLD-DOWN OPTION	DIM "T" TYPICAL TAIL LENGTH
10134812-001LF	SOLDER TAIL	YES	2.60±0.50
10134812-002LF		NO	



NOTES:

1. CONNECTOR MATERIALS:
 - HOUSING: HIGH TEMPERATURE THERMAL PLASTIC, BLACK
UL 94V-0 COMPLIANT
 - CONTACTS: HIGH PERFORMANCE COPPER ALLOY.
2. CONTACT FINISH REF. GS-12-604 SECTION 5.2.
3. PRODUCT SPECIFICATION: GS-12-604.
4. APPLICATION SPECIFICATION: GS-20-128).
5. PRODUCT MARKING ON HOUSING IN AREA SHOWN MEETS AFCI SPECIFICATION: GS-24-007.
6. PACKAGING MEETS FCI SPECIFICATION GS-14-937.
7. HOUSING COMPONENT WILL WITHSTAND EXPOSURE TO 260°C PEAK TEMPERATURE FOR 60 SECONDS IN A CONVECTION, INFRA-RED, OR VAPOR PHASE REFLOW OVEN.
8. COPPER PLATING THICKNESS IN CENTER OF VIA-HOLE CAN BE NO MORE THAN 0.003 LESS THAN OTHER AREAS.
9. ALL HOLE SIZES ARE FINISHED HOLE SIZES.
10. MOUNTING HOLES ARE UNPLATED
Ø 2.18 +/- 0.03 FOR SOLDER TAILS
11. A SYMBOL $\triangle B$ WILL BE NEXT TO ANY DIMENSION, VIEW, OR NOTE WHICH HAS BEEN MODIFIED WITH THE CURRENT DRAWING REVISION.

spec ref	-	dr	Hai-Ling Liu	2015/04/20	projection	MM	size	A2	scale	4:1	
tolerance std	ISO 406 ISO 1101	eng	Sunny2 Liu	2016/05/05			ecn no	ELX-DG-24036-1			
TOLERANCES UNLESS OTHERWISE SPECIFIED		chr	Terris Liu	2016/05/20			rel level	Released			
surface	ISO 1302	appr	Pei-Ming Zheng	2016/05/24			product family				
		linear	0.X	±0.50		HPCE R/A REC 6LP OMITTED 2LP	cat. no.	10134812			
			0.XX	±0.25			Product - Customer Drw	sheet 4 of 4			
		angular	0°	±2°			rev	B			

PDS: Rev :B

STATUS:Released

Printed: May 24, 2016

Amphenol FCI

© 2016 AFCI

Mouser Electronics

Authorized Distributor

Click to View Pricing, Inventory, Delivery & Lifecycle Information:

[FCI / Amphenol:](#)

[10134812-001LF](#)