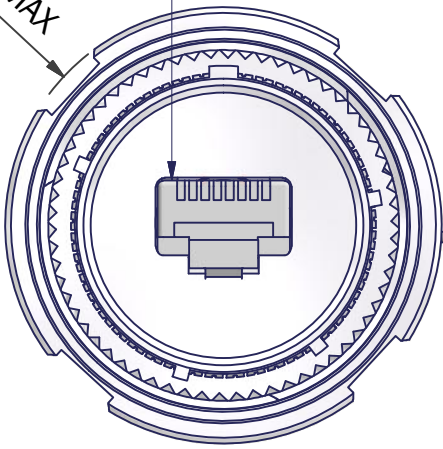
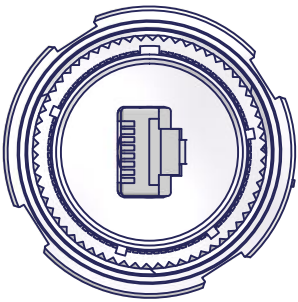
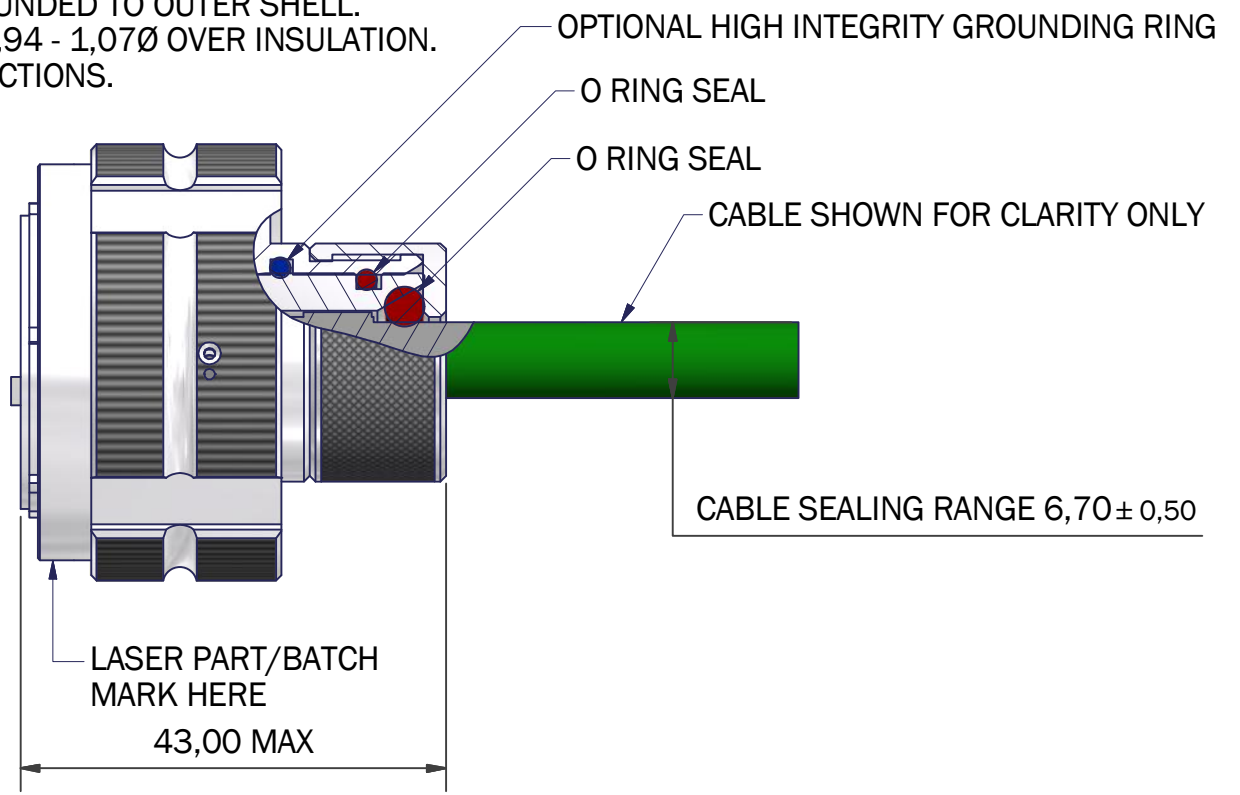


RJ45 CAT6a (10Gb) PLUG WITH INTEGRATED CABLE GUIDE, SHIELDING AND CABLE CRIMP GROUNDED TO OUTER SHELL. FOR USE WITH AWG24/26 CABLE 0,94 - 1,07Ø OVER INSULATION. SEE C3555 FOR ASSEMBLY INSTRUCTIONS.

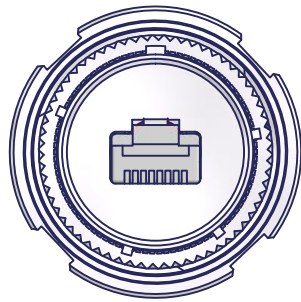
Ø38,50 MAX



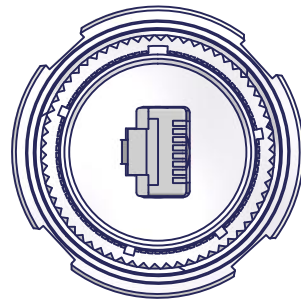
OPTION X (STANDARD)



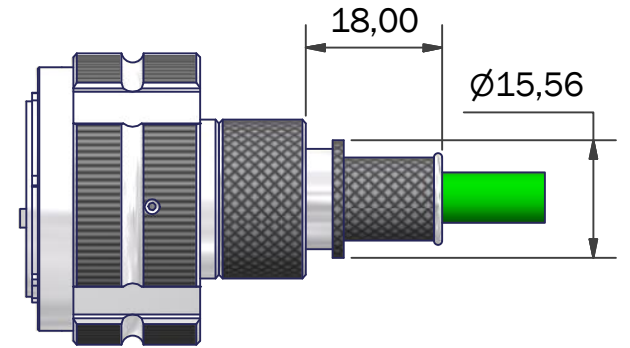
OPTION W



OPTION Y



OPTION Z



BRAID TERMINATION OPTIONS:
BT - ORDER BAND SEPARATELY
91 - SUPPLIED WITH HE100 SPRING

NOTES
MIL-DTL-38999 STYLE
MATES WITH AMPHENOL RJFTV
FINISH
SEE TABLE
MATERIALS
RJ45
CONTACTS SELECTIVE GOLD PLATING
SHIELDING - NICKEL PLATED BRASS
BODY - PBT, UL94V-0

SEAL - SILICONE ELASTOMER

PERFORMANCE
VOLTAGE RATING 50V DC / 35V AC
TEMPERATURE -40°C TO +120°C

PC4D0024(BT)-19NX-1-C(-H)

SERIES
BRAID TERMINATION OPTION
(OMIT FOR STANDARD)
SHELL SIZE
KEY ARRANGEMENT (N, A, B, C, D, E)
INSERT ROTATION (W, X, Y, Z)
MATERIAL (SEE TABLE)
PLATING (SEE TABLE)
HIGH INTEGRITY GROUNDING OPTION
(OMIT FOR STANDARD)

PART NUMBER FOR UNGROUNDED VERSION: PC4D0024-19NX-1-C-U

CODE	MATERIAL / FINISH
1-C	ALUMINIUM / ELECTROLESS NICKEL
1-B	ALUMINIUM / CADMIUM OLIVE DRAB OVER ELECTROLESS NICKEL
1-ZB	ALUMINIUM / ZINC COBALT OLIVE DRAB OVER ELECTROLESS NICKEL
1-ZK	ALUMINIUM / ZINC COBALT BLACK OVER ELECTROLESS NICKEL
1-ZN	ALUMINIUM / ZINC NICKEL BLACK PASSIVATE OVER ELECTROLESS NICKEL
4-J	STAINLESS STEEL / PASSIVATE
2-Z	NICKEL ALUMINIUM BRONZE / SHOT BLAST

LIST NOT EXHAUSTIVE, FOR COMPREHENSIVE LIST AND SPECS, SEE WEBSITE

DRAWN	M.PAUL	DATE	24/01/2017	3RD ANGLE PROJECTION NOT TO SCALE
SALES APPR	M.F.	DATE	24/01/2017	
DESIGN APPR				UNLESS OTHERWISE SPECIFIED ALL DIMENSIONS IN MILLIMETRES GENERAL TOL LINEAR +/-0,25MM ANGULAR +/- 1°
PROD APPR				
QUAL APPR				
ISSUE	REV.	DCR	6453	MATERIAL SEE PART NUMBER BREAKDOWN FINISH SEE PART NUMBER BREAKDOWN
7				
NCAGE CODE U5792		WEIGHT		

PART NUMBER:	PC4D0024-19xx-x-x		
TITLE:	CAT6A RJ45 PLUG CONNECTOR		
ASSY USED ON:	CAT6A RJ45 MIL-DTL-38999/26		
THIS DRAWING IS COPYRIGHT AND THE PROPERTY OF POLAMCO LTD IT MUST NOT BE COPIED, USED FOR MANUFACTURE OR OTHERWISE DISCLOSED WITHOUT PRIOR WRITTEN CONSENT OF THE COMPANY.		POLAMCO LTD, WESTON LOCK, LOWER BRISTOL ROAD BATH BA2 1EP	SHT 1

Polamco
TE connectivity

DRAWING NO: **C3054**

Mouser Electronics

Authorized Distributor

Click to View Pricing, Inventory, Delivery & Lifecycle Information:

[TE Connectivity:](#)

[PC4D0024-19NX-1-C](#) [PC4D0024-19NX-1-B](#) [PC4D0024BT-19NX-1-C](#) [PC4D0024BT-19NX-4-J](#) [PC4D0024-19NX-4-J](#)