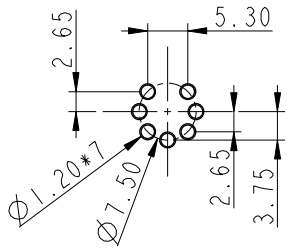
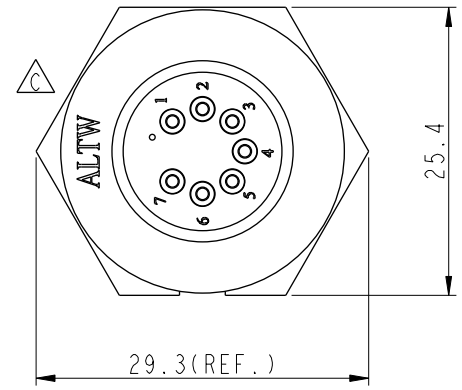
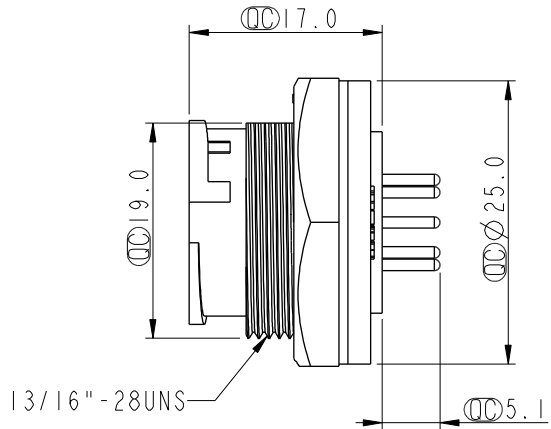
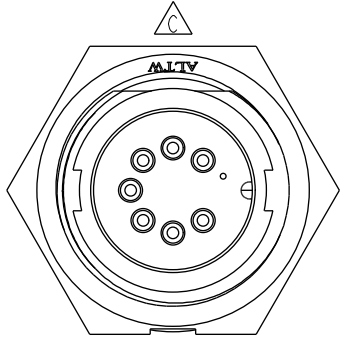


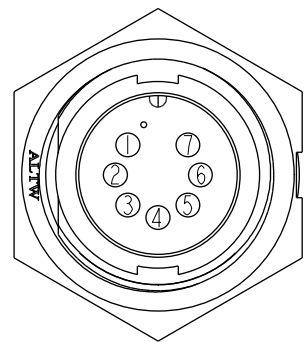
REV.	ECN NO.	DATE	SIGN	DESCRIPTION
B	LEN-8B0059	2008/09/25	Shin	Add Note
C	LEN1630600	2016/03/18	Ruru	Change Logo
D	CI90271	2019/02/27	Ruru	Modify Note



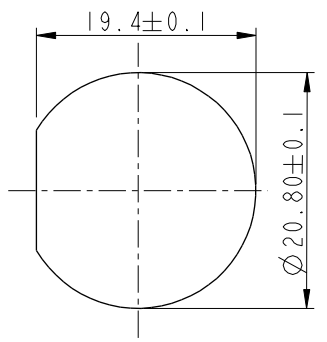
7Pin Male Connector  
Male Pin PCB Layout



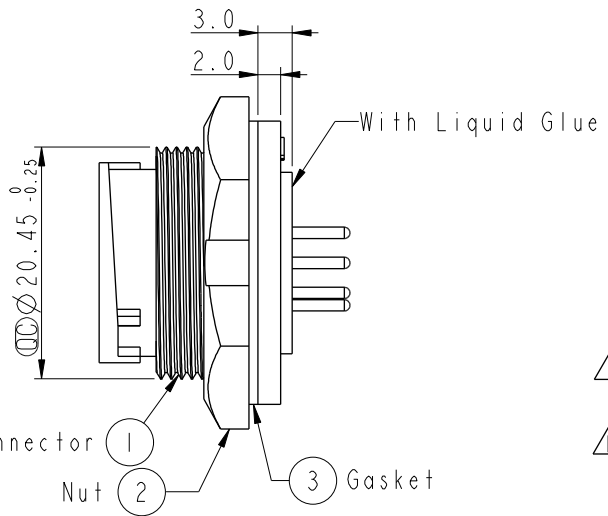
ALTW  
CONFIDENTIAL  
2019-02-27  
R&D DEPT.



Pin Assignments  
Front View



Recommended Panel Cut-Out



- Note:  $\triangle D$
- \*  $\text{⌀}$  Important Dimension To Check.
  - \* Waterproof Rate: IP67, Unmated
  - \* Housing: Thermoplastic, Black
  - \* Pin: Copper Alloy, Gold Plated
  - \* Nut: Thermoplastic, Black
  - \* Gasket: Rubber, Black
  - $\triangle B$  \* Use with waterproof cap or dust cap  
Panel Thickness Max: 3.0mm
  - $\triangle B$  \* Use without waterproof cap or dust cap  
Panel Thickness Max: 4.0mm
  - \* Gasket and Nut are packed separately in PE bags.

UNIT:mm

TOLERANCE	
.X	±0.25
.XX	±0.1
.XXX	±0.05
ANGLES	±1°

TITLE Middle Panel Lock 7Pin M Conn M Pin			
SCALE 1:1	SIZE A4	SHEET 1 OF 1	
REV. D	WC-REV. A.3	$\text{⌀}$ : Inspection item	

**Amphenol LTW**  
安費諾亮泰企業股份有限公司

ITEM NO. CD-07PMMP-LC7001	DRAWN BY Ruru	DATE 2019-02-27
DWG NO. CD-07PMMP-LC7001	CHECKED BY Rita	DATE 2019-02-27
CUSTOMER ALTW	APPROVED BY Max	DATE 2019-02-27

THIS DOCUMENT IS SUBJECT TO CHANGE WITHOUT NOTICE. IT IS CONFIDENTIAL AND A PROPERTY OF Amphenol LTW. DISCLOSURE TO THIRD PARTY HAS TO BE AUTHORIZED BY Amphenol LTW.

# Mouser Electronics

Authorized Distributor

Click to View Pricing, Inventory, Delivery & Lifecycle Information:

[Amphenol:](#)

[CD-07PMMP-LC7001](#)