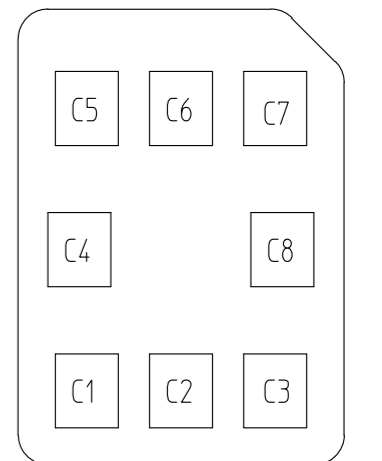
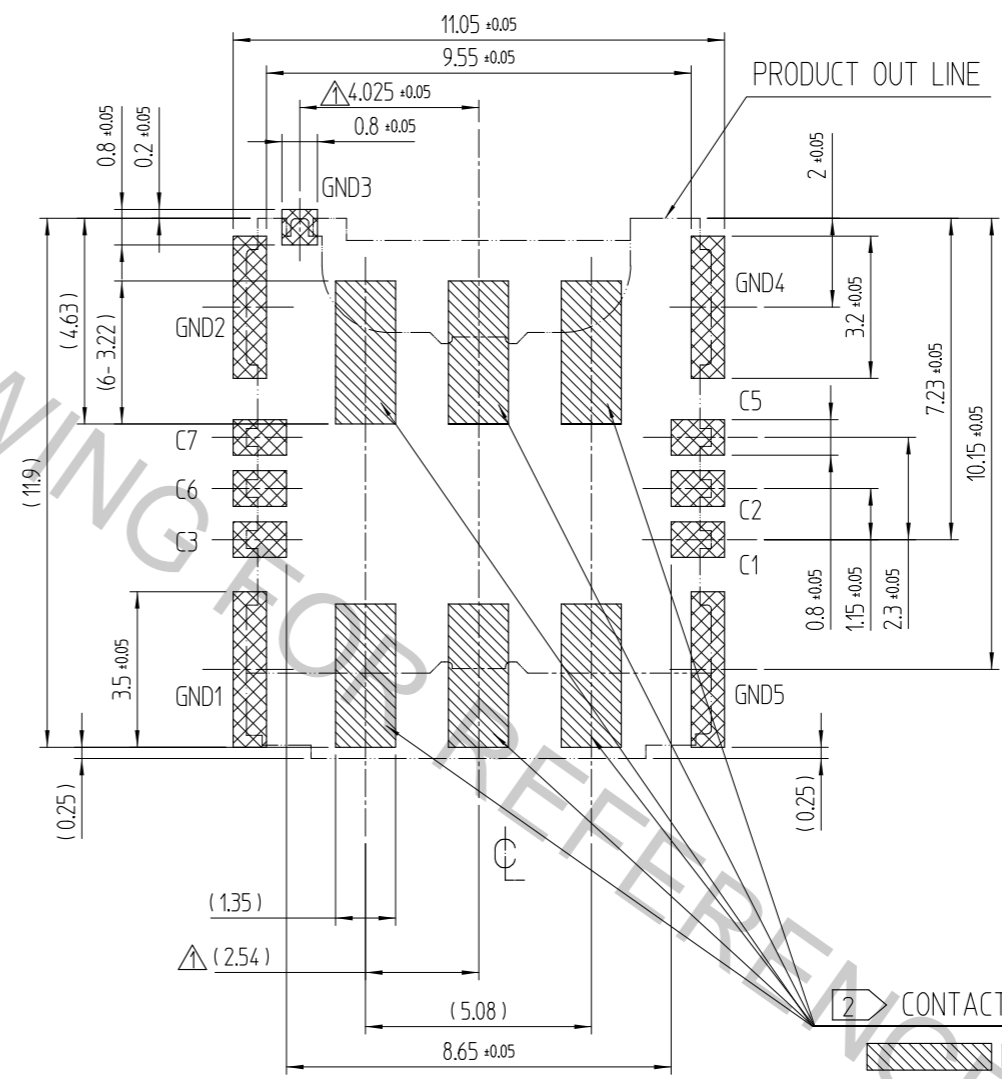
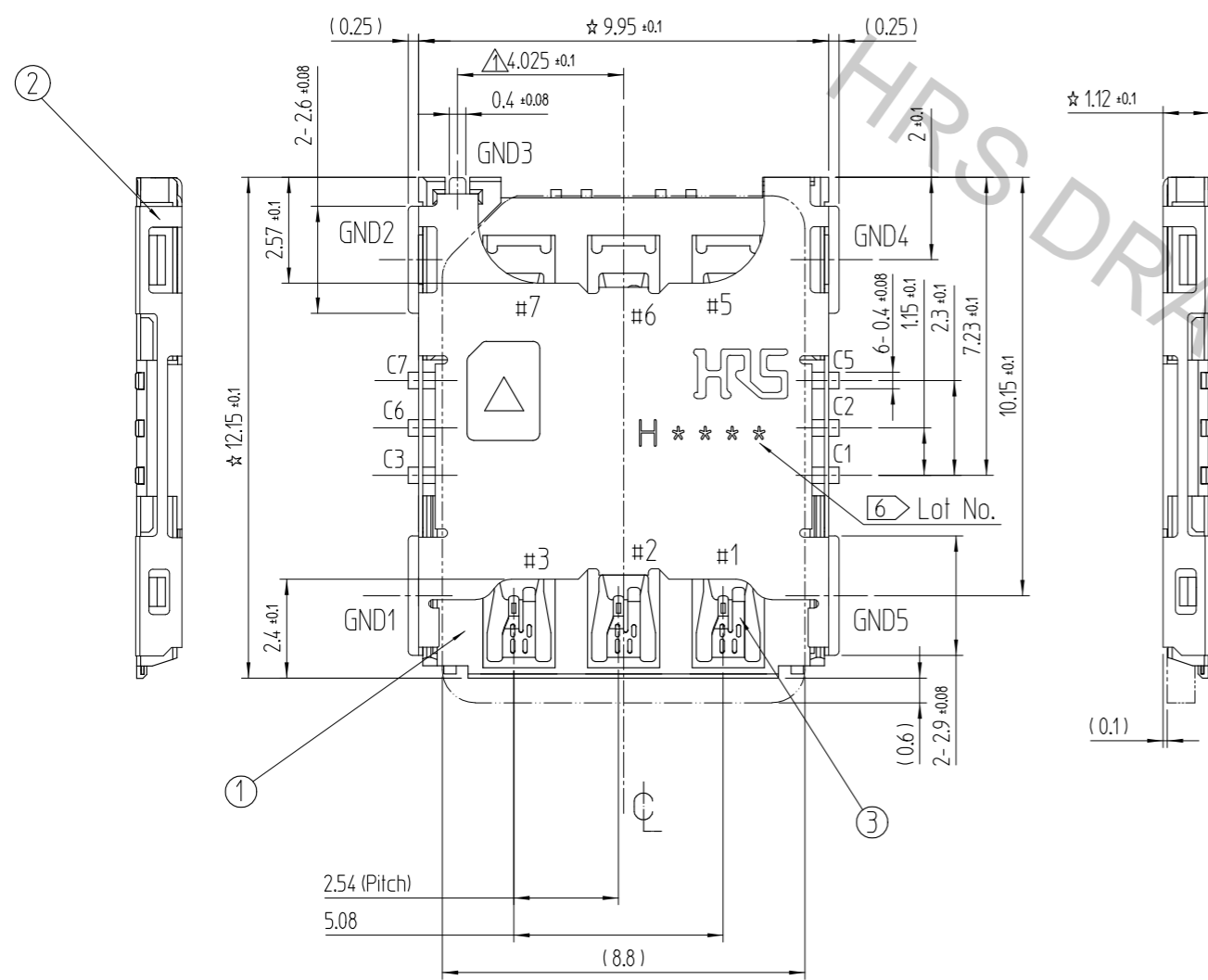


Dec.1.2018 Copyright 2018 HIROSE ELECTRIC CO., LTD. All Rights Reserved.
 In case that the application demands a high level of reliability, such as automotive, please contact a company representative for further information.

△數 COUNT	訂正事項 DISCRIPTION OF REVISIONS	擔當 B Y	檢圖 CHKD	年月日 DATE	△數 COUNT	訂正事項 DISCRIPTION OF REVISIONS	擔當 B Y	檢圖 CHKD	年月日 DATE
7	RE-5-1589	N.J.W	A.B.H	17. 02. 27					

- △ 1. CO-PLANRITY SHALL BE 0.1mm MAX (BEFORE & AFTER REFLOW)
- ② NO PATTERNS PERMITTED IN THIS OBLIQUE - HATCHED AREA
- ③ SOLDER AREA - CROSS HATCHED AREA
- 4 PRODUCT SHALL NOT EXPOSE FROM THE PCB



NANO SIM CARD PAD LAY OUT

PIN No.	Name
C1	Vcc
C2	RST
C3	CLK
C5	GND
C6	Vpp
C7	I/O

NANO SIM CARD ASSIGNMENT

② CONTACT TERMINAL AREA
 NO PATTERN AREA
 ③ SOLDER AREA
 RECOMMEND PCB PATTERN LAYOUT (TOLERANCE : ±0.05)
 RECOMMEND METAL MASK THICKNESS = 0.12mm

DRAWING FOR REFERENCE
 This is subject to change without notice

NO.	MATERIAL	FINISH,REMARKS	NO.	MATERIAL	FINISH,REMARKS
2	STAINLESS STEEL	MOUNTING AREA Au over Ni	3	COPPER ALLOY	CONTACT AREA Au over Pd-Ni over Ni
1	LCP	BLACK UL94-V0			MOUNTING AREA Au over Ni

CODE NO. (OLD)	DRAWN	DESIGNED	CHECKED	APPROVED	RELEASED
	M.J.CHEON 15.02.04	M.J.CHEON 15.02.04	J.H.CHOI 15.02.04	H.C.SONG 15.02.04	ENG 17.02.28 DEPT

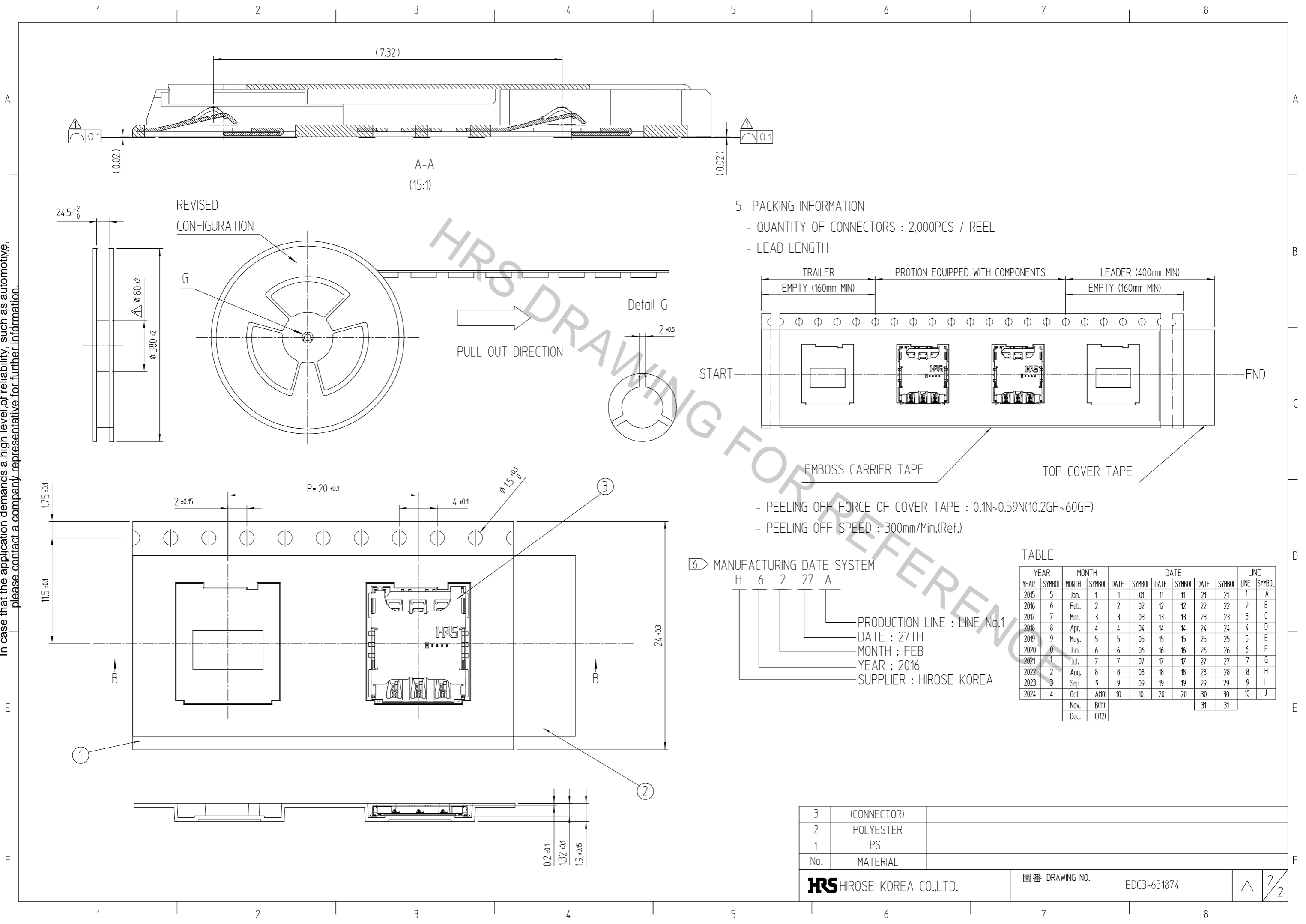
DRAWING NO.	PART NO.
EDC3-631874	KP13C-6S-SF(800)

SCALE	UNITS	CODE NO
5:1	mm	6530-0007-2-800

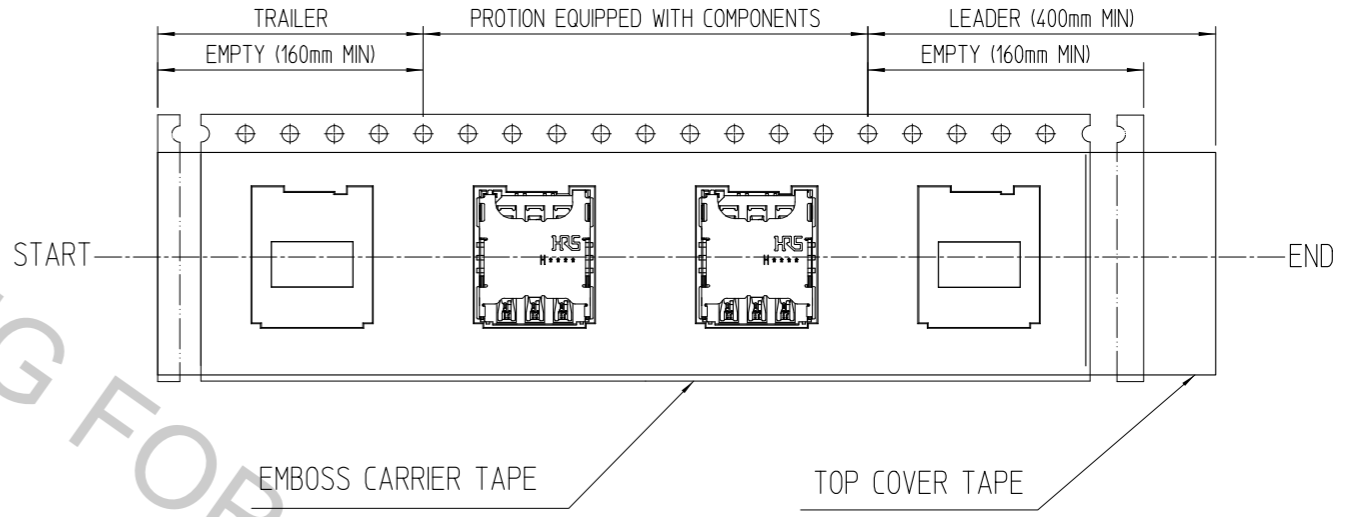
F

F

Dec.1.2018 Copyright 2018 HIROSE ELECTRIC CO., LTD. All Rights Reserved.
 In case that the application demands a high level of reliability, such as automotive, please contact a company representative for further information.



5 PACKING INFORMATION
 - QUANTITY OF CONNECTORS : 2,000PCS / REEL
 - LEAD LENGTH



- PEELING OFF FORCE OF COVER TAPE : 0.1N~0.59N(10.2GF~60GF)
 - PEELING OFF SPEED : 300mm/Min.(Ref.)

6 MANUFACTURING DATE SYSTEM
 H 6 2 27 A
 PRODUCTION LINE : LINE No.1
 DATE : 27TH
 MONTH : FEB
 YEAR : 2016
 SUPPLIER : HIROSE KOREA

TABLE

YEAR	MONTH	DATE				LINE					
YEAR	SYMBOL	MONTH	SYMBOL	DATE	SYMBOL	DATE	SYMBOL	DATE	SYMBOL	LINE	SYMBOL
2015	5	Jan.	1	1	01	11	11	21	21	1	A
2016	6	Feb.	2	2	02	12	12	22	22	2	B
2017	7	Mar.	3	3	03	13	13	23	23	3	C
2018	8	Apr.	4	4	04	14	14	24	24	4	D
2019	9	May.	5	5	05	15	15	25	25	5	E
2020	0	Jun.	6	6	06	16	16	26	26	6	F
2021	1	Jul.	7	7	07	17	17	27	27	7	G
2022	2	Aug.	8	8	08	18	18	28	28	8	H
2023	3	Sep.	9	9	09	19	19	29	29	9	I
2024	4	Oct.	A(10)	10	10	20	20	30	30	10	J
		Nov.	B(11)					31	31		
		Dec.	C(12)								

3	(CONNECTOR)
2	POLYESTER
1	PS
No.	MATERIAL

Mouser Electronics

Authorized Distributor

Click to View Pricing, Inventory, Delivery & Lifecycle Information:

[Hirose Electric:](#)

[KP13C-6S-SF\(800\)](#)