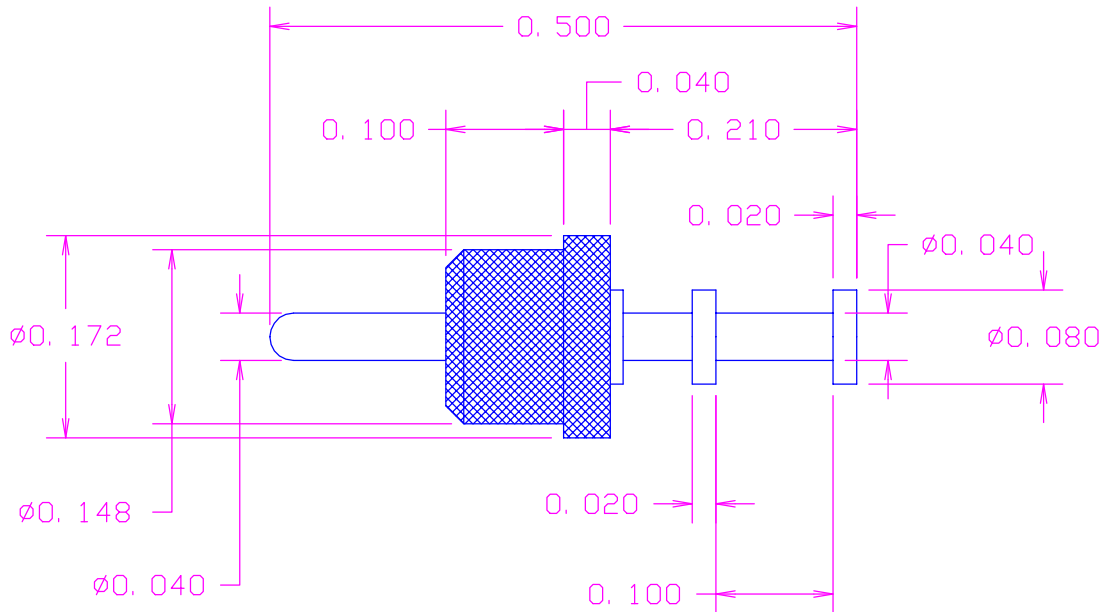
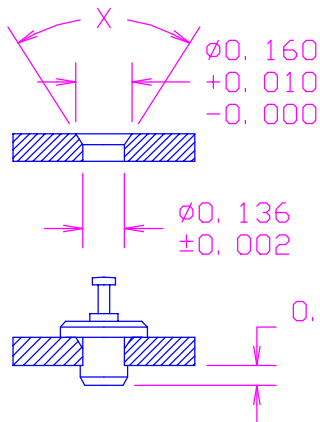


DATE	SYM	REVISION RECORD	AUTH.	DR.	CK.
7/1/98	-	ISSUED		NT	MM



RECOMMENDED HOLE SIZE
FOR PRESS FIT INSERTION



FOR BOARD THICKNESS GREATER THAN .040, X=60°

FOR BOARD THICKNESS LESS THAN .040, X=80°

MATERIAL: PIN- BRASS PER ASTM B16,
ALLOY C 36000, 1/2 HARD
BUSHING- PTFE PER ASTM D1710
COLOR- SEE COLOR CODE
FINISH: PIN- .0003"MIN. ELECTRO-SOLDER PER
MIL-P-81728, OVER .0001"MIN. COPPER

- (XX)COLOR CODE:
- 10-BLACK
 - 11-BROWN
 - 12-RED
 - 13-ORANGE
 - 14-YELLOW
 - 15-GREEN
 - 16-BLUE
 - 17-VIOLET
 - 18-GRAY
 - 19-WHITE(NATURAL)

ACTUAL SIZE



TOLERANCES (EXCEPT AS NOTED)	CONCORD ELECTRONICS CORPORATION	
DECIMAL ± .005	P/N	SCALE 30 GREAT JONES ST. NEW YORK N. Y. 10012
FRACTIONAL ± 1/64	TITLE TERMINAL	
ANGULAR ± 5°	DATE 3-18-97	DRAWING NUMBER 1133-01-05XX