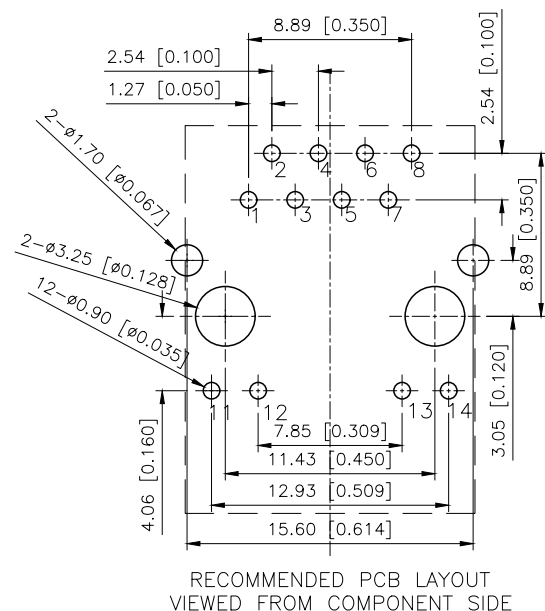
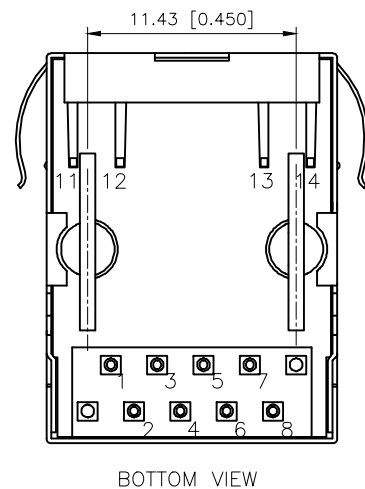
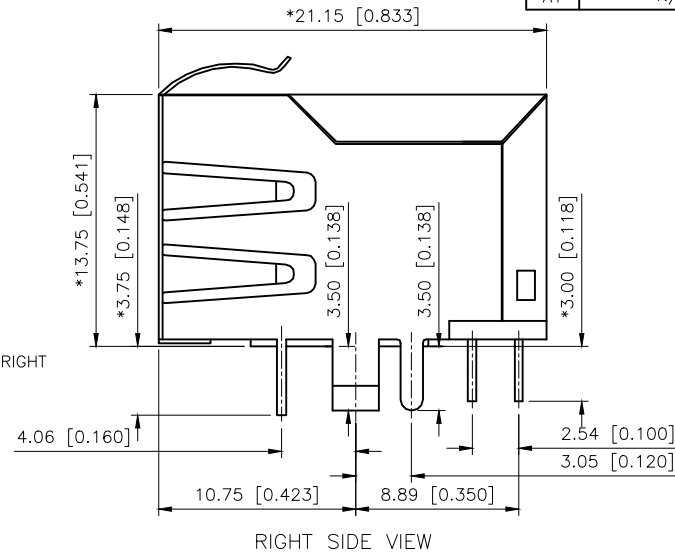
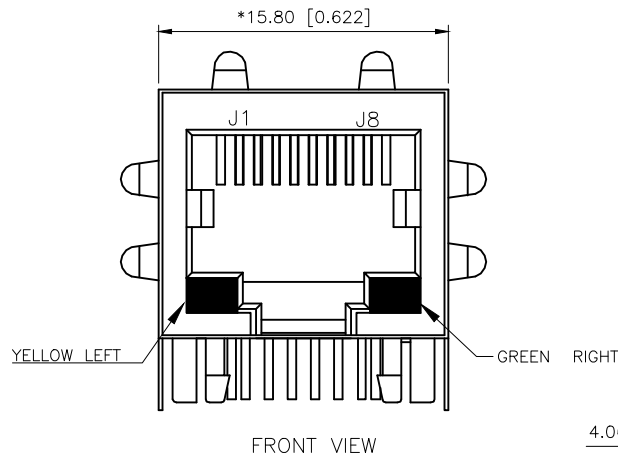
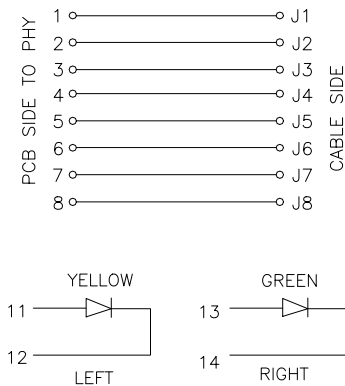


REVISIONS					
REV.	ECN NO.	LOCATION	DESCRIPTION	DATE	DESIGN
A0	N/A		INITIAL RELEASE	/	/
A1	N/A		图面升级整理图面	2025.04.25	阿树



MATERIAL 材料:
 HOUSING 外壳: PA46,UL94V-0,BLACK.
 TERMINAL 端子: PHOSPHOR BRONZE $\phi=0.46\text{MM}$
 GOLD PLATING
 SHIELD 保护物: C2680,T=0.20MM,20 MIN NICKEL PLATING ON ALL AREA.
 MECHANICAL 机械:
 DURABILITY 耐用性: 750 CYCLES MIN,12.5MM/MINUTE.
 INSERTION FORCE 插入力:2.2KG.F MAX
 RETENTION STRENGTH 保持力:7.7KG.F BETWEEN JACK AND PLUG.
 OPERATING TEMPERATURE 工作温度: $-40^{\circ}\text{C}\sim+85^{\circ}\text{C}$.
 STORAGE TEMPERATURE 储存温度: $-40^{\circ}\text{C}\sim+85^{\circ}\text{C}$.
 ALL CRITICAL DIMENSIONS WITH "*" *"
 ELECTRICAL 电气:
 VOLTAGE 电压: 125 VOLTS AC.
 CURRENT RATING 电流额定值: 1.5AMP.
 DIELECTRIC STRENGTH 介电强度: 1000 VAC RMS 50HZ OR 60HZ,1 MIN
 INSULATION RESISTANCE 绝缘电阻: 500 MEGA OHMS MIN.INITIAL
 AFTER 500V DC FOR 1 MINUTE.
 CONTACT RESISTANCE 接触电阻:SINGLE TERMINAL 30 MILLIOHMS MAX.
 INITIAL 50 MILLIOHMS MAX. AFTER
 DURABILITY TEST.



X18ABDB1A3DY1027

1:Au=1U"
 3:Au=3U"
 4:Au=6U"
 5:Au=15U"
 6:Au=30U"

LED Specification

Standard	LED Color	LED Wavelength	Foward(A)	Foward(V)
	Green	568nm	20mA	1.8-2.8V
	Yellow	585nm	20mA	1.8-2.8V

AuGLAR	$\pm 5^{\circ}$
X.	± 0.40
X.x	± 0.30
X.xx	± 0.20
X.xxx	± 0.15
UNSPECIFIED TOLERANCES	



DESIGN	阿树	VIEW:		MODEL TYPE:	RJ JACK
CHECKED		UNIT:	mm/in	PART NO.:	X18ABDB1A3DY1027
APPROVED		SIZE:	A4	DWG NO.:	