



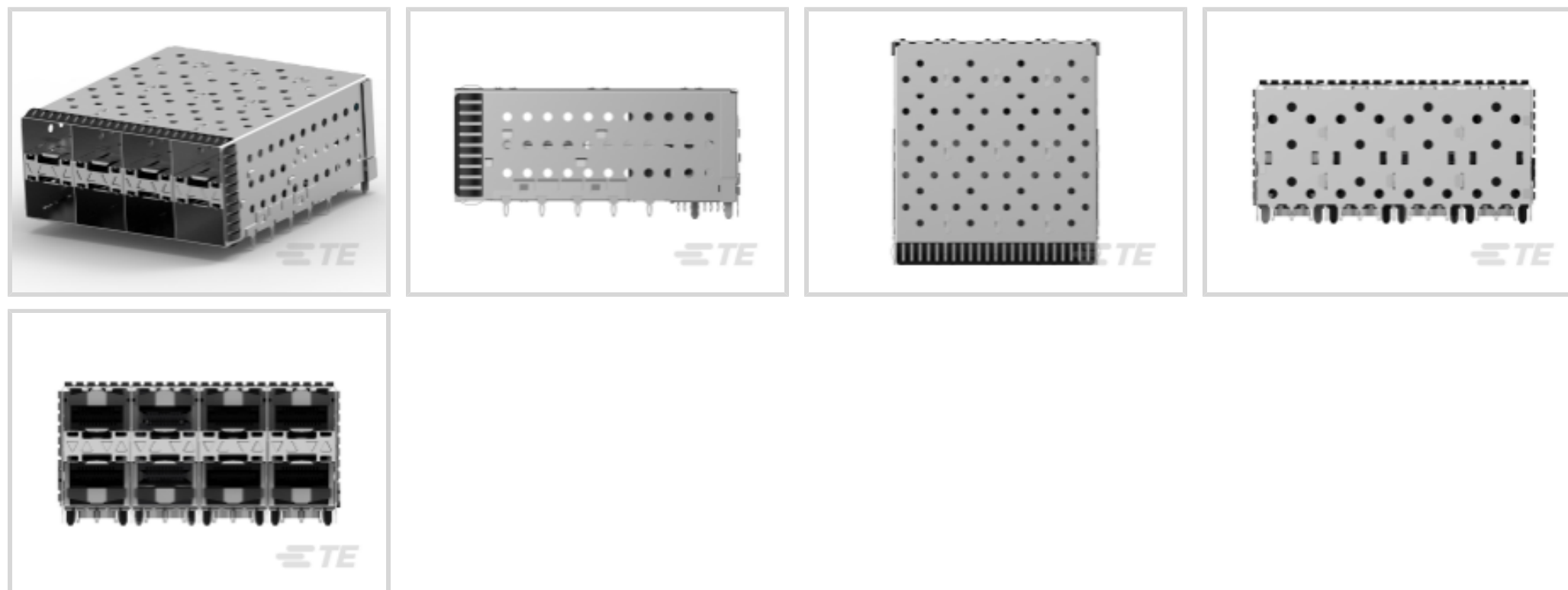
SFP28

TE Internal #: 2007394-5

SFP+, Cage Assembly with Integrated Connector, .8mm [.032in]  
Centerline, Signal, Operating Temperature Range -55 – 105 °C [-67 – 221 °F]

[View on TE.com >](#)

Connectors > Pluggable IO Connectors & Cages > SFP+ Stacked Cage Assemblies



Pluggable I/O Product Type: **Cage Assembly with Integrated Connector**

Centerline (Pitch): **.8 mm [ .032 in ]**

Sealable: **No**

Circuit Application: **Signal**

Operating Temperature Range: **-55 – 105 °C [ -67 – 221 °F ]**

[All SFP+ Stacked Cage Assemblies \(122\)](#)

## Features

### Product Type Features

Cage Type	Stacked
Pluggable I/O Product Type	Cage Assembly with Integrated Connector
Sealable	No
Form Factor	SFP+

### Configuration Features

Number of Positions	160
Number of Ports	8
Port Matrix Configuration	2 x 4

### Electrical Characteristics

Data Rate (Max)	16 Gb/s
-----------------	---------

### Contact Features

Tail Plating Material	Tin
-----------------------	-----



Contact Mating Area Plating Material Thickness	.76 µm
Contact Mating Area Plating Material	Gold or Gold Flash over Palladium Nickel

### Termination Features

Termination Post & Tail Length	3 mm[.118 in]
Termination Method to PCB	Through Hole - Press-Fit

### Housing Features

Cage Material	Nickel Silver
Centerline (Pitch)	.8 mm[.032 in]

### Dimensions

PCB Thickness (Recommended)	1.5 mm[.059 in]
-----------------------------	-----------------

### Usage Conditions

Operating Temperature Range	-55 – 105 °C[-67 – 221 °F]
-----------------------------	----------------------------

### Operation/Application

Pluggable I/O Applications	SFP+
Heat Sink Compatible	No
Circuit Application	Signal

### Industry Standards

UL Flammability Rating	UL 94V-0
------------------------	----------

### Packaging Features

Packaging Method	Tray
------------------	------

### Other

Included Lightpipe	Yes
EMI Containment Feature Type	Internal/External EMI Springs

### Product Compliance

[For compliance documentation, visit the product page on TE.com>](#)

EU RoHS Directive 2011/65/EU	Compliant
EU ELV Directive 2000/53/EC	Compliant
China RoHS 2 Directive MIIT Order No 32, 2016	No Restricted Materials Above Threshold
EU REACH Regulation (EC) No. 1907/2006	Current ECHA Candidate List: JUNE 2024 (241) Candidate List Declared Against: JUNE 2024 (241)



Does not contain REACH SVHC

Halogen Content

Not Low Halogen - contains Br or Cl > 900 ppm.

Solder Process Capability

Not applicable for solder process capability

Product Compliance Disclaimer

This information is provided based on reasonable inquiry of our suppliers and represents our current actual knowledge based on the information they provided. This information is subject to change. The part numbers that TE has identified as EU RoHS compliant have a maximum concentration of 0.1% by weight in homogenous materials for lead, hexavalent chromium, mercury, PBB, PBDE, DBP, BBP, DEHP, DIBP, and 0.01% for cadmium, or qualify for an exemption to these limits as defined in the Annexes of Directive 2011/65/EU (RoHS2). Finished electrical and electronic equipment products will be CE marked as required by Directive 2011/65/EU. Components may not be CE marked. Additionally, the part numbers that TE has identified as EU ELV compliant have a maximum concentration of 0.1% by weight in homogenous materials for lead, hexavalent chromium, and mercury, and 0.01% for cadmium, or qualify for an exemption to these limits as defined in the Annexes of Directive 2000/53/EC (ELV). Regarding the REACH Regulation, the information TE provides on SVHC in articles for this part number is based on the latest European Chemicals Agency (ECHA) 'Guidance on requirements for substances in articles' posted at this URL: <https://echa.europa.eu/guidance-documents/guidance-on-reach>

## Compatible Parts



TE Part # CAT-C11-H50626  
SFP+ to SFP+ I/O Cable Assembly: 30 AWG



TE Part # CAT-C11-N490333  
QSFP28-Four SFP+ Cable Assembly: 30 AWG



TE Part # CAT-C11-N490325  
QSFP28-Four SFP+ Cable Assembly: 26 AWG



TE Part # 2334985-2  
SFP28 DIRECT ATTACH CA, 1M, 32AWG



TE Part # CAT-C11-N4901114  
SFP28 to SFP28 Cable Assembly: 30 AWG



TE Part # CAT-C11-N49011  
SFP28 to SFP28 Cable Assembly: 26 AWG



TE Part # CAT-Q17-N49011  
QSFP56-Four SFP56 Cable Assembly: 30 AWG



TE Part # CAT-Q17-N490333  
QSFP56-Four SFP56 Cable Assembly: 26 AWG



TE Part # 4-2821224-5  
SFP56 DIRECT ATTACH CA, 3M, 26AWG



TE Part # 2007099-1  
SFP+ 1x4 Light Pipe Assembly



TE Part # 1761394-1  
DUST COVER, SFP, GANGED & STACKED



TE Part # 4-2334985-2  
SFP56 DIRECT ATTACH CA, 1M, 32AWG




TE Part # 2170068-1  
SFP+ 1x4 Light Pipe Assembly Low Profile



TE Part # CAT-C11-H506  
SFP+ to SFP+ I/O Cable Assembly: 26 AWG



TE Part # CAT-C11-H5062  
SFP+ to SFP+ I/O Cable Assembly: 28 AWG



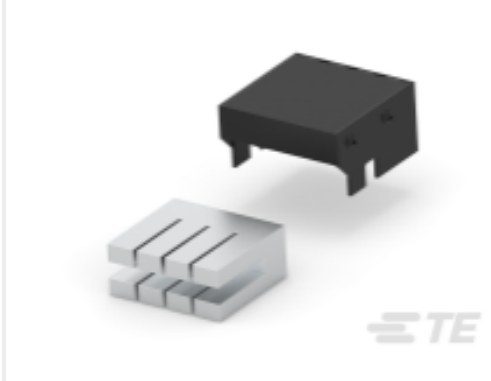
TE Part # 4-2821222-5  
SFP56 DIRECT ATTACH CA, 2M, 30AWG



TE Part # CAT-C11-H5  
SFP+ to SFP+ I/O Cable Assembly: 24 AWG



TE Part # 1888901-1  
SFP+ EMI Plug



TE Part # 2018280-3  
KIT, SEATING TOOL, SFP+2x4



TE Part # 2007099-4  
SFP+ 1x4 Light Pipe Assembly

## Customers Also Bought



TE Part #5179029-2  
0.8FH,P06H.5,060,08/Sn,TU



TE Part #5352033-1  
Z-PACK 2MM HM ASSY,TYPE-B 133P



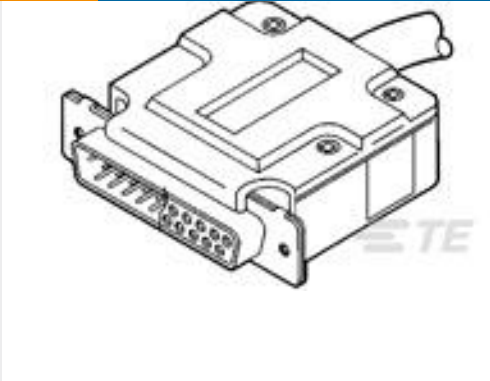
TE Part #1-5177986-4  
0.8FH,P06H.5,100,08/Sn,TR,SC



TE Part #5177986-6  
0.8FH,P05H.5,140,08/Sn,TR,SC



TE Part #1410189-3  
MULTIGIG RT T2 7RW H-LFT,ET2



TE Part #207467-1  
CABLE CLAMP KIT,SZ 1



TE Part #1982738-1  
Female Connector Telcordia



TE Part #2359366-5  
MCIO INTERGRATED CONN, V/T,8X, SMT TYPE



TE Part #1054869-1  
2084 0000 02

## Documents



### Product Drawings

[SFP+assy 2x4 Spring Fingers 4](#)

English

---

### CAD Files

[3D PDF](#)

3D

**Customer View Model**

[ENG\\_CVM\\_CVM\\_2007394-5\\_E.2d\\_dxf.zip](#)

English

**Customer View Model**

[ENG\\_CVM\\_CVM\\_2007394-5\\_E.3d\\_igs.zip](#)

English

**Customer View Model**

[ENG\\_CVM\\_CVM\\_2007394-5\\_E.3d\\_stp.zip](#)

English

By downloading the CAD file I accept and agree to the [Terms and Conditions](#) of use.

---

### Datasheets & Catalog Pages

[1773408-1 Pluggable Input/Output Solutions catalog - SFP+ section](#)

English

[SFP+ Product Family: Cages, Connectors, Cable Assemblies 4-1773449-5](#)

English

[4-1773455-3 - Quick Reference Guide SFP+ Solutions](#)

English

---

### Product Specifications

[Application Specification](#)

English

---

### Instruction Sheets

[Instruction Sheet \(U.S.\)](#)

English

[Instruction Sheet \(U.S.\)](#)

English