

connector - with screwless terminals, for harsh applications

Product description

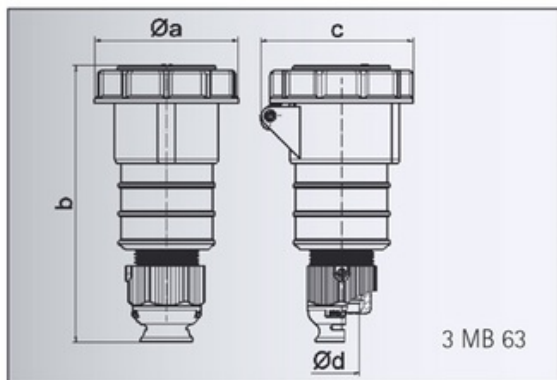
Order number	31240
EAN/pcs	4024941312400
Product Group	Quick-Connect TE-Plus Connector Multi-Grip cable gland
Amperage	16A
Poles	3p (2P+PE)
Earth 'Clock' Position	6 h
Voltage	200 up to 250V
Frequency	50 and 60Hz
Protection	IP67
Color code	blue RAL 5015
Connection Design	screwless spring terminals as cage clamp with Kontext-contact
Max. conductor	2,5 mm ²



Further Information

Additional technical information	For cable diameter from 8 up to max. 18 mm Multi-Grip cable gland with gasket, integrated cable clamp and additional water evacuation openings
----------------------------------	---------------------------------------------------------------------------------------------------------------------------------------------------

Material	
Material of Enclosure	Polyamide
Contact / Contact Carrier	contact carrier made of high temperature resistant material, contacts are brass nickel plated
Weight/pcs	0.175 kg
Packaging unit	10 pcs



Ampere	16	16	16	32	32	32
Polzahl	3	4	5	3	4	5
a ø	70,5	78,0	86,5	94,0	94,0	101,5
b	161,0	161,0	168,0	196,0	196,0	200,0
c	77,0	83,0	93,0	99,0	99,0	107,0
d ø	18,0	18,0	21,0	23,0	23,0	27,0
Leiter mm ² min	1	1	1	2,5	2,5	2,5
Leiter mm ² max	2,5	2,5	2,5	6	6	6