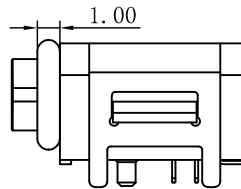
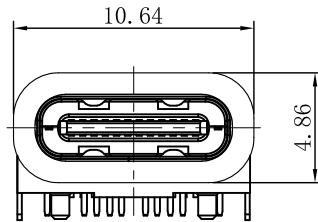
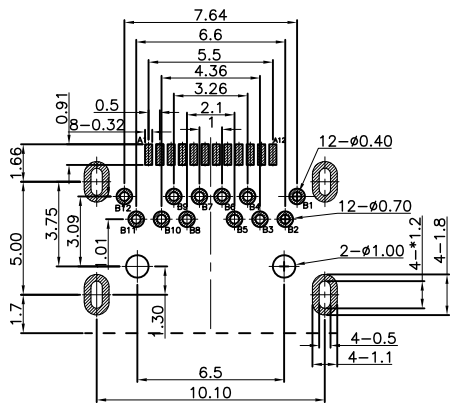
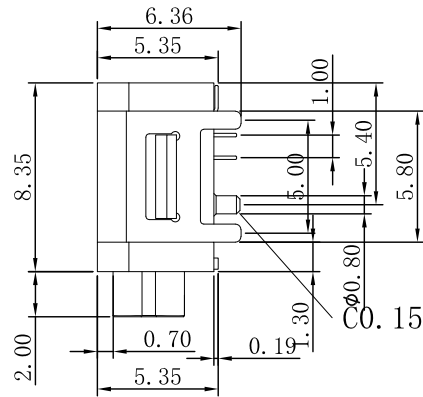
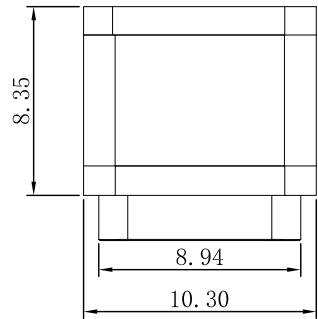


A1	GND	B12	GND
A2	SSTXP1	B11	SSTXP1
A3	SSTXN1	B10	SSTXN1
A4	VBUS	B09	VBUS
A5	CC1	B08	SBU2
A6	DP1	B07	DN2
A7	DN1	B06	DP2
A8	SBU1	B05	CC2
A9	VBUS	B04	VBUS
A10	SSRXN2	B03	SSRXN2
A11	SSRXP2	B02	SSRXP2
A12	GND	B01	GND
PIN	SIGNAL NAME	PIN	SIGNAL NAME

NO	DESCRIPTION	QTY	MATERIAL	REMARKS
1	Rear high	1PCS	PA10T	BLACK
2	SHELL HOUSING	1PCS	PA10T	BLACK
3	CONTACT	1SET	C7025	接触, SMT 1u"
4	Bracket	1PCS	STAINLESS STEEL	镀镍 30u"
5	SHELL	1PCS	STAINLESS STEEL	镀镍 30u"
6	Middle clip	1PCS	STAINLESS STEEL	Cleaning
7	Run-RING	1PCS	Silica gel	BLACK

NOTE:

- MECHANICAL PERFORMANCE,
 - INSERTION FORCE: 0.5~2.0kgf.
 - REMOVAL FORCE: 0.8kgf~2.0kgf.
 - DURABILITY: 10000 CYCLES.
- ELECTRICAL PERFORMANCE,
 - CURRENT RATING:3.0A
VOLTAGE RATING:5.0V
 - LLCR:
 - VBUS & GND PINS AND OTHER PINS: 40mΩ/PIN MAX.
SHIELD: 50mΩ/MAX.
LLCR MAX. CHANGE OF ALL PINS: 10mΩ.
 - INSULATION RESISTANCE: 100MΩ MIN
 - DIELECTRIC WITHSTAND VOLTAGE,AC 100V FOR 1 MINUTE.
- ENVIRONMENTAL PERFORMANCE:
 - OPERATING TEMPERATURE: -25°C~+85°C.
- IR REFLOW:
 - THE PEAK TEMPERATURE ON THE BOARD SHALL BE MAINTAINED FOR 10 SECONDS AT 260°C.



加防水圈示意图



深圳市华宇创精密电子有限公司

TOLERANCE: X.X ±0.30 X.XX ±0.25 X.XXX ±0.15 X' ±2' X.X' ±0.5'	DRAWN BY : 陈一鸣	DATE : 2014-02-23	PART NAME: USB TYPE C 防水母座24P 板上DIP+SMT
	CHECKED BY: 马跃	DATE : 2014-02-23	PART NO. HYCW369-USBC24-835B
UNIT: mm [inch] SCALE:1:1 SIZE: A4	APPROVED BY: 邱敏	DATE : 2014-02-23	DRAW NO: HYC-2206271558
			SHEET NO. 1 OF 1