

**PLEASE CHECK WWW.MOLEX.COM FOR LATEST PART INFORMATION**

**Part Number:** [47272-0008](#)  
**Status:** **Active**  
**Overview:** DisplayPort\* Cables and Connectors  
**Description:** 0.50mm Pitch DisplayPort\* Male Receptacle, Right Angle, SMT, 0.76µm Gold (Au) Plating, 20 Circuits, with Peg and Solder Tabs of Shell, Lead-Free

**Documents:**

[3D Model](#) [RoHS Certificate of Compliance \(PDF\)](#)  
[Drawing \(PDF\)](#)

**Agency Certification**

UL E29179

**General**

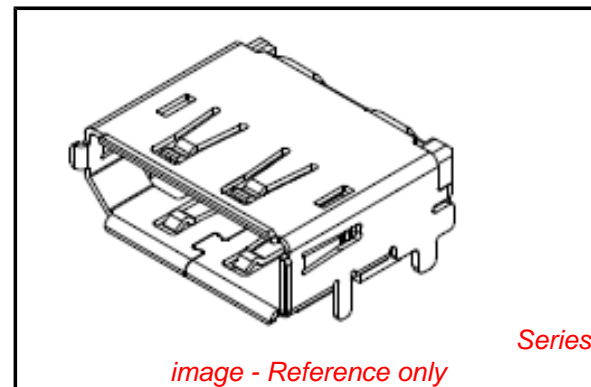
Product Family	I/O Connectors
Series	<a href="#">47272</a>
Application	Wire-to-Board
Comments	With Peg
Component Type	Receptacle
Overview	<a href="#">DisplayPort* Cables and Connectors</a>
Product Name	DisplayPort*
Type	N/A
UPC	883906603885

**Physical**

Circuits (Loaded)	20
Circuits (maximum)	20
Color - Resin	Black
Flammability	94V-0
Gender	Male
Keying to Mating Part	Yes
Lock to Mating Part	Yes
Material - Metal	Copper Alloy
Material - Plating Mating	Gold
Material - Plating Termination	Tin-Bismuth
Material - Resin	High Temperature Thermoplastic
Net Weight	2.800/g
Number of Rows	2
Orientation	Right Angle
PCB Locator	Yes
PCB Retention	Yes
Packaging Type	Embossed Tape on Reel
Panel Mount	Without Flange
Pitch - Mating Interface	0.50mm
Pitch - Termination Interface	0.50mm
Plating min - Mating	0.762µm
Plating min - Termination	1.016µm
Polarized to Mating Part	Yes
Polarized to PCB	Yes
Ports	1
Temperature Range - Operating	-20°C to +85°C
Termination Interface: Style	Surface Mount
Waterproof / Dustproof	No

**Electrical**

Current - Maximum per Contact 0.5A



*image - Reference only*

**EU RoHS**

**ELV and RoHS Compliant**  
**REACH SVHC Contains SVHC: No**  
**Low-Halogen Status Low-Halogen**

**China RoHS**



**Need more information on product environmental compliance?**

Email [productcompliance@molex.com](mailto:productcompliance@molex.com)  
 For a multiple part number RoHS Certificate of Compliance, [click here](#)

Please visit the [Contact Us](#) section for any non-product compliance questions.

**Search Parts in this Series**

[47272Series](#)

**Mates With**

[47271 Plug Sub-Assemblies](#), [68783 Cable Series](#)

Grounding to Panel	Yes
Shielded	Yes
Voltage - Maximum	40V AC

#### **Solder Process Data**

Duration at Max. Process Temperature (seconds)	3
Lead-free Process Capability	Reflow Capable (SMT only)
Max. Cycles at Max. Process Temperature	2
Process Temperature max. C	250

#### **Material Info**

#### **Reference - Drawing Numbers**

Sales Drawing	SD-47272-008
---------------	--------------

\* DisplayPort is a Trademark of VESA

This document was generated on 10/07/2013

**PLEASE CHECK [WWW.MOLEX.COM](http://WWW.MOLEX.COM) FOR LATEST PART INFORMATION**