

# SFP 1-15/120AC - EMC filter surge protection device



2920683

<https://www.phoenixcontact.com/us/products/2920683>

Please be informed that the data shown in this PDF document is generated from our online catalog. Please find the complete data in the user documentation. Our general terms of use for downloads are valid.



Device protection, according to type 3/class III, with mains interference filter to prevent high-frequency interference voltages, for 1-phase power supply networks with separate N and PE (3-conductor system: L1, N, PE), with remote indication contact.

## Product description

Device protection with interference filter

## Your advantages

- Optimized protective effect with combined protective circuit for absorbing transient overvoltages for attenuating high-frequency interference
- Symmetrical design of the protective circuit with surge protection components on the input and output sides of the filter
- Protection against excessive heating with thermal monitoring of the protective circuit
- Versatile in use with universal circuit design

## Commercial data

Item number	2920683
Packing unit	1 pc
Minimum order quantity	1 pc
Sales key	CL06
Product key	CLC131
Catalog page	Page 209 (C-4-2019)
GTIN	4046356158565
Weight per piece (including packing)	611.3 g
Weight per piece (excluding packing)	571.28 g
Customs tariff number	85363010
Country of origin	DE

# SFP 1-15/120AC - EMC filter surge protection device



2920683

<https://www.phoenixcontact.com/us/products/2920683>

## Technical data

### Notes

#### General

Note	For IT systems: only install the device in 120 V IT systems with common HV/LV grounding system.
------	---

### Product properties

Product type	EMC filters
Product family	SFP
Type	DIN rail module, one-piece
Number of positions	2
For country-specific use in	USA, CN, BR
Surge protection fault message	Optical, remote indicator contact

#### Insulation characteristics

Overvoltage category	III
Pollution degree	2
IEC test classification	III
	T3
EN type	T3
Number of ports	Two

### Electrical properties

#### Indicator/remote signaling

Connection name	Remote fault indicator contact
Switching function	Changeover contact
Operating voltage	12 V AC ... 250 V AC
	250 V DC (250 mA DC)
Operating current	100 mA AC ... 1 A AC
	1 A DC (48 V DC)

### Connection data

Connection method	Screw terminal blocks
Screw thread	M3
Tightening torque	0.5 Nm ... 0.6 Nm
	4.5 lb <sub>F</sub> -in. ... 5.5 lb <sub>F</sub> -in.
Conductor cross section flexible	2.5 mm <sup>2</sup> ... 4 mm <sup>2</sup>
Conductor cross section rigid	2.5 mm <sup>2</sup> ... 6 mm <sup>2</sup>
Conductor cross section AWG	14 ... 10

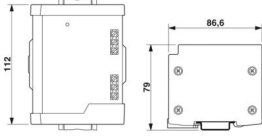
### Dimensions

# SFP 1-15/120AC - EMC filter surge protection device



2920683

<https://www.phoenixcontact.com/us/products/2920683>

Dimensional drawing	
Width	112 mm
Height	86.6 mm
Depth	79 mm

## Material specifications

Color	black (RAL 9005) silver-colored
Flammability rating according to UL 94	V-0
Insulating material	ABS
Housing material	Aluminum

## Mechanical properties

### Mechanical data

Open side panel	No
-----------------	----

## Protective circuit

Mode of protection	L-N L-PE N-PE
Direction of action	L-N & L(N)-PE
Nominal voltage $U_N$	120 V AC (TN) 120 V AC (TT - only in use with RCD) 120 V AC (IT)
Nominal frequency $f_N$	50 Hz (60 Hz)
Maximum continuous voltage $U_C$	150 V AC
Rated load current $I_L$	15 A (50 °C)
Residual current $I_{PE}$	$\leq 0.6$ mA
Standby power consumption $P_C$	$\leq 7.50$ VA (at $U_{REF}$ ) $\leq 10.00$ VA (at $U_C$ )
Reference test voltage $U_{REF}$	132 V AC
Nominal discharge current $I_n$ (8/20) $\mu$ s	3 kA
Combination wave $U_{OC}$	6 kV (3 kA)
Voltage protection level $U_p$	$\leq 0.45$ kV
TOV behavior at $U_T$ (L-N)	175 V AC (5 s / withstand mode) 240 V AC (5 s / safe failure mode) 208 V AC (120 min / safe failure mode) 208 V AC (5 s / withstand mode)

# SFP 1-15/120AC - EMC filter surge protection device



2920683

<https://www.phoenixcontact.com/us/products/2920683>

TOV behavior at $U_T$ (L-PE)	175 V AC (120 min / withstand mode)
	1332 V AC (200 ms / safe failure mode)
TOV behavior at $U_T$ (N-PE)	1200 V AC (200 ms / safe failure mode)
Response time $t_A$	$\leq 25$ ns
Capacity (L-N)	1 $\mu$ F $\pm 10$ %
	10 nF $\pm 10$ % (X2-275 V)
Capacity (L-PE)	2.2 nF $\pm 20$ % (Y2-250 V)
Capacity (N-PE)	2.2 nF $\pm 20$ % (Y2-250 V)
Max. required back-up fuse	20 A (MCB B/general purpose)
	16 A (IT - MCB B/general purpose)
Input attenuation aE, sym.	20 dB ( $\geq 100$ kHz / 50 $\Omega$ )
Input attenuation aE, asym.	30 dB ( $\geq 1$ MHz / 50 $\Omega$ )
Short-circuit current rating $I_{SCCR}$	5 kA AC (TN/TT)
	1 kA AC (IT)

## Filter data

Discharge resistance	820 k $\Omega$
----------------------	----------------

## Environmental and real-life conditions

### Ambient conditions

Degree of protection	IP20
Ambient temperature (operation)	-25 °C ... 70 °C
Ambient temperature (storage/transport)	-25 °C ... 70 °C
Permissible humidity (operation)	5 % ... 95 %

## Approvals

### UL specifications

Maximum continuous operating voltage MCOV (L-N)	150 V AC
Maximum continuous operating voltage MCOV (L-G)	150 V AC
Maximum continuous operating voltage MCOV (N-G)	150 V AC
Short-circuit current rating (SCCR)	5 kA
Voltage protection rating VPR (L-N)	500 V
Voltage protection rating VPR (L-G)	500 V
Voltage protection rating VPR (N-G)	500 V
Nominal discharge current $I_n$	3 kA
Mode of protection	L-N
	L-G
	N-G
Power distribution system	Single phase
Nominal frequency	50/60 Hz
SPD Type	2CA

### UL indicator/remote signaling

Operating voltage	12 V AC ... 250 V AC
-------------------	----------------------

# SFP 1-15/120AC - EMC filter surge protection device



2920683

<https://www.phoenixcontact.com/us/products/2920683>

DC operating voltage	250 V DC (250 mA DC)
AC operating current	100 mA AC ... 1 A AC
DC operating current	1 A DC (48 V DC)

## UL connection data

Tightening torque	5 lb <sub>F</sub> -in. ... 7 lb <sub>F</sub> -in.
Conductor cross section AWG	12 ... 10

## Standards and regulations

### Air clearances and creepage distances

Standards/regulations	DIN VDE 0110-1 / IEC 60664-1 / IEC 61643-1
Standards/specifications	IEC 61643-11
Note	2011
Standards/specifications	EN 61643-11
Note	2012

## Mounting

Mounting type	DIN rail: 35 mm
---------------	-----------------

# SFP 1-15/120AC - EMC filter surge protection device

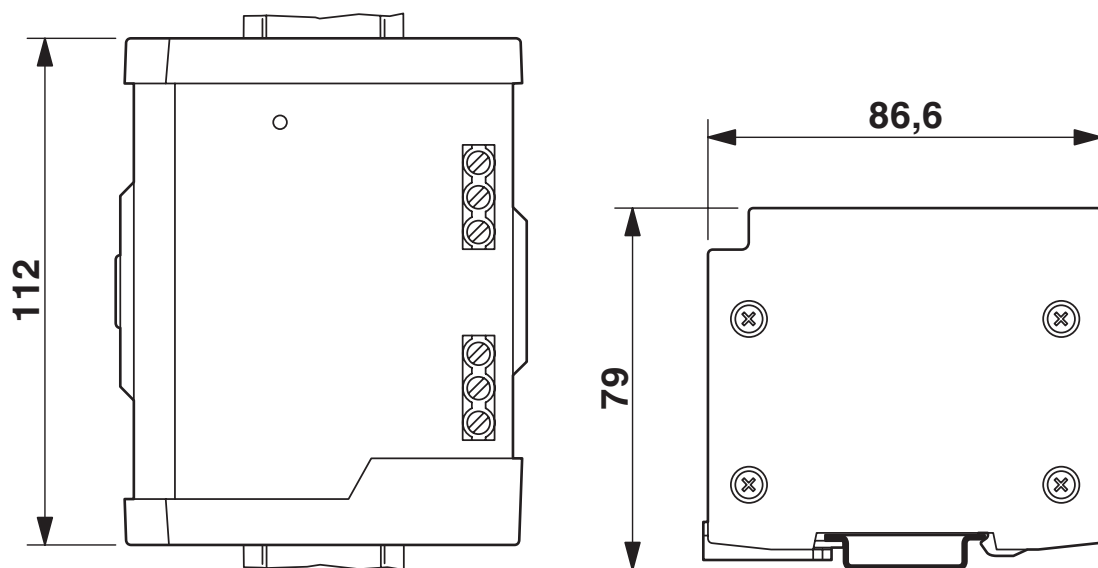


2920683

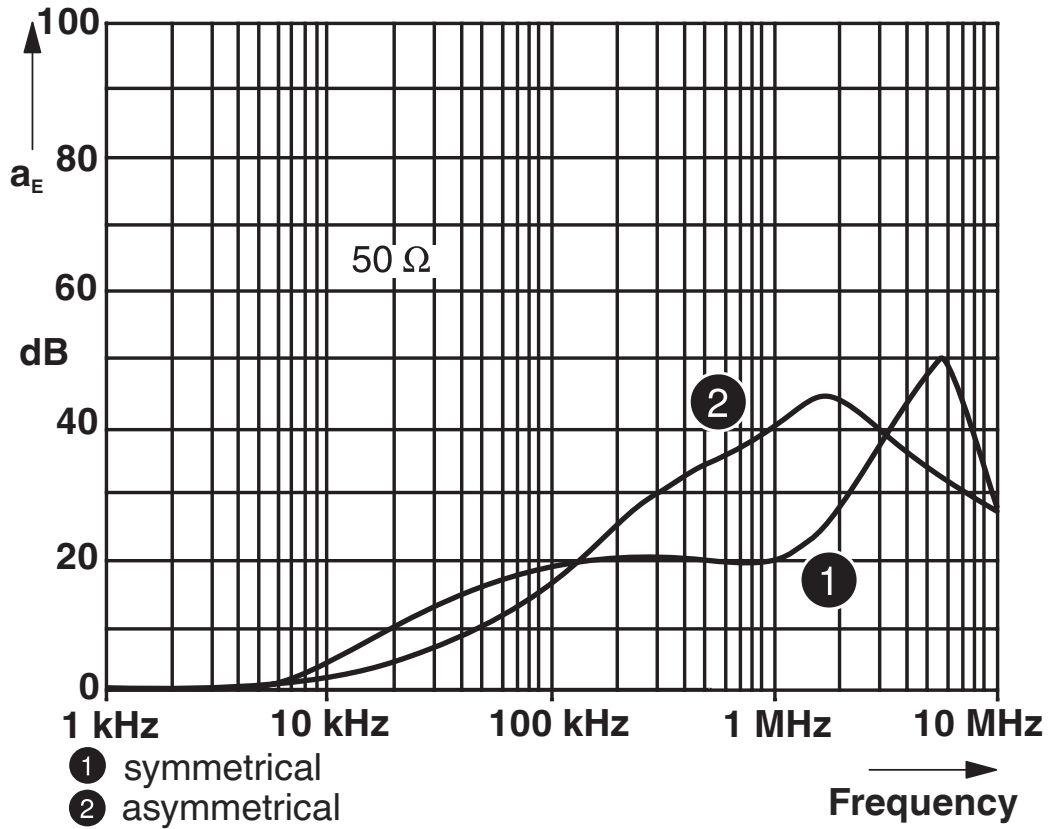
<https://www.phoenixcontact.com/us/products/2920683>

## Drawings

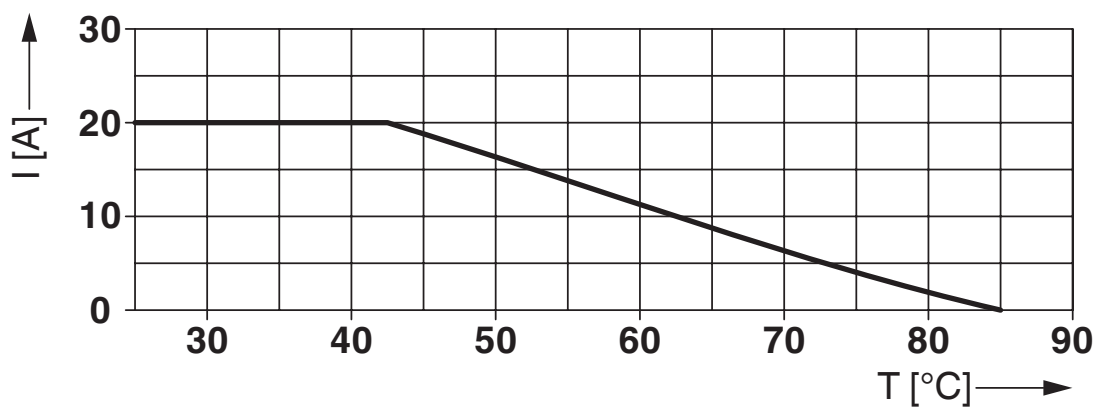
Dimensional drawing



Diagram



Diagram



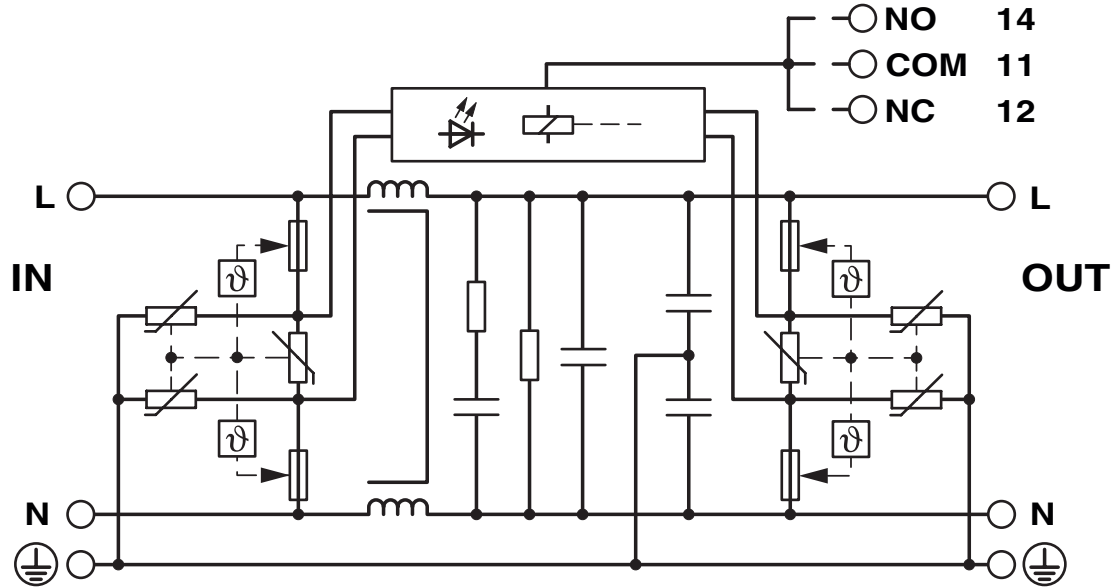
# SFP 1-15/120AC - EMC filter surge protection device



2920683

<https://www.phoenixcontact.com/us/products/2920683>

Circuit diagram



# SFP 1-15/120AC - EMC filter surge protection device



2920683

<https://www.phoenixcontact.com/us/products/2920683>

## Approvals

To download certificates, visit the product detail page: <https://www.phoenixcontact.com/us/products/2920683>



**cUL Recognized**  
Approval ID: FILE E 330181



**UL Recognized**  
Approval ID: FILE E 330181



**EAC**  
Approval ID: RU C-DE.\*09.B.00169



**CSA**  
Approval ID: 13631



**CSAus**  
Approval ID: 13631

**UAE-RoHS**  
Approval ID: 23-10-88892

**cULus Recognized**

# SFP 1-15/120AC - EMC filter surge protection device



2920683

<https://www.phoenixcontact.com/us/products/2920683>

## Classifications

### ECLASS

ECLASS-11.0	27130806
ECLASS-13.0	27171203

### ETIM

ETIM 9.0	EC000942
----------	----------

### UNSPSC

UNSPSC 21.0	39121600
-------------	----------

# SFP 1-15/120AC - EMC filter surge protection device



2920683

<https://www.phoenixcontact.com/us/products/2920683>

## Environmental product compliance

### EU RoHS

Fulfills EU RoHS substance requirements	Yes
Exemption	7(a)

### China RoHS

Environment friendly use period (EFUP)	EFUP-50
	An article-related China RoHS declaration table can be found in the download area for the respective article under "Manufacturer declaration". For all articles with EFUP-E, no China RoHS declaration table issued and required.

### EU REACH SVHC

REACH candidate substance (CAS No.)	Hexahydromethylphthalic anhydride(CAS: n/a)
	Lead(CAS: 7439-92-1)
	6,6'-di-tert-butyl-2,2'-methylenedi-p-cresol(CAS: 119-47-1)
SCIP	88f39971-ceb6-4b21-a181-ac7e1d301152

Phoenix Contact 2024 © - all rights reserved  
<https://www.phoenixcontact.com>

Phoenix Contact USA  
586 Fulling Mill Road  
Middletown, PA 17057, United States  
(+717) 944-1300  
[info@phoenixcon.com](mailto:info@phoenixcon.com)