

Customer Information Sheet

DRAWING No.: M80-456XX98 SHT 2 OF 2

IF IN DOUBT - ASK



NOT TO SCALE

THIRD ANGLE PROJECTION

ALL DIMENSIONS IN mm

SPECIFICATION:

MATERIAL:

HOUSING = GLASS-FILLED POLYAMIDE 46,
UL94V-0, BLACK

JACKSCREW, CIRCLIP = STAINLESS STEEL

ELECTRICAL:

CURRENT RATING AT 25°C = 3.0A MAX

CURRENT RATING AT 85°C = 2.2A MAX

WORKING VOLTAGE = 800V AC/DC

VOLTAGE PROOF = 1200V AC/DC

CONTACT RESISTANCE = 25 mΩ MAX

INSULATION RESISTANCE = 100 MΩ MIN

MECHANICAL:

DURABILITY = 400 OPERATIONS

INSERTION FORCE = 2.8N MAX

WITHDRAWAL FORCE = 0.2N MIN

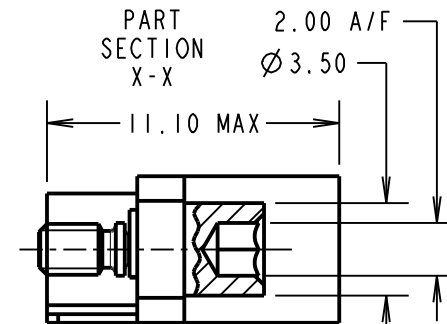
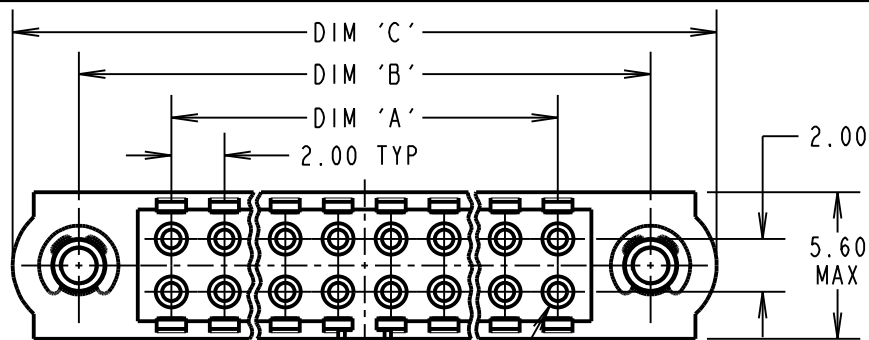
ENVIRONMENTAL:

TEMPERATURE RANGE = -55°C TO +125°C

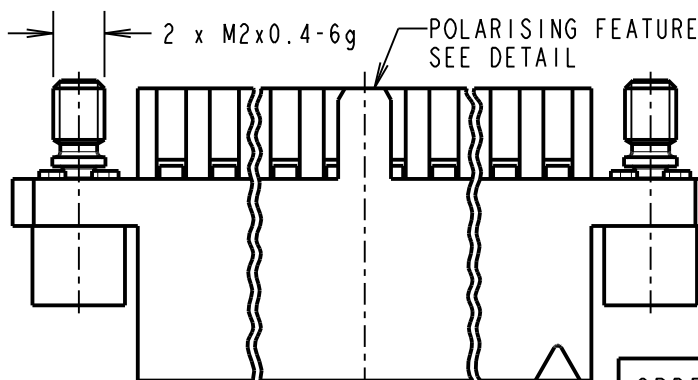
PACKING:

BAG

FOR COMPLETE SPECIFICATION, SEE COMPONENT
SPECIFICATION C040XX (LATEST ISSUE)



CONTACT POSITION No. 1



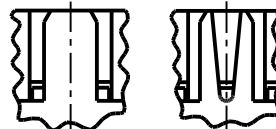
NOTES:

1. POLARISING FEATURE STYLE DEPENDANT ON NUMBER OF CONTACT POSITIONS.
2. HOUSING TO BE USED WITH DATAMATE TRIO-TEK CRIMP CONTACTS:
M80-25300XX = 24-22 AWG REELED
M80-25400XX = 28-26 AWG REELED
M80-28300XX = 24-22 AWG LOOSE
M80-28400XX = 28-26 AWG LOOSE
3. THE SPECIFICATION APPLIES WHEN HOUSING IS USED WITH THE ABOVE CONTACTS.
4. CONTACT EXTRACTION TOOL = Z80-258.
5. INSTRUCTION SHEETS ARE AVAILABLE.

DIMENSION	CALCULATION
DIM 'A'	TOTAL No. OF CONTACT POSITIONS - 2
DIM 'B'	TOTAL No. OF CONTACT POSITIONS + 5
DIM 'C'	TOTAL No. OF CONTACT POSITIONS + 10
EXAMPLE: CONNECTOR WITH 20 CONTACT POSITIONS, M80-4562098	
DIM 'A' = 18.00mm, DIM 'B' = 25.00mm, DIM 'C' = 30.00mm	

POLARISING FEATURE
DETAIL
SEE NOTE 1

STYLE A STYLE B



ORDER CODE:

M80-456XX98

TOTAL No. OF
CONTACT POSITIONS _____
04, 06, 08, 10, 12, 14, 20,
26, 28, 34, 42, 50

PLEASE CONTACT
datamate@harwin.com
FOR CURRENT AVAILABILITY

MSP	4	07.01.16	13139
NAME	ISS.	DATE	C/NOTE
APPROVED:		M.PERREN	
CHECKED:		M.PLESTED	
DRAWN:		B. M. KENT	
CUSTOMER REF.:			
ASSEMBLY DRG:			

HARWIN

www.harwin.com
technical@harwin.com

THIS DRAWING AND ANY
INFORMATION OR DESCRIPTIVE
MATTER SET OUT HEREON ARE
CONFIDENTIAL AND COPYRIGHT
PROPERTY OF THE HARWIN
GROUP AND MUST NOT BE
DISCLOSED, LOANED, COPIED
OR USED FOR MANUFACTURING,
TENDERING OR FOR ANY
OTHER PURPOSE WITHOUT
THEIR WRITTEN PERMISSION.

TOLERANCES
X. = ±1mm
X.X = ±0.50mm
X.XX = ±0.10mm
X.XXX = ±0.01mm
ANGLES = ±5°
UNLESS STATED

MATERIAL:
SEE ABOVE
FINISH:
S/AREA: mm²

TITLE: DATAMATE TRIO-TEK
FEMALE CRIMP HOUSING
WITH HEX SOCKET JACKSCREW

DRAWING NUMBER:
M80-456XX98

SHT
2 OF 2

Mouser Electronics

Authorized Distributor

Click to View Pricing, Inventory, Delivery & Lifecycle Information:

[Harwin:](#)

[M80-4561298](#) [M80-4560698](#) [M80-4565098](#) [M80-4562098](#) [M80-4560898](#) [M80-4561498](#) [M80-4563498](#) [M80-4562698](#) [M80-4561098](#) [M80-4564298](#)