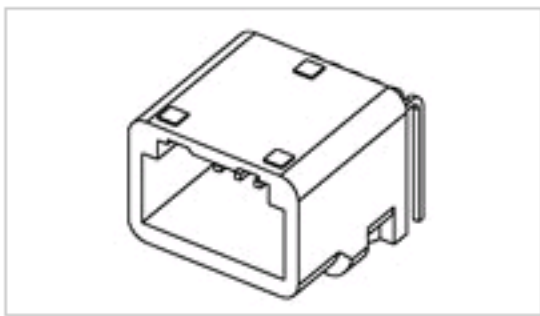


## 2-1318772-2 Product Details

[Share](#) | [Print](#) | [Email](#)


### 0.025 Series and Hybrid Connectors and Contacts

025 12Pos Cap Assy  
**2-1318772-2**  
TE Internal Number: 2-1318772-2

**Active**  
 [View 3D PDF](#)

**Product Highlights** [View All](#)

- Product Series = 025
- Wire-to-Board
- Applies To Printed Circuit Board
- Connector
- Connector Assembly

- [Pricing & Availability](#)
- [Request Sample](#)
- [Add to My Part List](#)
- [Buy Product through Distributor](#)

Feedback

[Documents](#) | [Features](#) | [Compliance](#)

**Please Note:**  
Use the Product Drawing for all design activity

Product Type Features	
Product Series	025
Product Type	Connector
Connector Type	Connector Assembly
PCB Mounting Orientation	Right Angle
PCB Mount Retention	With
PCB Mount Retention Type	Tapping Screw
Sealed	No
PCB Mount Alignment	With
PCB Mount Alignment Type	Mounting Holes

Mechanical Attachment	
Contact Retention	Without
Mating Retention Type	Latch(ing)
Panel Mount Retention	Without

Electrical Characteristics	
Operating Voltage Reference	DC
Operating Voltage (VDC)	12

Termination Features	
Termination Method to Wire/Cable	Solder
Termination Method to PC Board	Through Hole - Solder

Dimensions	
Tab Width (mm [in])	0.64 [0.025]
Tail Length (mm [in])	4 [0.157]
PCB Thickness, Recommended (mm [in])	1.20 [0.048], 1.60 [0.063]
Length (X-Axis) (mm [in])	18.40 [0.7244]
Width (Z-Axis) (mm [in])	18.60 [0.73228]
Profile Height (Y-Axis) (mm [in])	15.50 [0.6102]

Body Features	
Mating Retention	With

Contact Features	
Contact Type	Tab
Multiple Contact Types	Without
Contact Base Material	Brass
Contact Mating Area Plating (Signal)	Selective Tin
Contact Plating, Termination Area, Material	Selective Tin
Contact Plating, Termination Area, Thickness (µm [µin])	2.5 [98.42]
Underplate Material	Nickel
Underplate Material Thickness (µm [µin])	0.80 - 1.50 [31.496 - 59.055]
Shunts/Shorting Bars	Without

Housing Features	
Connector Style	Receptacle
Centerline (mm [in])	2.20 [0.087]
Housing Material	PBT GF15
Housing Color	Natural
Mating Alignment	With
Mating Alignment Type	Polarization

Configuration Features	
Number of Positions	12
Number of Rows	2
Strain Relief	Without
GET 0.64 Connector System	No

Industry Standards	
RoHS/ELV Compliance	RoHS compliant, ELV compliant
Lead Free Solder Processes	Wave solder capable to 240°C
RoHS/ELV Compliance History	Always was RoHS compliant

Environmental	
Operating Temperature (°C [°F])	-30 - +105 [-22 - +221]

Conditions for Usage	
Applies To	Printed Circuit Board
For Use With	Plug: 1318774, 1376675, 1717106 or 1746872

Operation/Application	
Application Use	Wire-to-Board
Contact Transmits (Typical Application)	Signal (Data)

Packaging Features	
Packaging Method	Tube, Box/Carton
Packaging Quantity	23

Other	
Brand	TE Connectivity

**Related Products**

Not quite the product you're looking for?  
[Find Similar Products](#)

[View Part in Product Feature Selector](#)

[View Mating Products \(6\)](#)

[Check for Tooling](#)

- Corporate Information**
- [About TE](#)
  - [Investors](#)
  - [News Room](#)
  - [Supplier Portal](#)
  - [Careers](#)
  - [Terms & Conditions](#)
  - [Privacy Policy](#)
  - [Global Accessibility Statement](#)

- Quick Links**
- [Distributor Inventory](#)
  - [Product Cross Reference](#)
  - [Documents & Drawings](#)
  - [Product Compliance Support Center](#)
  - [Site Map](#)

- Customer Support**
- [Email or Chat With Us](#)
  - [Find a Phone Number](#)
  - [Knowledge Base](#)
  - [Manage Your Account](#)

**Keep Me Informed**