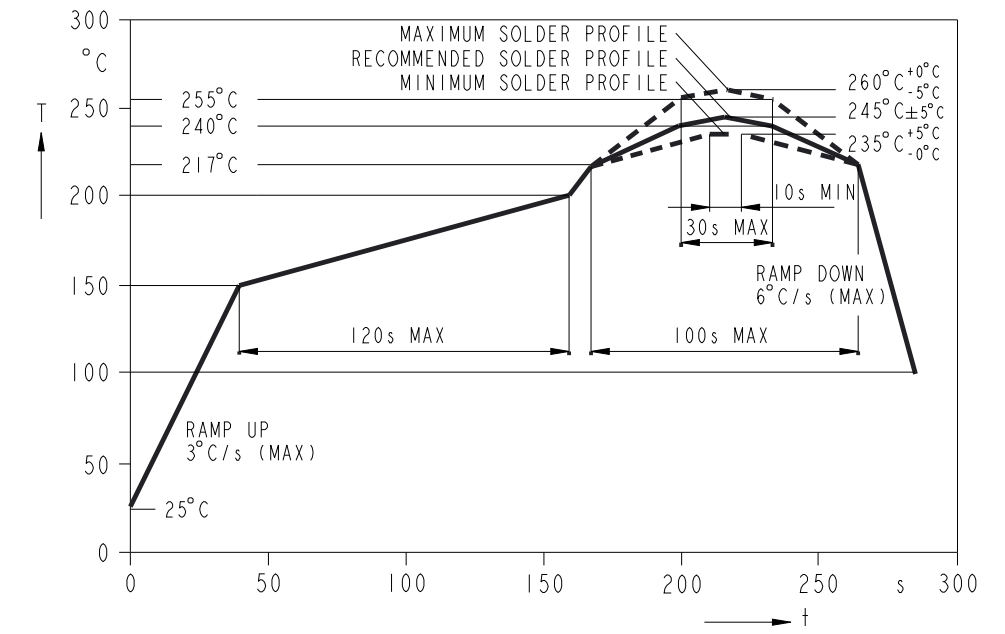


PART NUMBER	LED COLOR
591-2101-107NF	GaAlAs RED
591-2101-113NF	
591-2601-107NF	BLUE
591-2601-113NF	
591-2701-107NF	AlInGaP YELLOW
591-2701-113NF	
591-2801-107NF	WHITE
591-2801-113NF	
591-2901-107F	InGaN GREEN
591-2901-113F	

LED COLOR	OPERATING CHARACTERISTICS AT 25°C AMBIENT												
	LUMINOUS INTENSITY TEST CONDITION	LUMINOUS INTENSITY (mcd)			FORWARD VOLTAGE TEST CONDITION	FORWARD VOLTAGE (V)			REVERSE CURRENT (mA)	DOMINANT WAVELENGTH (nm)			VIEWING ANGLE (DEG)
		MIN	TYP	MAX		MIN	TYP	MAX		MIN	TYP	MAX	
GaAlAs RED	IF = 10mA		33		IF = 20mA	1.85	2.5	10		640		40	
BLUE	IF = 10mA		270		IF = 20mA	2.8	3.5	10	465	470	475	40	
AlInGaP YELLOW	IF = 10mA		62		IF = 20mA	2.0	2.4	10	580	587	595	40	
WHITE	IF = 10mA		230		IF = 3mA	2.7	3.1	10		x=.281 y=.247		40	
InGaN GREEN	IF = 10mA		160		IF = 20mA	3.4	4.05	10	515	525	535	40	

LED COLOR	ABSOLUTE MAXIMUM RATINGS AT 25°C AMBIENT						
	FORWARD CURRENT (mA)	POWER DISSIPATION	PEAK FORWARD CURRENT (mA) (t ≤ 10ms, D = .005)	LINEAR DERATION	REVERSE VOLTAGE (V)	OPERATING TEMPERATURE	STORAGE TEMPERATURE
GaAlAs RED	30	75	155	0.42 mA/°C FROM 25°C	12	-40°C / +85°C	-40°C / +85°C
BLUE		100	100	0.57 mA/°C FROM 50°C	5	-40°C / +85°C	-40°C / +100°C
AlInGaP YELLOW		80	72	1.0 mA/°C FROM 50°C	5	-40°C / +100°C	-40°C / +100°C
WHITE		91	91	0.67 mA/°C FROM 50°C	5	-40°C / +100°C	-40°C / +100°C
InGaN GREEN		115	100	0.42 mA/°C FROM 40°C	5	-40°C / +100°C	-55°C / +100°C

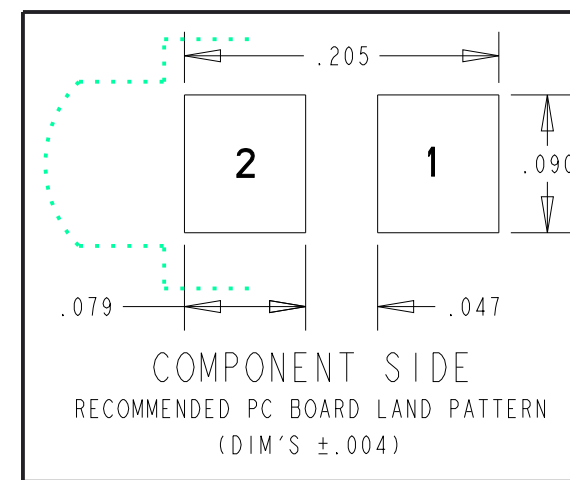
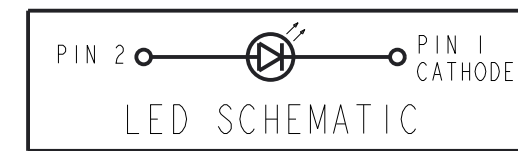
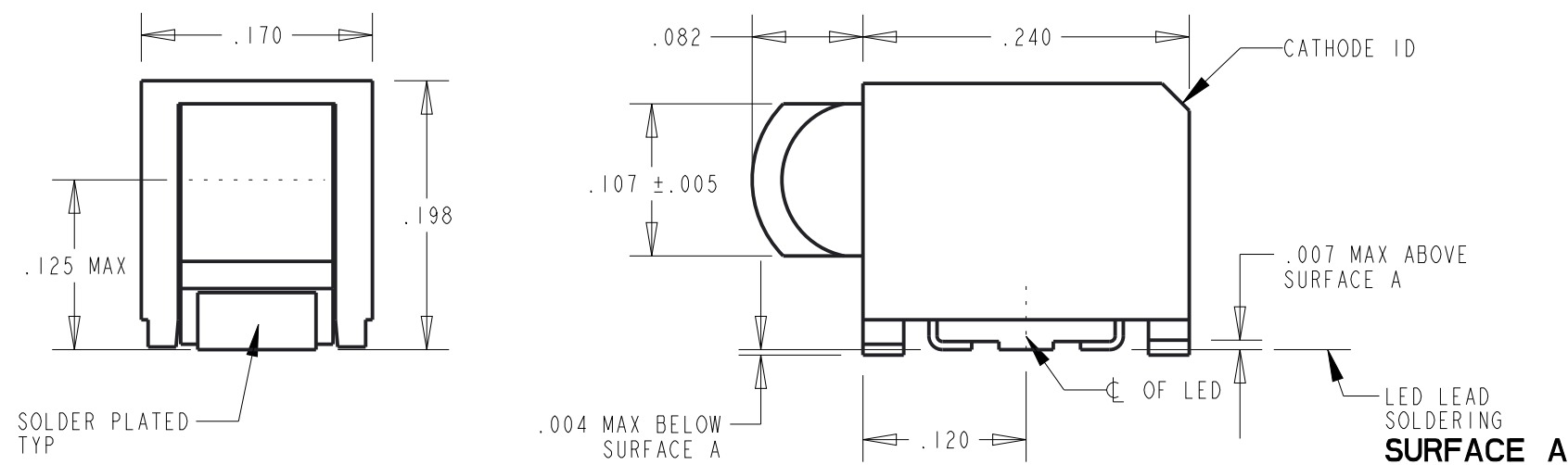
REV	REVISIONS	DRN	CKD	APP	DATE
A	NEW RELEASE	LD		NO	2-18-21
B	CHANGED FORWARD VOLTAGE FROM 10mA to 20mA	LD		NO	3-9-21
C	REMOVED PART NUMBERS W/ 002 SUFFIX, 591-2001-10XNF, 591-2301-10XNF, 591-2401-10XNF & 591-2501-10XNF, MSL REMOVED. ADDED PART NUMBERS 591-2601-107NF/113NF, 591-2701-107NF/113NF, 591-2801-107NF/113NF. REVISED NOTE 5 AND NOTE 8	LD		CS	4-18-24



RECOMMENDED RoHS COMPLIANT REFLOW PROFILE

NOTES :

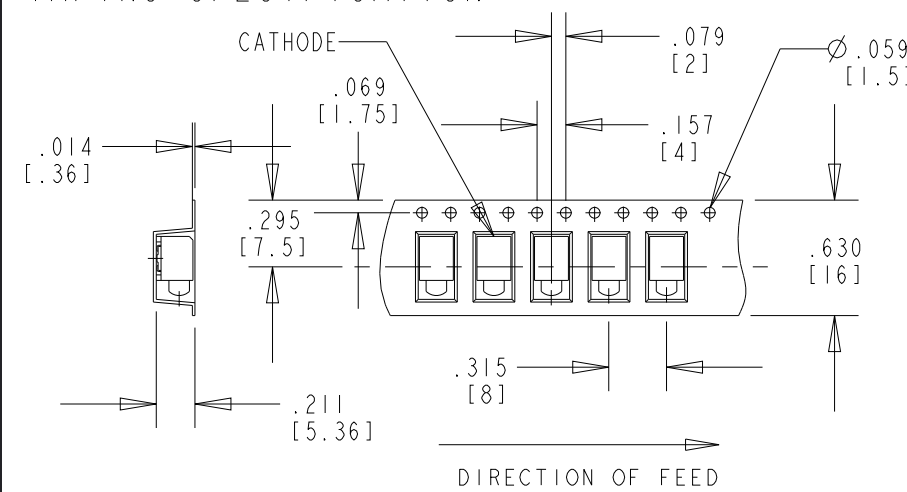
- MILLIMETER DIMENSIONS SHOWN FOR REFERENCE ONLY.
- PAD NUMBERS ARE FOR REFERENCE ONLY, DESIGNATION NON-EXISTENT ON PART.
- STORAGE CONDITIONS FOR TAPED PRODUCT: RE-TAPING MAY BE NECESSARY FOR PRODUCTS STORED MORE THAN TWELVE MONTHS.
- ORDER QUANTITY IS LED ASSEMBLIES, NOT REELS.
- ...-107NF SUFFIX MEANS PARTS ARE PACKED ON A 7 INCH REEL, 400 pcs/REEL  
...-113NF SUFFIX MEANS PARTS ARE PACKED ON A 13 INCH REEL, 1600 pcs/REEL
- LENS MOVEMENT IN RELATIONSHIP TO THE HOUSING IS:  
.009" T.I.R. VERTICALLY  
.007" T.I.R. HORIZONTALLY
- FRONT AND REAR TERMINALS OF THE ASSEMBLY TO BE WITHIN .005 COPLANARITY.
- DIALIGHT PART NUMBERS = 591-2x01-107NF 591-2x01-113NF
- DRY PACK PACKAGING CONSIST OF A DESICCANT AND HUMIDITY INDICATOR CARD IN A VACUUM SEALED MOISTURE BARRIER BAG, MOISTURE SENSITIVITY LABEL
- THIS ASSEMBLY CONTAINS ELECTROSTATIC DISCHARGE SENSITIVE DEVICES (ESDS). MAINTAIN ALL PRECAUTIONARY MEASURES DURING ASSEMBLY, HANDLING, AND STORAGE IN ACCORDANCE WITH IPC-A-610.



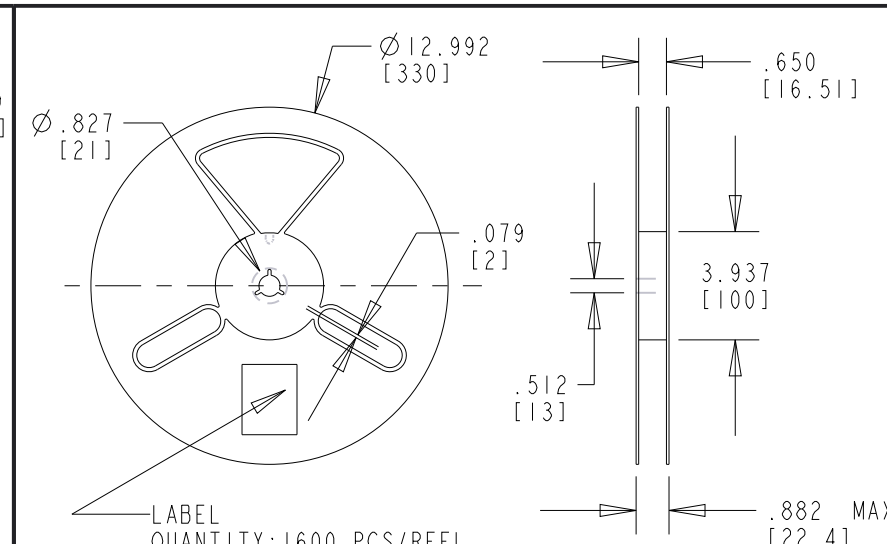
RoHS Compliant 591-2X01-1XXNF

Part Numbers with the "F" suffix ending are RoHS Compliant.  
Example: 591-2001-102F  
Packaging is marked with "RoHS Compliant" label or equivalent markings.  
Parts can be reflow soldered per RoHS reflow profile, wave soldered, dip soldered or hand soldered using typical lead-free soldering process with max 260°C temp. for 5 sec.

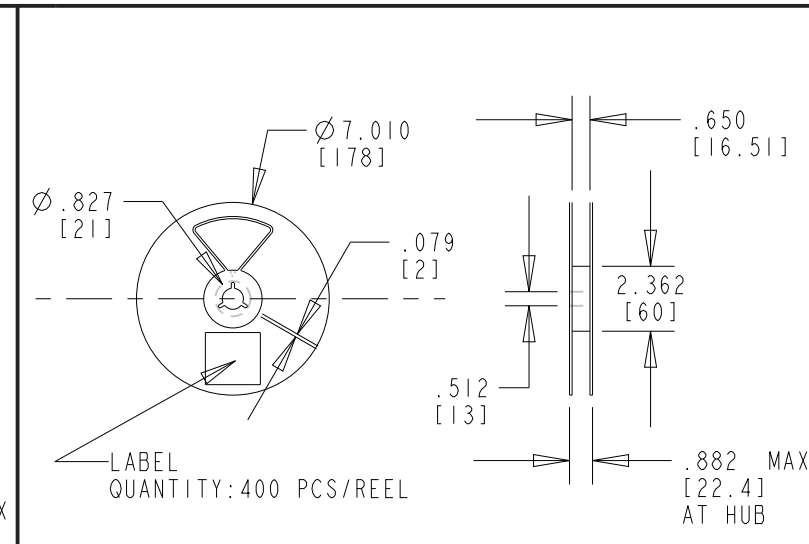
TAPING SPECIFICATION



TOLERANCE: .004 UNLESS OTHERWISE SPECIFIED  
MILLIMETER DIMENSIONS SHOWN FOR REFERENCE ONLY



13 INCH DIA. REEL SPECIFICATIONS



7 INCH DIA. REEL SPECIFICATIONS



ATTENTION:  
OBSERVE PRECAUTIONS FOR  
HANDLING ELECTROSTATIC  
SENSITIVE DEVICES

THIS DRAWING AND THE CONTENTS HEREIN ARE CONFIDENTIAL AND THE SOLE PROPERTY OF DIALIGHT CORP. REPRODUCTION OF THIS DRAWING OR CONSTRUCTION OF ANY PARTS WITHIN THIS DRAWING ARE FORBIDDEN WITHOUT THE WRITTEN CONSENT OF DIALIGHT CORP.		
SCALE: DRAWING SCALE	DRAWING NUMBER	REV
ALL DIM'S IN: INCHES (MM)	C-18498	C
TOLERANCES: UNLESS OTHERWISE SPECIFIED	TITLE SURFACE MOUNT CBI - SQUARE LENS	
FRACTIONS: ±1/64	RoHS COMPLIANT	
DECIMALS (.XX): ±.02	MATERIAL	
DECIMALS (.XXX): ±.010	FINISH	
ANGLES: ±3°	FSCM 83330	
SHEET 1 OF 1 FAMILY TABLES:		

