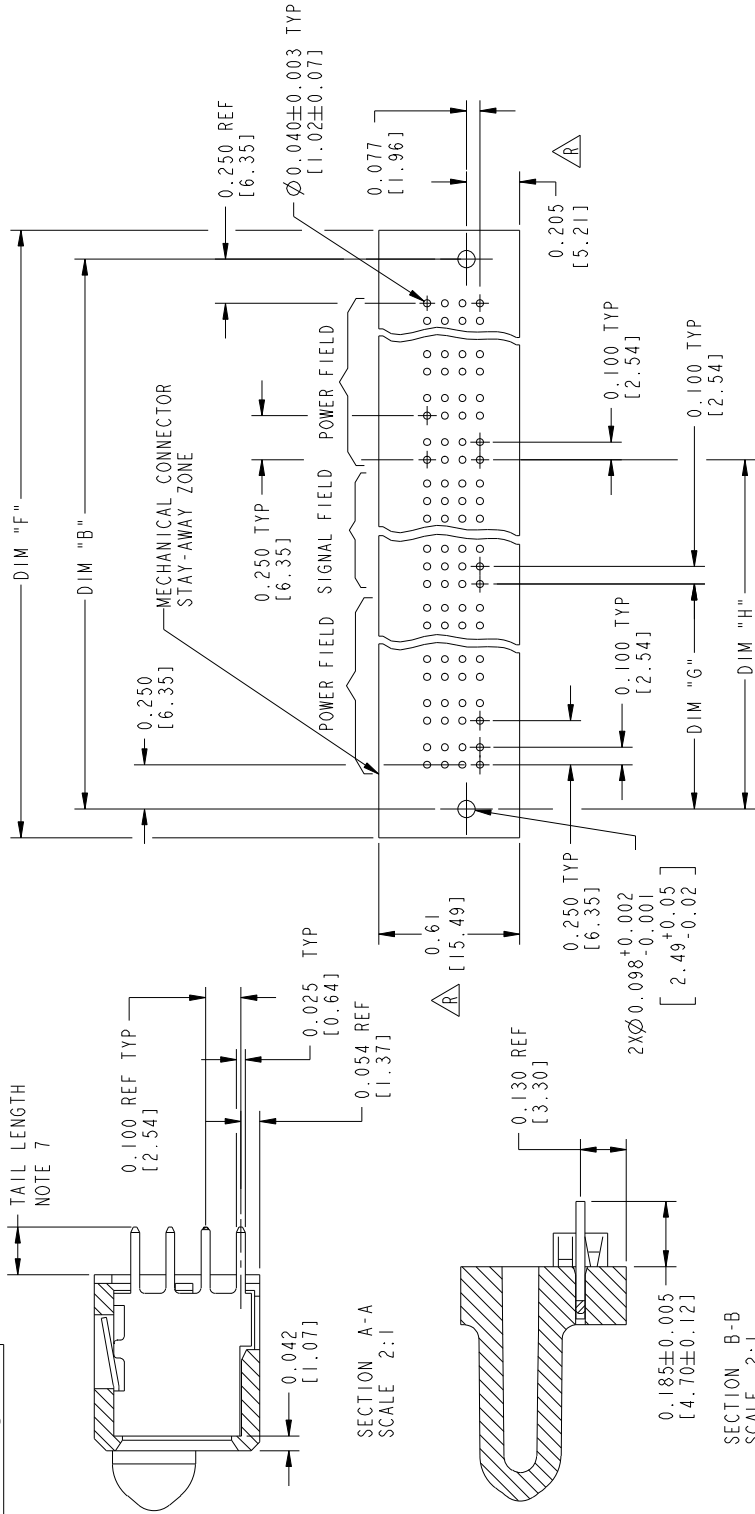


PRODUCT NUMBER
51740-ABBCCDDEF--
NOTE: ①

Tous droits strictement réservés. Reproduction ou communication à des tiers interdite
sous quelque forme que ce soit sans autorisation écrite du propriétaire.
Propriété de c FCI. Droits de reproduction FCI.



All rights strictly reserved. Reproduction or issue to third parties in any
form whatever is not permitted without written authority from the proprietor.
Property of FCI. Copyright FCI.



RECOMMENDED PCB LAYOUT

mat'1 code		SEE NOTE 2		tolerances unless otherwise specified		CUSTOMER		FCI	
lir	ecn no.	dr	date	linear	angles	projection	copy	product family	www.fciconnect.com
R				.XX±.01/0.X±0.3	0°±2°	1st angle	COPY	POWER / SIGNAL / POWER	
				.XXX±.005/0.XX±0.13				PwrBl code	
				.XXXX±.002/0.XXX±.051				code	
								size	2 13
								sheet	3 of 3
								scale	1:1
								INCH/MM	
								dwg no	51740
								sheet	3 of 3
								code	
								Pro/E	
								sheet	
								code	22526
								sheet	4

1 | 2 | 3 | 4