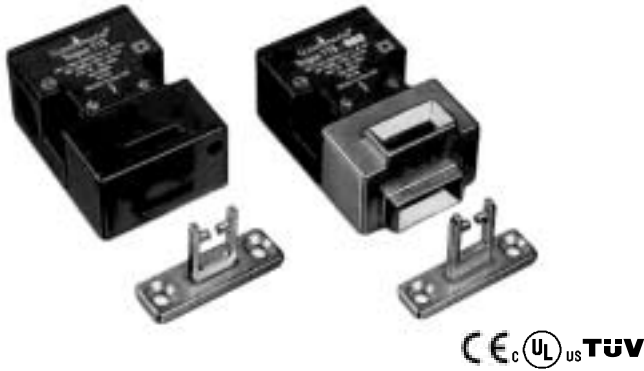


# Trojan T15



## Universal Tongue Operated Safety Interlock Switch

### Description

The Trojan T15 is a compact universal tongue actuated safety interlock switch designed to fit at the opening edge of sliding, hinged or lift-off guards. With its dual entry slots and rotatable head, movable only by releasing the cover screws, the Trojan T15 can offer four different options for actuator entry.

The Trojan T15 features a compact housing, only 75 x 52 x 32mm (2.95 x 2.04 x 1.25in) and includes direct opening action contacts and a tamper-resistant mechanism. The Trojan T15 has 2 N.C. safety contacts or 1 N.C. safety contact and 1 N.O. auxiliary contact. The unit is sealed to IP67 and has three M20 conduit entries.

Operation of the switch is achieved by the insertion of the specially profiled stainless steel actuator which should be permanently fixed to the leading edge of the guard door. The standard T15 incorporates actuator retention force of 30N. An optional catch mechanism helps keep doors shut on vibrating machinery.

### Features

- Compact size, 75 x 52 x 32mm (2.95 x 2.05 x 1.26in) case
- 30N actuator retention force
- Strong and versatile, can be used in most applications
- Contacts: 2 N.C. safety or 1 N.C. safety & 1 N.O. auxiliary (sealed to IP67)
- GD2 version available for demanding applications

### Specifications

|                                      |   |
|--------------------------------------|---|
| Standards                            | IEC 60947-5-1, ISO 14119, ISOTR 12100, IEC 60204-1, EN 1088, EN 292 |
| Approvals                            | CE marked for all applicable directives, cULus and TUV              |
| Safety Contacts                      | 2 N.C. or 1 N.C. direct opening action                              |
| Designation/Utilization Cat.         |   |
| A600/AC-15 (Ue)                      | 600V 500V 240V 120V   |
| (Ie)                                 | 1.2A 1.4A 3A 6A   |
| N600/DC-13 (Ue)                      | 600V 500V 250V 125V   |
| (Ie)                                 | 0.4A 0.55A 1.1A 2.2A  |
| Max. Switched Current/Voltage/Load   | 500V/500VA  |
| Thermal Current (Ith)                | 10A   |
| Minimum Current                      | 5V 5mA DC   |
| Safety Contact Gap                   | >2 x 2mm (0.078in)  |
| Rtd. Insulation Voltage              | (Ui) 500V   |
| Rtd. Impulse Withstand Voltage       | (Uimp) 2500V  |
| Auxiliary Contacts                   | 1 N.O. (only with 1 N.C. safety version)                            |
| Pollution Degree ①                   | 3   |
| Actuator Travel for Positive Opening | 6mm (0.236in)   |
| Minimum Operating Radius             | 175mm (6.89in)<br>60mm (2.36in) with flexible actuator              |
| Break Contact Minimum Force          | 30N (6.7lb)   |
| Maximum Actuation Speed              | 160mm (6.29) per sec  |
| Maximum Actuation Frequency          | 2 Cycle per sec   |
| Case Material                        | UL approved glass filled polybutylene terephthalate                 |
| Actuator Material                    | Stainless Steel   |
| Protection                           | IP67  |
| Conduit Entry                        | 3 x M20   |
| Operating Temperature                | -20°C to +80°C (-4°F to +176°F)                                     |
| Fixing                               | 2 x M5  |
| Mounting                             | Any position  |
| Mechanical Life                      | 1,000,000 operations  |
| Electrical Life                      | 1,000,000 operations  |
| Weight                               | 120g (0.265lbs)   |
| Color                                | Red   |

① Conductive pollution occurs, or dry, nonconductive pollution occur which becomes conductive due to condensation.



# Trojan T15

## Ordering Details

| Model Type | Conduit | BBM/MBB | Adaptor        | Actuator            | Safety Contacts | Auxiliary Contacts | Catalog Number |
|------------|---------|---------|----------------|---------------------|-----------------|--------------------|----------------|
| Standard   | M20     | BBM     | —              | —                   | 2 N.C.          | —                  | 440K-T11269    |
|            |         |         |                |                     | 1 N.C.          | 1 N.O.             | 440K-T11270    |
|            |         |         | M20 to 1/2 NPT | Standard            | 2 N.C.          | —                  | 440K-T11267    |
|            |         |         |                | Fully flex actuator |                 |                    | 440K-T11273    |
|            |         |         |                | Standard            | 1 N.C.          | 1 N.O.             | 440K-T11268    |
|            |         |         |                | Fully flex actuator |                 |                    | 440K-T11276    |
| GD2        | M20     | BBM     | —              | —                   | 2 N.C.          | —                  | 440K-T11280    |
|            |         |         |                |                     | 1 N.C.          | 1 N.O.             | 440K-T11279    |
|            |         |         | M20 to 1/2 NPT | GD2 Standard        | 2 N.C.          | —                  | 440K-T11288    |
|            |         |         |                | Fully flex actuator |                 |                    | 440K-T11287    |
|            |         |         |                | GD2 Standard        | 1 N.C.          | 1 N.O.             | 440K-T11284    |
|            |         |         |                | Fully flex actuator |                 |                    | 440K-T11283    |


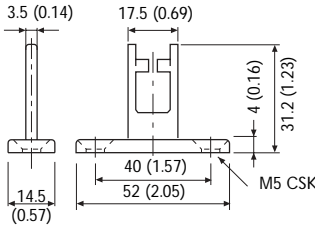

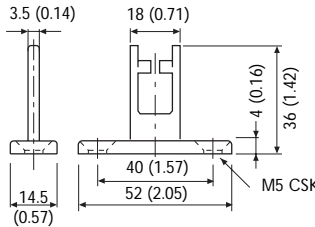
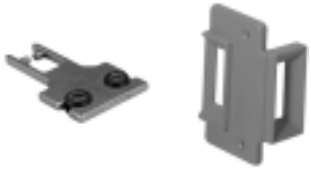
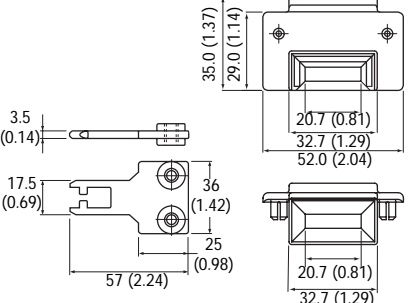

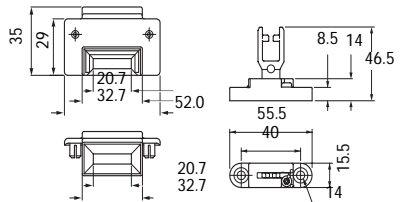

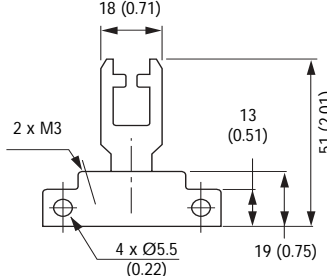

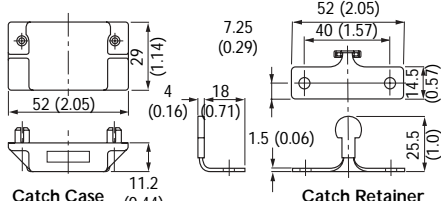
Interlock Switches



# Trojan T15

## Accessories

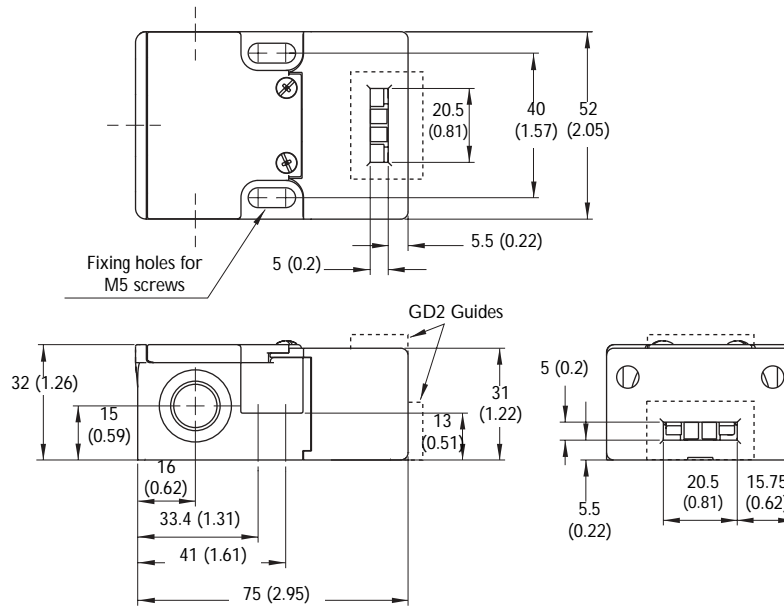
Interlock Switches

| Description   |   | Dimensions—mm (inches)  | Catalog Number     |
|---|---|---|--------------------|
|    | <p>Standard Actuator<br/>(Standard model only)</p>  |  <p>3.5 (0.14) 17.5 (0.69)<br/>14.5 (0.57) 40 (1.57) 52 (2.05) M5 CSK<br/>4 (0.16) 31.2 (1.23)</p>  | <p>440K-A11238</p> |
|    | <p>GD2 Standard Actuator<br/>(GD2 model only)</p>   |  <p>3.5 (0.14) 18 (0.71)<br/>14.5 (0.57) 40 (1.57) 52 (2.05) M5 CSK<br/>4 (0.16) 36 (1.42)</p>  | <p>440G-A27011</p> |
|   | <p>Flat Actuator<br/>(Discard the Alignment Guide for GD2)</p>                                |  <p>3.5 (0.14) 17.5 (0.69) 36 (1.42) 25 (0.98) 57 (2.24)<br/>35.0 (1.37) 29.0 (1.14) 20.7 (0.81) 32.7 (1.29) 52.0 (2.04) 20.7 (0.81) 32.7 (1.29)</p>           | <p>440K-A11112</p> |
|  | <p>Alignment Guide with Semi-flexible Actuator<br/>(Discard the Alignment Guide for GD2)</p>  |  <p>35 29 20.7 32.7 52.0 8.5 14 46.5 55.5 40 20.7 32.7 15.5 4</p>   | <p>440K-A11144</p> |
|  | <p>Alignment Guide with Fully-flexible Actuator<br/>(Discard the Alignment Guide for GD2)</p> |  <p>18 (0.71) 13 (0.51) 51 (2.01) 19 (0.75) 4 x Ø5.5 (0.22) 2 x M3</p>  | <p>440K-A27010</p> |
|  | <p>Catch and Retainer Kit<br/>(Standard Model Only)</p>                                       |  <p>7.25 (0.29) 52 (2.05) 40 (1.57) 14.5 (0.57) 29 (1.14) 4 (0.16) 18 (0.71) 1.5 (0.06) 25.5 (1.0) 11.2 (0.44) 19 (0.75)</p> <p>Catch Case Catch Retainer</p> | <p>440K-A11094</p> |



# Trojan T15

## Dimensions—mm (in)

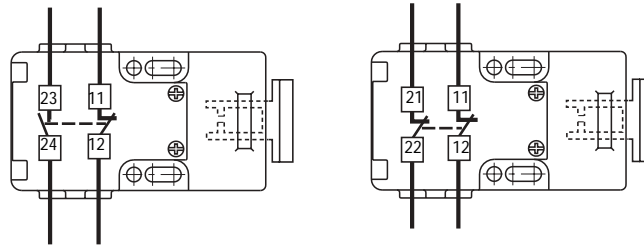


## Connections (shown with guard closed, actuator inserted)

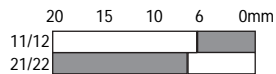
### Contact Action

□ Contact Open ■ Contact Closed

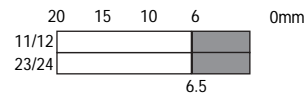
Actuator withdrawal distance from full insertion



1 N.C. & 1 N.O. version: BBM



2 N.C. version



Interlock Switches

